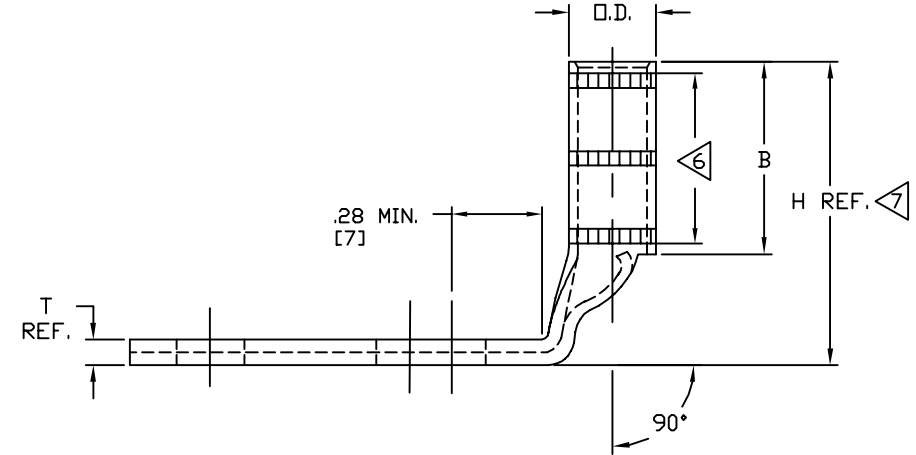
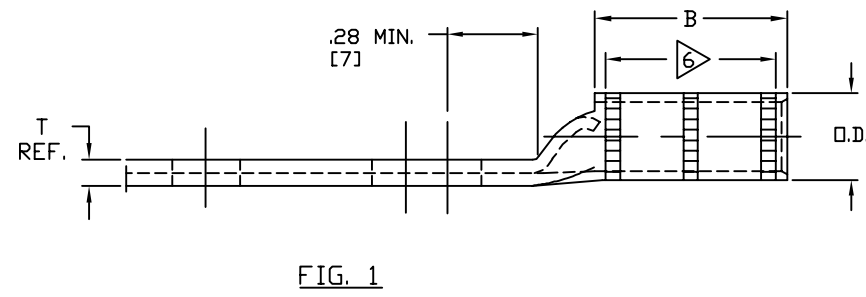
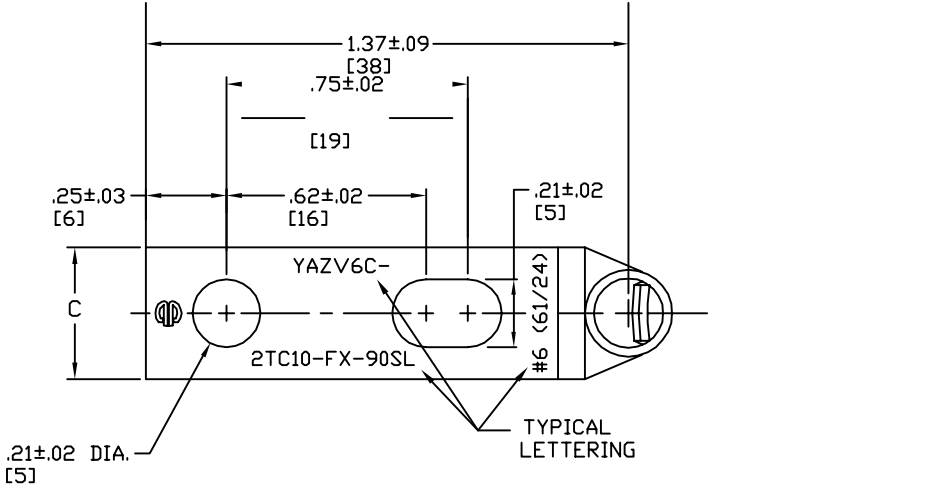
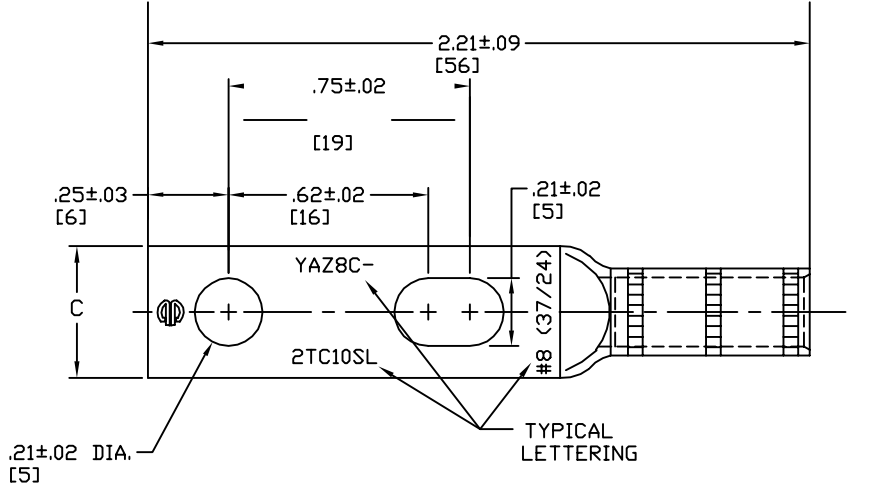


| CATALOG NO. | CONDUCTOR | | | | BOLT SIZE | METRIC BOLT SIZE | FIG. NO. | DIMENSIONS | | | | | DIE INDEX | COLOR CODE | BURNDY INSTALLATION TOOLING (# CRIMPS) | | | | Y122CMR | WIRE STRIP LENGTH | |
|-----------------------------------|------------------|-------------|------|--------|-----------|------------------|----------|-------------|-------------|--------------|------------|------------|----------------|------------|--|-------------------------------------|---------------------------|-----------|---|-------------------|--------------------|
| | FLEX | CODE (AWG.) | NAVY | METRIC | | | | B | C | H REF. | O.D. ±.01 | T REF. | | | MECHANICAL | | HYDRAULIC | | | | DIELESS (# CRIMPS) |
| | | | | | | | | | | | | | | | MD7-34R DUR840 MD6 | BCT500HS Y500CTHS | Y35, Y39, Y750 Y46 PAT750 | Y45 | | | |
| YAZ8C-2TC10-90SL ⁸ | #8 WELD 37/24 | #8 AWG. | 23 | ----- | #10 | M5 | 2 | .75 [19] | .41 [10] | 1.00 [25] | .27 [7] | .08 [2] | 49 | RED | W8CRT (2) W8CVT (2) X8CRT (2) | W8CRT (2) W8CVT (2) X8CRT (2) | U8CRT (2) | U8CRT (2) | MRC840(2) MY29-3(2) MY29-11(2) Y8MRB-1(2) Y1MRTC(2) Y81KFT(2) Y81KFTMBH(1) PAT81KFT-18V(1) | 2CRIMPS | 7/8 |
| YAZ8C-2TC10SL | #8 WELD 37/24 | #8 AWG. | 23 | ----- | #10 | M5 | 1 | .75 [19] | .41 [10] | --- | .27 [7] | .08 [2] | 49 | RED | W8CRT (2) W8CVT (2) X8CRT (2) | W8CRT (2) W8CVT (2) X8CRT (2) | U8CRT (2) | U8CRT (2) | Y81KFT(2) Y81KFTMBH(1) PAT81KFT-18V(1) | 2CRIMPS | 7/8 |
| YAZV6C-2TC10-FX-90SL ⁹ | #6 WELD 61/24 | #6 AWG. | 30 | ----- | #10 | M5 | 2 | .75 [19] | .48 [12] | .97 [25] | .31 [8] | .08 [2] | 7 OR 374 | BLUE | W5CRT(2) X5CRT(2) W5CVT(2) | W5CRT(2) X5CRT(2) W5CVT(2) | U5CRT (2) | U5CRT (2) | MY29-11(2) Y644HS(1) Y1MRTC(2) Y81KFTMBH(1) Y81KFT(1) PAT81KFT-18V(1) | 2CRIMPS | 1-3/16" |



NOTES:

- MATERIAL: COPPER TUBING.
- FINISH: TIN PLATED.
- CATALOG # PT6515 ADAPTOR IS REQUIRED TO USE 'U' DIES IN Y45 SERIES TOOLS.
- CATALOG # PUADP-1 ADAPTOR IS REQUIRED TO USE 'U' DIES IN Y46 SERIES TOOLS.
- DIMENSIONS IN [] BRACKETS ARE IN MILLIMETERS, ROUNDED OFF TO THE NEAREST MILLIMETER UNLESS OTHERWISE NOTED, AND ARE FOR REFERENCE ONLY.
- OVERLAP 2 CRIMPS AS NEEDED WITHIN THE LENGTH BETWEEN THE INK STAMPED CRIMP AREA.
- 'H' HEIGHT NOT TO EXCEED 1.00 INCH HIGH ON EITHER CONNECTOR.
- THESE CATALOG NUMBERS CANNOT BE INSTALLED WITH U8CRT DIE
- THESE CATALOG NUMBERS CANNOT BE INSTALLED WITH U5CRT DIE

TO ORDER BURNDY® PRODUCTS CALL
 UNITED STATES:
 1-800-346-4175 (LONDONDERRY, NH)
 CANADA:
 1-800-361-6975 (QUEBEC)
 1-800-387-6487 (ALL OTHER PROVINCES)
 FOR PRODUCT INFO: <http://www.burndy.com>

| | |
|----------------------------------|---------|
| HYLUG™ | |
| ITEM NO: N/A | |
| CAT NO: YAZ, YAZV-2TC-SL (TABLE) | |
| SCALE: NTS | |
| DRAWN BY: BMICHAUD | 3/10/99 |
| CHECKER: KHENRY | 3/10/99 |
| DSN APPVL: BMACDONALD | 3/3/99 |
| MFG APPVL: N/A | -- |
| QC APPVL: JBRODEUR | 3/8/99 |
| MKT APPVL: N/A | -- |
| PROJ #: | SIZE |
| DOCUMENT TYPE: Sales | D |
| REL LEVEL: Autocad | |
| DRAWING NO | REV |
| SE212012-01 | C |
| SHEET 1 OF 1 | |

| | | | | | |
|------|------------|------------------|-------|-----|-------|
| C | 08/05/2015 | DRAWING RELEASED | 41185 | BSB | RG |
| REV. | DATE | DESCRIPTION | ECO | BY | C/K/D |