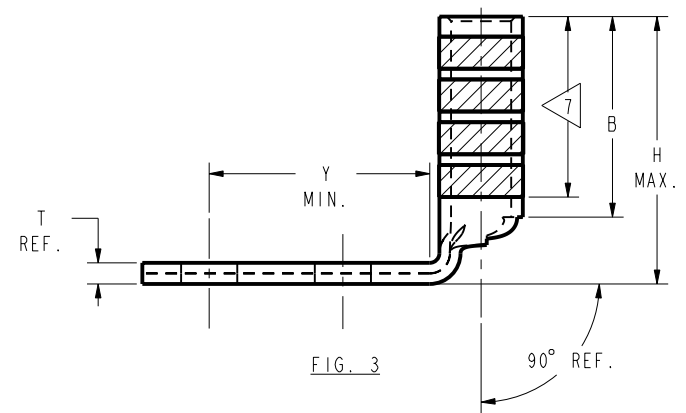
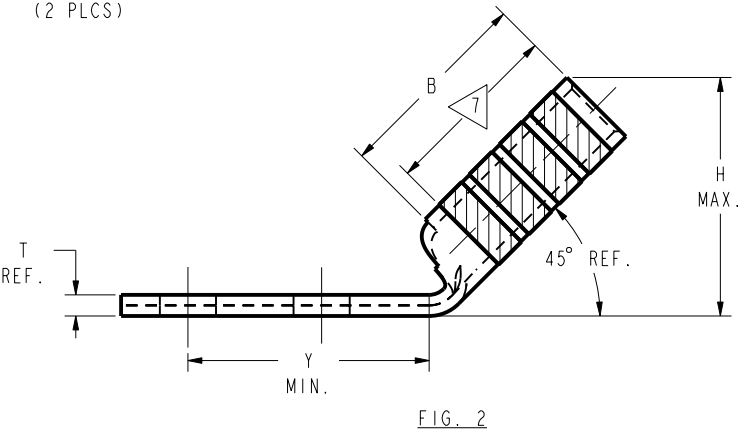
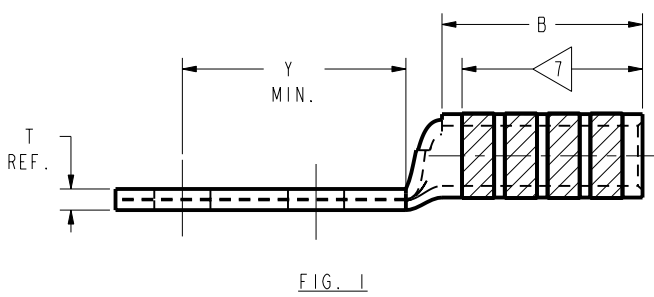
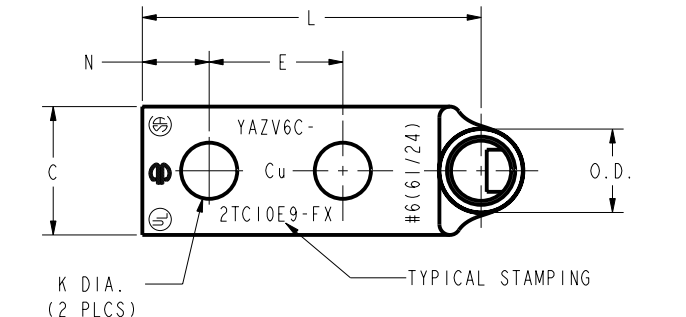
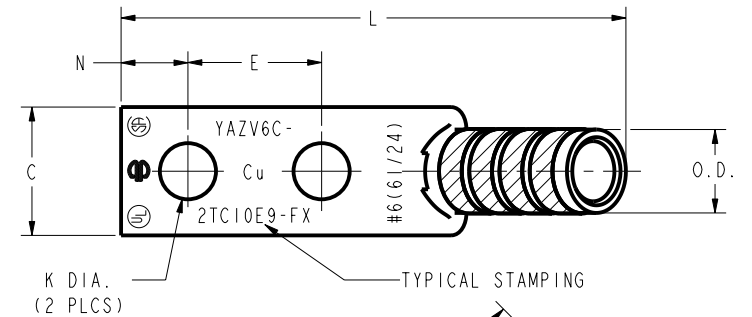
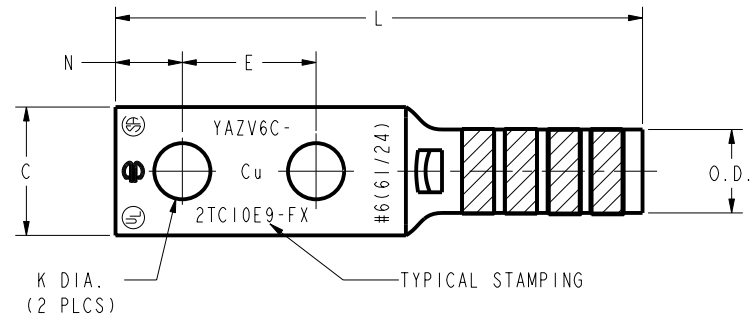


REV	DATE	DESCRIPTION	ECO	BY	CHK
C	08/18/2015 00:00:00 AM	ADD NOTE 8	41306	BSB	RG

CATALOG NO.	CONDUCTOR		BOLT SIZE	FIG. NO.	DIMENSIONS										INSTALLATION TOOLING (# CRIMPS)																													
	FLEX	CODE (AWG)			B	C	E	H MAX.	K DIA.	L	N	O.D.	T REF.	Y MIN.	DIE INDEX	COLOR CODE	MECHANICAL				HYDRAULIC			DIELESS (# CRIMPS)	WIRE STRIP LENGTH																			
																	MD7-34R	OUR840	Y2MR	BCT500 Y500CT	Y750 Y35, BAT35 Y39, BAT750	Y46	Y45																					
YAZV6C2TC10E9FX	#6 WELD 61/24	#6 AWG	.75 [19]	.48 [12]	.50 [13]	---	.21 [5]	1.97 [50]	.25 [6]	.31 [8]	.08 [2]	.78 [20]	7 OR 374	BLUE	7	7	BLUE (2)	7	7	7	7	7	MECHANICAL: MY29-11 (1) HYDRAULIC: Y644, Y644M Y644MBH, 1 CRIMP	1-3/16																				
YAZV6C2TC10E9FX45	↑	↑	↑	↑	↑	↑	↑	↑	↑	↑	↑	↑	↑	↑	↑	↑	↑	↑	↑	↑	↑	↑	↑																					
YAZV6C2TC10E9FX90																								8	7	7	7	7	7	7	7	7	7	7	7	7	7	7	7	7	7	7	7	7
YAZV6C2TC10FX																								1	1	1	1	1	1	1	1	1	1	1	1	1	1	1	1	1	1	1	1	1
YAZV6C2TC10FX45	↓	↓	↓	↓	↓	↓	↓	↓	↓	↓	↓	↓	↓	↓	↓	↓	↓	↓	↓	↓	↓	↓	↓	↓																				
YAZV6C2TC10FX90																									8	2	2	2	2	2	2	2	2	2	2	2	2	2	2	2	2	2	2	2
YAZV6C2TC10FX90	#6 WELD 61/24	#6 AWG	.75 [19]	.48 [12]	.62 [16]	---	.21 [5]	2.10 [53]	.25 [6]	.31 [8]	.08 [2]	.90 [23]	7 OR 374	BLUE	7	7	BLUE (2)	7	7	7	7	7	1-3/16																					



- NOTES:
- MATERIAL: COPPER TUBING.
 - FINISH: TIN PLATED.
 - CATALOG # PT6515 ADAPTOR IS REQUIRED TO USE "U" DIES IN Y45 SERIES TOOLS.
 - CATALOG # PUADP-1 ADAPTOR IS REQUIRED TO USE "U" DIES IN Y46 SERIES TOOLS.
 - PERMANENT DIE IN TOOLING.
 - DIMENSIONS IN BRACKETS [] ARE IN MILLIMETERS ROUNDED OFF TO THE NEAREST MILLIMETER, UNLESS OTHERWISE NOTED, AND ARE FOR REFERENCE ONLY.
 - OVERLAP 2 CRIMPS AS NEEDED WITHIN THE LENGTH BETWEEN THE INK STAMPED CRIMPING AREA.
 - THESE CATALOG NUMBERS CANNOT BE INSTALLED WITH USCRT DIE.

TO ORDER BURNDY® PRODUCTS CALL		HYLUG™ (TWO HOLE FLEX)	
UNITED STATES 1-800-346-4175 (LONDONDERRY, NH)		ITEM NO: N/A	CAT. NO: SEE TABLE
CANADA: 1-800-361-6975 (QUEBEC) 1-800-387-6487 (ALL OTHER PROVINCES)		DRAWN BY: D BOISVERT 8/19/99	CHECKER: K HENRY 8/26/99
FOR PRODUCT INFO: http://www.burndy.com		DSN APPVL: RR TEAM 9/28/99	MFG APPVL: --
		QA APPVL: J BRODEUR 10/6/99	MKT APPVL: R ROBICHEAU 10/5/99
		PROJ #: --	SCALE: NTS
		SIZE: D	DRAWING NO: SE212273
		DOCUMENT TYPE: Sales	SHEET 1 OF 48
		REL LEVEL: Released	REV: C

REV: PE0200