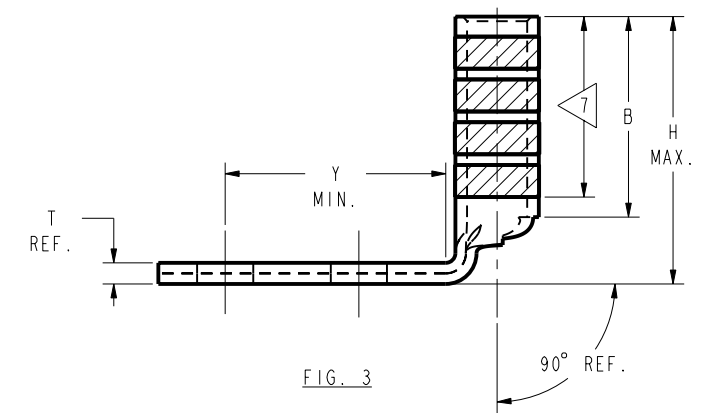
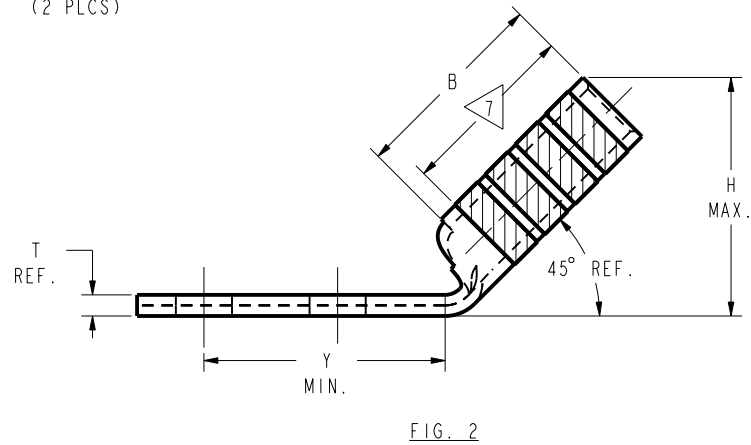
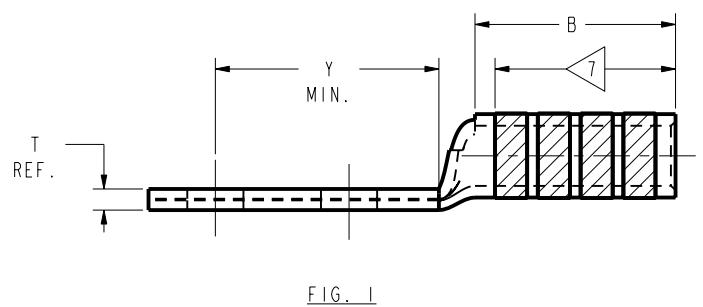
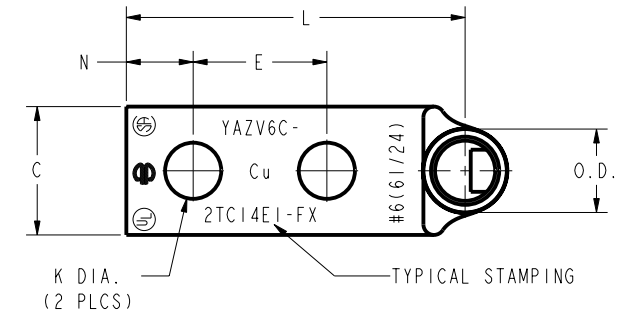
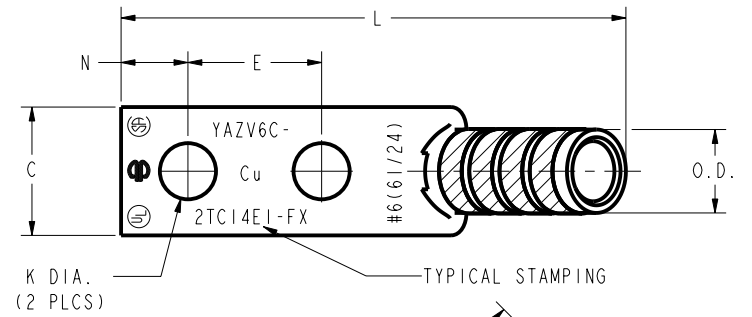
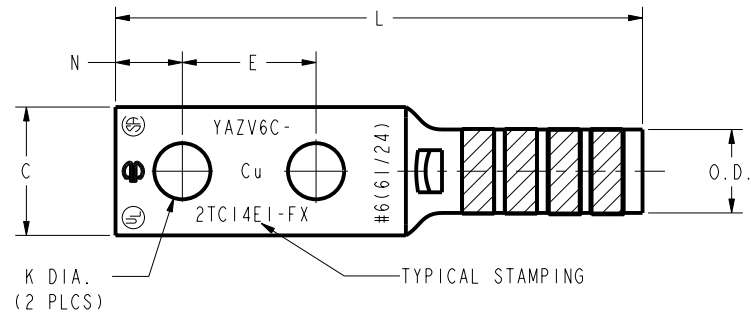


REV	DATE	DESCRIPTION	ECO	BY	C'H'K.
C	08/18/2015 00:00:00 AM	ADD NOTE 8	41306	BSB	RG

CATALOG NO.	CONDUCTOR		BOLT SIZE	FIG. NO.	DIMENSIONS										INSTALLATION TOOLING (# CRIMPS)										
	FLEX	CODE (AWG)			B	C	E	H MAX.	K DIA.	L	N	O.D.	T REF.	Y MIN.	DIE INDEX	COLOR CODE	MECHANICAL				HYDRAULIC			DIELESS (# CRIMPS)	WIRE STRIP LENGTH
																	MD7-34R	OUR840	Y2MR	BCT500 Y500CT	Y750 Y35, BAT35 Y39, BAT750	Y46	Y45		
YAZV6C2TC14EIFX	#6 WELD 61/24	#6 AWG	.75 [19]	.48 [12]	1.00 [25]	---	.27 [7]	2.60 [66]	.31 [8]	.08 [2]	1.34 [34]	7 OR 374	BLUE	7	7	BLUE (2)	7	7	7	7	7	MECHANICAL: MY29-11 (1) HYDRAULIC: Y644, Y644M Y644MBH, 1 CRIMP	1-3/16		
YAZV6C2TC14EIFX45						.94 [24]		2.58 [66]		.31 [8]															
YAZV6C2TC14EIFX90						1.00 [25]		1.88 [48]																	
YAZV6C2TC516FX						---		2.66 [68]		.07 [2]	1.37 [35]														
YAZV6C2TC516FX45						.94 [24]	.33 [8]	2.63 [67]		.34 [9]															
YAZV6C2TC516FX90	#6 WELD 61/24	#6 AWG	.75 [19]	.52 [13]	1.00 [25]	1.00 [25]		1.95 [50]		.31 [8]												1-3/16			



- NOTES:
1. MATERIAL: COPPER TUBING.
 2. FINISH: TIN PLATED.
 3. CATALOG # PT6515 ADAPTOR IS REQUIRED TO USE "U" DIES IN Y45 SERIES TOOLS.
 4. CATALOG # PUADP-1 ADAPTOR IS REQUIRED TO USE "U" DIES IN Y46 SERIES TOOLS.
 5. PERMANENT DIE IN TOOLING.
 6. DIMENSIONS IN BRACKETS [] ARE IN MILLIMETERS ROUNDED OFF TO THE NEAREST MILLIMETER, UNLESS OTHERWISE NOTED, AND ARE FOR REFERENCE ONLY.
 7. OVERLAP 2 CRIMPS AS NEEDED WITHIN THE LENGTH BETWEEN THE INK STAMPED CRIMPING AREA.
 8. THESE CATALOG NUMBERS CANNOT BE INSTALLED WITH USCRT DIE.

TO ORDER BURNDY® PRODUCTS CALL

UNITED STATES
1-800-346-4175 (LONDONDERRY, NH)

CANADA:
1-800-361-6975 (QUEBEC)
1-800-387-6487 (ALL OTHER PROVINCES)

FOR PRODUCT INFO: <http://www.burndy.com>

HYLUG™ (TWO HOLE FLEX)

ITEM NO:	N/A
CAT. NO:	YAZV6C- (TABLE)
DRAWN BY:	D BOISVERT 8/19/99
CHECKER:	K HENRY 8/26/99
DSN APPVL:	RR TEAM 9/28/99
MFG APPVL:	--
QA APPVL:	J BRODEUR 10/6/99
MKT APPVL:	R ROBICHEAU 10/5/99
PROD FAM:	--
PROJECT #:	--
DOCUMENT TYPE:	Sales
REL LEVEL:	Released

SCALE: NTS

DRAWING NO. SE212273

REV. C

SHEET 4 OF 48

REV: PE0200