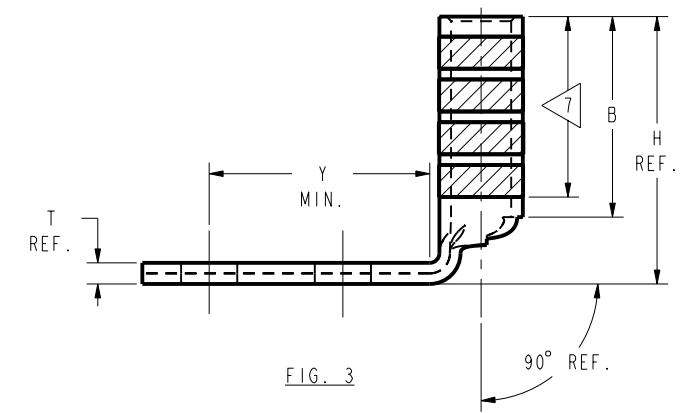
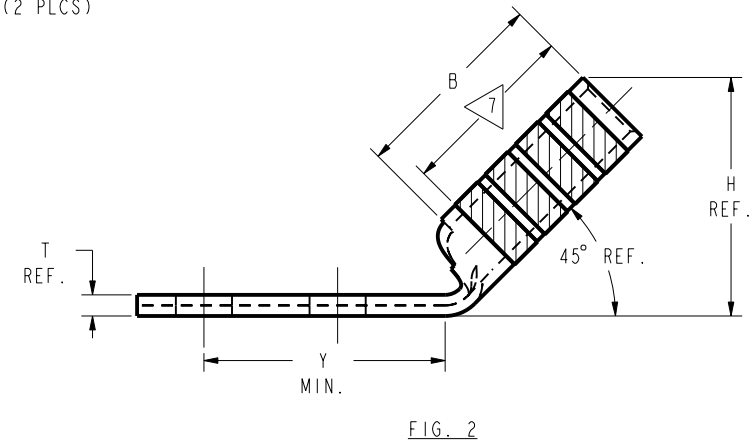
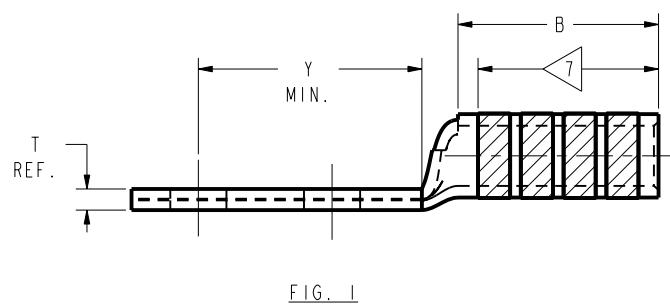
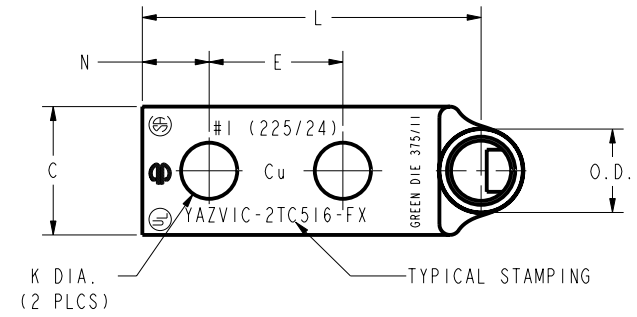
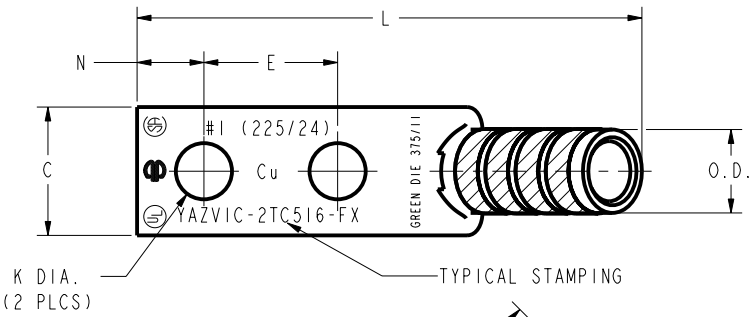
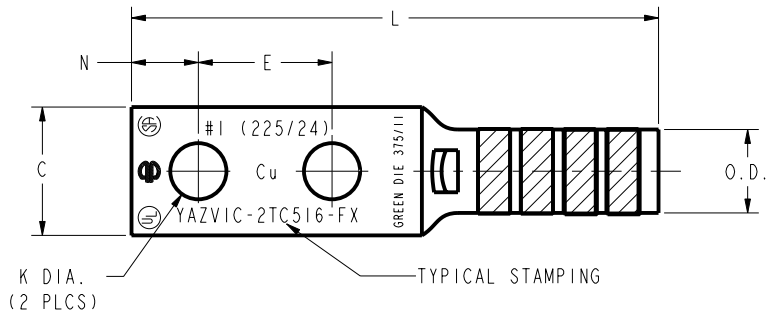


REV	DATE	DESCRIPTION	ECO	BY	C'H'K.
B	1/11/2001 12:00:00 AM	REDRAW AND CATALOG NUMBER UPDATON OF SALES DRAWINGS	17057	BSB	BSK

CATALOG NO.	CONDUCTOR		BOLT SIZE	FIG. NO.	DIMENSIONS										INSTALLATION TOOLING (# CRIMPS)										
	FLEX	CODE (AWG)			B	C	E	H	K DIA.	L	N	O.D.	T REF.	Y MIN.	DIE INDEX	COLOR CODE	MECHANICAL		HYDRAULIC			DIELESS (# CRIMPS)	WIRE STRIP LENGTH		
																	MD7-34R	OUR840	BCT500 Y500CT	Y750 Y35, BAT35 Y39, BAT750	Y46			Y45	
YAZVIC2TC516FX	#1 WELD 175/24 225/24	#1 AWG	5/16 [M8]	1	1.38 [35]	.75 [19]	1.00 [25]	---	.33 [8]	3.47 [88]	.34 [9]	.51 [13]	.12 [3]	1.37 [35]	11 OR 375	GREEN	7	7	7	7	7	MECHANICAL: MY29-11 (1) HYDRAULIC: Y644, Y644M Y644MBH, (1)	1-7/16		
YAZVIC2TC516FX45					2			1.63 [41]		3.24 [82]							WICVT XICRT WICRT (2)	XICRT WICVT (2)	WICVT XICRT WICRT (2)	UICRT-1 (2)	UICRT-1 (2)			UICRT-1 (2)	
YAZVIC2TC516FX90					3			1.96 [50]		2.08 [53]															
YAZVIC2TC38FX	#1 WELD 175/24 225/24	#1 AWG	3/8 [M10]	1	1.38 [35]	.75 [19]	1.00 [25]	---	.40 [10]	3.60 [91]	.41 [10]	.51 [13]	.12 [3]	1.43 [36]	11 OR 375	GREEN	7	7	7	7	MECHANICAL: MY29-11 (1) HYDRAULIC: Y644, Y644M Y644MBH, (1)	1-7/16			
YAZVIC2TC38FX45								2		1.63 [41]							3.37 [86]	WICVT XICRT WICRT (2)	XICRT WICVT (2)	WICVT XICRT WICRT (2)			UICRT-1 (2)	UICRT-1 (2)	UICRT-1 (2)
YAZVIC2TC38FX90								3		1.96 [50]							2.20 [56]								



NOTES:

- MATERIAL: COPPER TUBING.
- FINISH: TIN PLATED.
- CATALOG # PT6515 ADAPTOR IS REQUIRED TO USE "U" DIES IN Y45 SERIES TOOLS.
- CATALOG # PUADP-1 ADAPTOR IS REQUIRED TO USE "U" DIES IN Y46 SERIES TOOLS.
- PERMANENT DIE IN TOOLING.
- DIMENSIONS IN BRACKETS [] ARE IN MILLIMETERS ROUNDED OFF TO THE NEAREST MILLIMETER, UNLESS OTHERWISE NOTED, AND ARE FOR REFERENCE ONLY.
- CRIMP (# OF CRIMPS PER TABLE) WITHIN THE LENGTH BETWEEN THE INK STAMPED CRIMPING AREA.

TO ORDER BURNDY® PRODUCTS CALL		HYLUG™ (TWO HOLE FLEX)	
UNITED STATES 1-800-346-4175 (LONDONDERRY, NH)		ITEM NO: N/A	CAT. NO: YAZVIC- (TABLE)
CANADA: 1-800-361-6975 (QUEBEC) 1-800-387-6487 (ALL OTHER PROVINCES)		DRAWN BY: D BOISVERT 8/19/99	CHECKER: K HENRY 8/26/00
FOR PRODUCT INFO: http://www.fciconnect.com		DSN APPVL: RR TEAM 9/28/00	MFG APPVL: --
		QA APPVL: J BRODEUR 10/6/99	MKT APPVL: R ROBICHEAU 10/5/99
		PROJ #: --	SCALE: NTS
		DOCUMENT TYPE: Sales	DRAWING NO: SE212273
		REL LEVEL: Released	REV: B
		SIZE: D	SHEET 18 OF 48

REV: PE0200