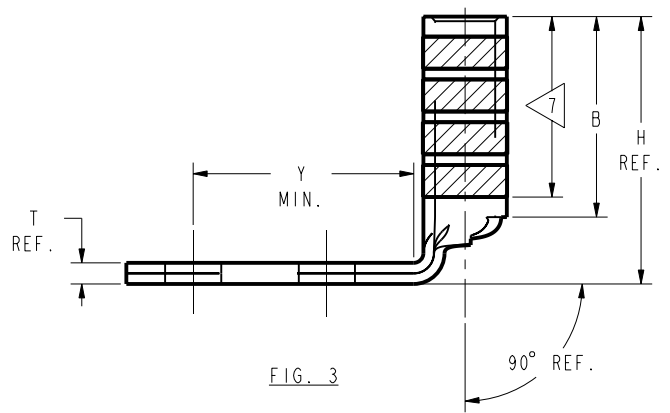
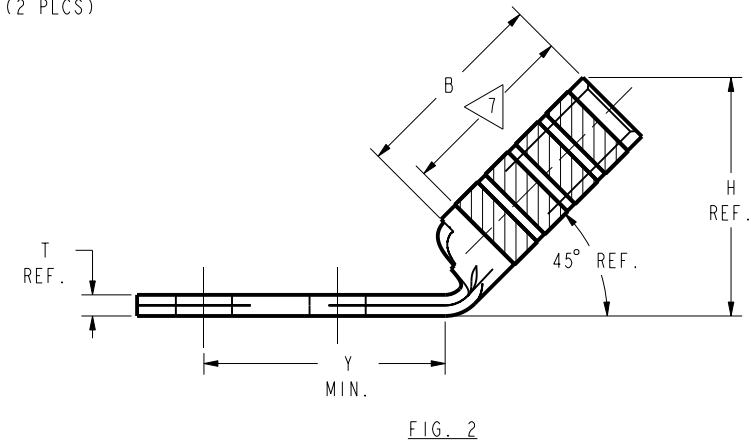
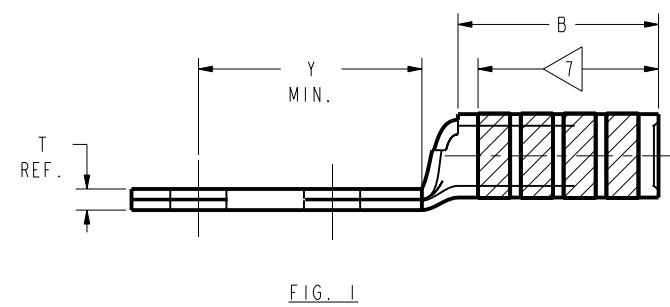
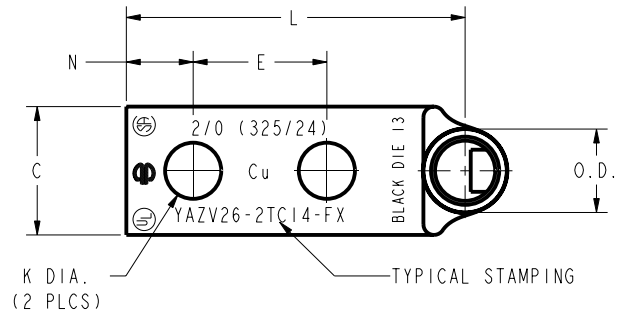
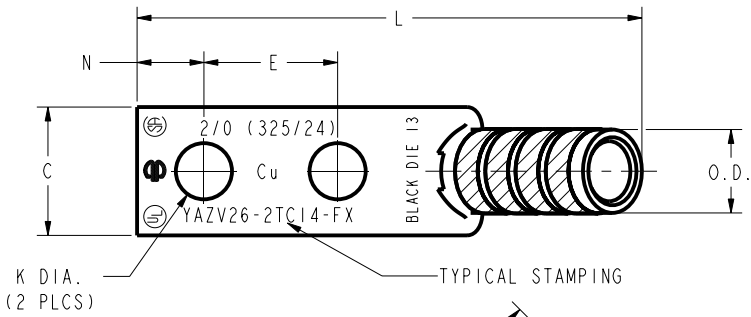
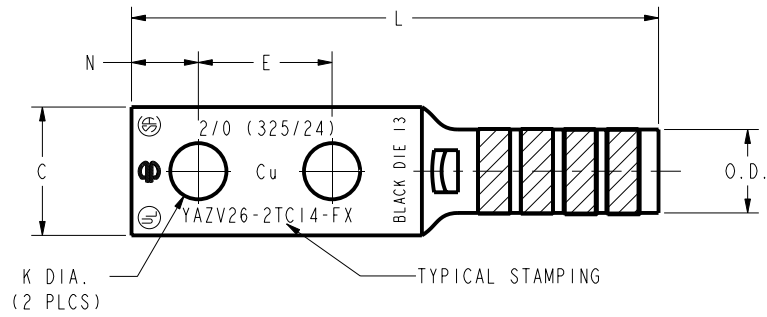


REV	DATE	DESCRIPTION	ECO	BY	C'H'K.
B	1/11/2001 12:00:00 AM	REDRAW AND CATALOG NUMBER UPDATON OF SALES DRAWINGS	17057	BSB	BSK

CATALOG NO.	CONDUCTOR		BOLT SIZE	FIG. NO.	DIMENSIONS										INSTALLATION TOOLING (# CRIMPS)								
	FLEX	CODE (AWG)			B	C	E	H REF.	K DIA.	L	N	O.D.	T REF.	Y MIN.	DIE INDEX	COLOR CODE	MECHANICAL		HYDRAULIC		DIELESS (# CRIMPS)	WIRE STRIP LENGTH	
																	MD7-34R	OUR840	BCT500 Y500CT	Y750 Y35, BAT35 Y39, BAT750			Y46
YAZV262TC14FX	2/0 WELD 325/24	1/0 AWG [70mm <sup>2</sup> STR.]	1/4 [M6]	1	1.50 [38]	.93 [24]	.62 [16]	---	.27 [7]	3.20 [81]	.31 [8]	.63 [16]	.13 [3]	.96 [24]	13	BLACK	7	7	7	7	7	MECHANICAL: MY29-11 (1) HYDRAULIC: Y644, Y644M Y644MBH, (1)	1-9/16
YAZV262TC14FX45					2			2.92 [74]		3.32 [84]							3.05 [77]	1.09 [28]					
YAZV262TC14FX90					3			1.66 [42]		1.78 [45]							1.79 [45]	---					
YAZV262TC14E2FX	2/0 WELD 325/24	1/0 AWG [70mm <sup>2</sup> STR.]	1/4 [M6]	1	1.50 [38]	.93 [24]	.75 [19]	---	.27 [7]	3.32 [84]	.31 [8]	.63 [16]	.13 [3]	1.09 [28]	13	BLACK	7	7	7	7	MECHANICAL: MY29-11 (1) HYDRAULIC: Y644, Y644M Y644MBH, (1)	1-9/16	
YAZV262TC14E2FX45								2		3.05 [77]							1.78 [45]	1.79 [45]	---				
YAZV262TC14E2FX90								3		1.79 [45]							2.12 [54]	2.12 [54]	---				



NOTES:

- MATERIAL: COPPER TUBING.
- FINISH: TIN PLATED.
- CATALOG # PT6515 ADAPTOR IS REQUIRED TO USE "U" DIES IN Y45 SERIES TOOLS.
- CATALOG # PUADP-1 ADAPTOR IS REQUIRED TO USE "U" DIES IN Y46 SERIES TOOLS.
- PERMANENT DIE IN TOOLING.
- DIMENSIONS IN BRACKETS [ ] ARE IN MILLIMETERS ROUNDED OFF TO THE NEAREST MILLIMETER, UNLESS OTHERWISE NOTED, AND ARE FOR REFERENCE ONLY.
- CRIMP (# OF CRIMPS PER TABLE) WITHIN THE LENGTH BETWEEN THE INK STAMPED CRIMPING AREA.

TO ORDER BURNDY® PRODUCTS CALL		HYLUG™ (TWO HOLE FLEX)	
UNITED STATES 1-800-346-4175 (LONDONDERRY, NH)		ITEM NO: N/A	CAT. NO: YAZV26- (TABLE)
CANADA: 1-800-361-6975 (QUEBEC) 1-800-387-6487 (ALL OTHER PROVINCES)		DRAWN BY: B MICHAUD 8/19/99	CHECKER: K HENRY 8/26/99
FOR PRODUCT INFO: <a href="http://www.burndy.com">http://www.burndy.com</a>		DSN APPVL: RR TEAM 9/28/99	MFG APPVL: -- --
		QA APPVL: J BRODEUR 10/6/99	MKT APPVL: R ROBICHEAU 10/5/99
		PROJ #: --	SCALE: NTS
		DOCUMENT TYPE: Sales	DRAWING NO: SE212273
		REL LEVEL: Released	REV: B
		SIZE: D	SHEET 24 OF 48

REV: PE0200