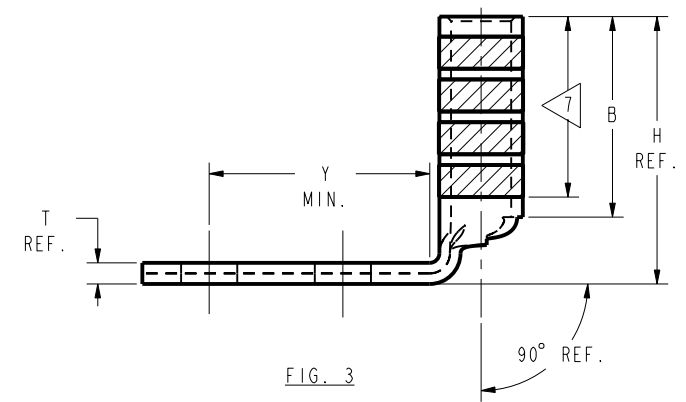
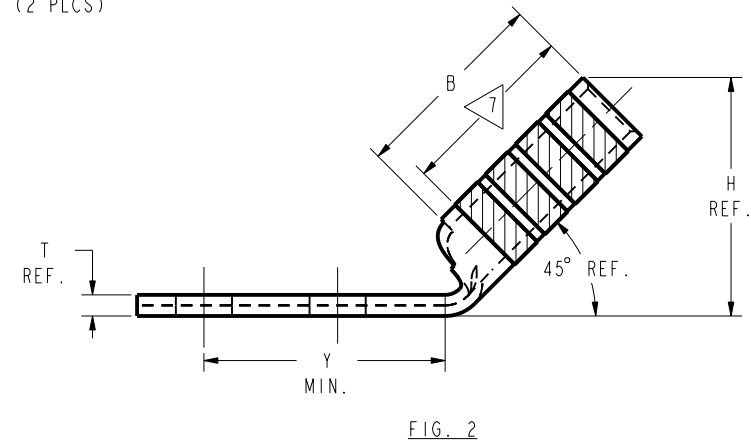
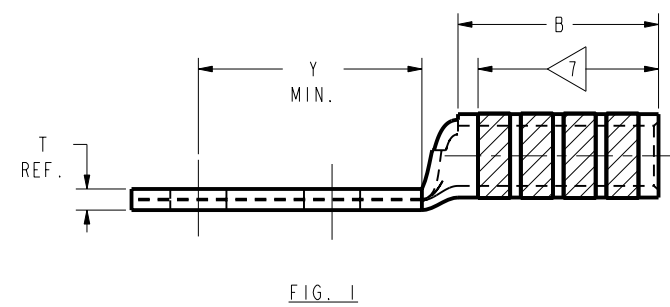
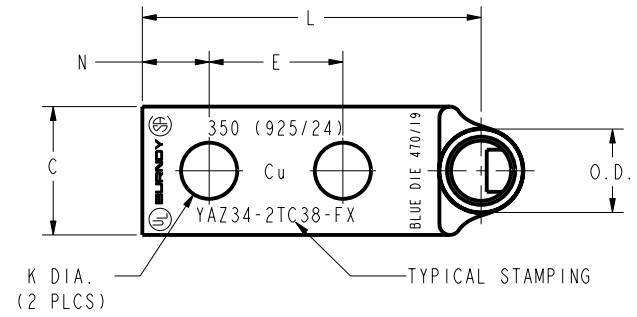
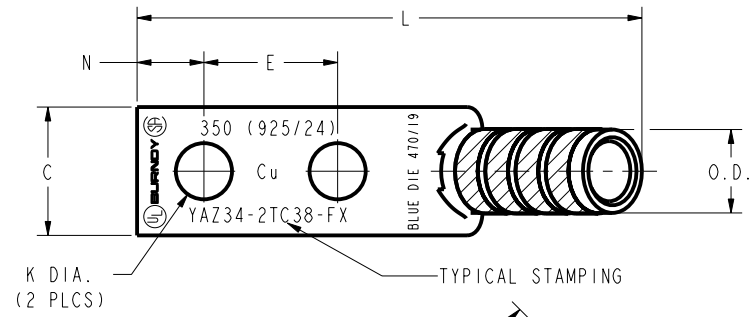
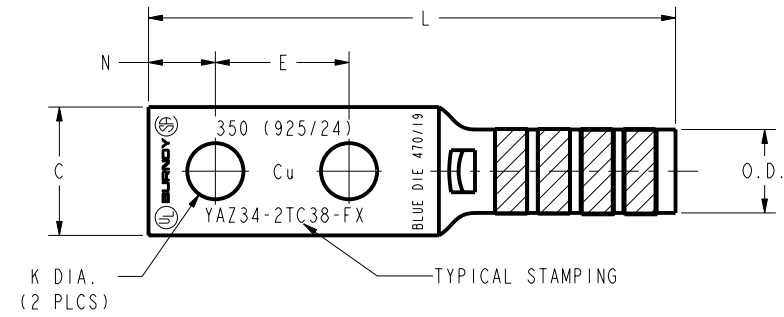


REV	DATE	DESCRIPTION	ECO	BY	C'H'K.
D	1/11/2001 12:00:00 AM	REDRAW AND CATALOG NUMBER UPDATON OF SALES DRAWINGS	17057	BSB	BSK

CATALOG NO.	CONDUCTOR		BOLT SIZE	FIG. NO.	DIMENSIONS										INSTALLATION TOOLING (# CRIMPS)								
	FLEX	CODE (AWG)			B	C	E	H REF.	K DIA.	L	N	O.D.	T REF.	Y MIN.	DIE INDEX	COLOR CODE	MECHANICAL		HYDRAULIC			DIELESS (# CRIMPS)	WIRE STRIP LENGTH
																	MD7-34R	BCT500 Y500CT	Y750 Y35, BAT35 Y39, BAT750	Y46	Y45		
YAZ342TC38FX	373.7 kcmil 925/24 350 kcmil FLEX	---	3/8 [M10]	1	2.25	1.55	1.00	---	.40	4.85	.41	1.06	.23	1.43	19 OR 470	BLUE	7	7	7	7	7	HYDRAULIC: Y644, Y644M Y644MBH, (1)	2-5/16
YAZ342TC38FX45					2.94			4.50		2.94							4.50						
YAZ342TC38FX90					3.41			2.54		3.41							2.54						
YAZ342TC12FX	373.7 kcmil 925/24 350 kcmil FLEX	---	1/2 [M12]	1	2.25	1.55	1.25	---	.53	5.60	.53	1.06	.23	1.81	19 OR 470	BLUE	7	7	7	7	HYDRAULIC: Y644, Y644M Y644MBH, (1)	2-5/16	
YAZ342TC12FX45								2.94		5.25							2.94	5.25					
YAZ342TC12FX90								3.41		3.29							3.41	3.29					



NOTES:

- MATERIAL: COPPER TUBING.
- FINISH: TIN PLATED.
- CATALOG # PT6515 ADAPTOR IS REQUIRED TO USE "U" DIES IN Y45 SERIES TOOLS.
- CATALOG # PUADP-1 ADAPTOR IS REQUIRED TO USE "U" DIES IN Y46 SERIES TOOLS.
- PERMANENT DIE IN TOOLING.
- DIMENSIONS IN BRACKETS [ ] ARE IN MILLIMETERS ROUNDED OFF TO THE NEAREST MILLIMETER, UNLESS OTHERWISE NOTED, AND ARE FOR REFERENCE ONLY.
- CRIMP (# OF CRIMPS PER TABLE) WITHIN THE LENGTH BETWEEN THE INK STAMPED CRIMPING AREA.

TO ORDER BURNDY® PRODUCTS CALL  UNITED STATES 1-800-346-4175 (LONDONDERRY, NH)  CANADA: 1-800-361-6975 (QUEBEC) 1-800-387-6487 (ALL OTHER PROVINCES)  FOR PRODUCT INFO: <a href="http://www.fciconnect.com">http://www.fciconnect.com</a>	HYLUG™ (TWO HOLE FLEX)	
	ITEM NO:	N/A
	CAT. NO:	YAZ34- (TABLE)
	DRAWN BY:	B MICHAUD 8/25/99
	CHECKER:	D BOISVERT 8/26/99
	DSN APPVL:	RR TEAM 9/28/99
	MFG APPVL:	--
	QA APPVL:	J BRODEUR 10/6/99
	MKT APPVL:	R ROBICHEAU 10/5/99
	PROD FAM:	--
PROJECT #:	--	
DOCUMENT TYPE:	Sales	
REL LEVEL:	Released	
SCALE:	NTS	
DRAWING NO:	SE212273	
REV:	D	
SHEET:	37 OF 48	

REV: PE0200