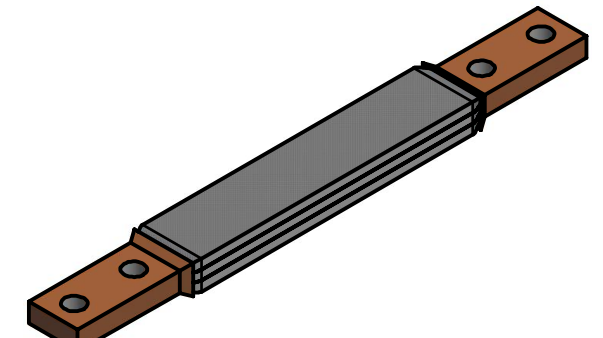
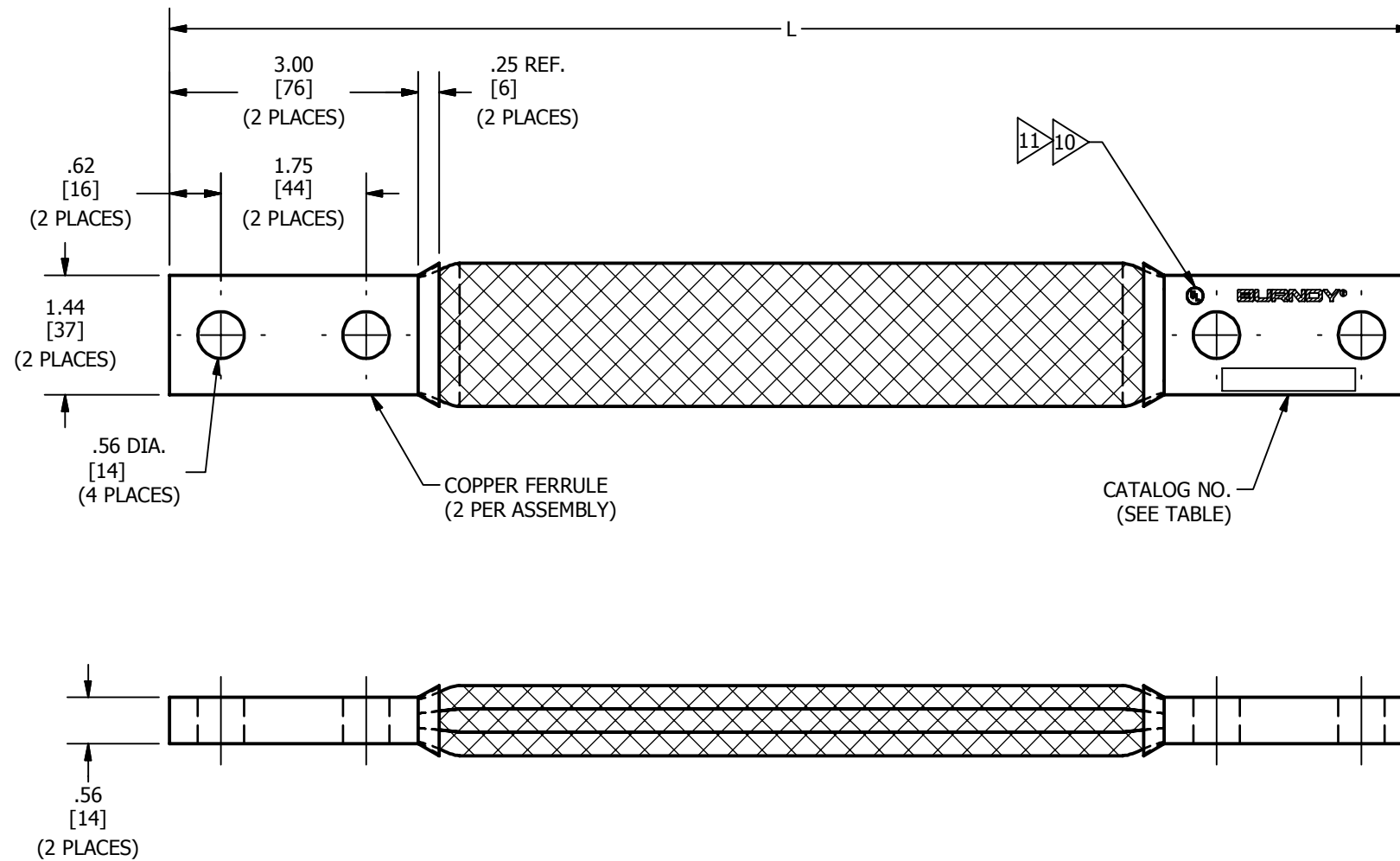


CATALOG NO.	L
B3F8D50N	8.50 [216]
B3F9D50N	9.50 [241]
B3F10D62N	10.62 [270]
B3F11N	11.00 [279]
B3F12N	12.00 [305]
B3F14N	14.00 [356]
B3F15N	15.00 [381]
B3F16N	16.00 [406]
B3F17N	17.00 [432]
B3F18N	18.00 [457]
B3F20N	20.00 [508]
B3F21N	21.00 [533]
B3F22N	22.00 [559]
B3F24N	24.00 [610]
B3F26N	26.00 [660]
B3F30N	30.00 [762]
B3F32N	32.00 [813]
B3F36N	36.00 [914]
B3F44N	44.00 [1118]
B3F48N	48.00 [1219]
B3F60N	60.00 [1524]

REV	DATE	DESCRIPTION	ECO	BY	CHK.
C	07/02/2014	ADDED CAT.# B3F9D50N IN TABLE	36730	AD	BSB



NOTES:

1. MATERIAL: FERRULES - COPPER.  
BRAID - TINNED COPPER.

2. FINISH: UNPLATED.

3 SUFFIX "NK" DENOTES NICKEL PLATED FERRULES.

4 SUFFIX "SV" DENOTES SILVER PLATED FERRULES.

5 SUFFIX "TN" DENOTES TIN PLATED FERRULES.

6 SUFFIX "W" DENOTES HOT TIN DIPPED FERRULES.

7 ADD SUFFIX LETTER "U" AFTER "N" FOR UNDRILLED VERSIONS.  
EXAMPLE: B3F60NU OR B3F60NUTN.

8. APPROXIMATE AMP RATING: INDOOR = 820, OUTDOOR = 980.  
THIS RATING MAY VARY WITH AMBIENT CONDITIONS, ORIENTATION  
OF THE BRAID, AND OTHER SERVICE CONDITIONS.

9. DIMENSIONS IN BRACKETS [ ] ARE IN MILLIMETERS ROUNDED OFF TO THE  
NEAREST MILLIMETER, UNLESS OTHERWISE NOTED, AND ARE FOR REFERENCE ONLY.

10 ALL SIZES ARE LISTED TO UL 467 GROUNDING & BONDING EQUIPMENT STANDARDS.

11 BRAID SIZES MAY BE DESIGNATED BY SUFFIXES REPRESENTING VARIATIONS IN LENGTH,  
QUANTITY & SIZE OF MOUNTING HOLES, PAD SIZE AND FINISH. (REF. NOTE 10 ).

TO ORDER BURNDY® PRODUCTS CALL  
UNITED STATES  
1-800-346-4175 (LONDONDERRY, NH)  
CANADA:  
1-800-361-6975 (QUEBEC)  
1-800-387-6487 (ALL OTHER PROVINCES)  
FOR PRODUCT INFO: <http://www.burndy.com>

FLEXIBLE BRAID JUMPER	
ITEM NO: N/A	
CAT. NO: B-F-N (TABLE)	
DRAWN BY: P. LAPONIUS 09/16/1999	
CHECKER: R. BOISVERT 09/20/1999	
DSN APRV: J. MICHAUD 09/14/1999	
MFG APRV: --	
QA APRV: J. BRODEUR 09/15/1999	
MKT APRV: D. WALTERS 09/15/1999	
PROD FAM: MECHANICAL GROUNDING	DRAWING NO
PROJECT #: --	SIZE
DOCUMENT TYPE: SALES	SE212301-01
REL LEVEL: Released	B
	SHEET 1 OF 1
	C