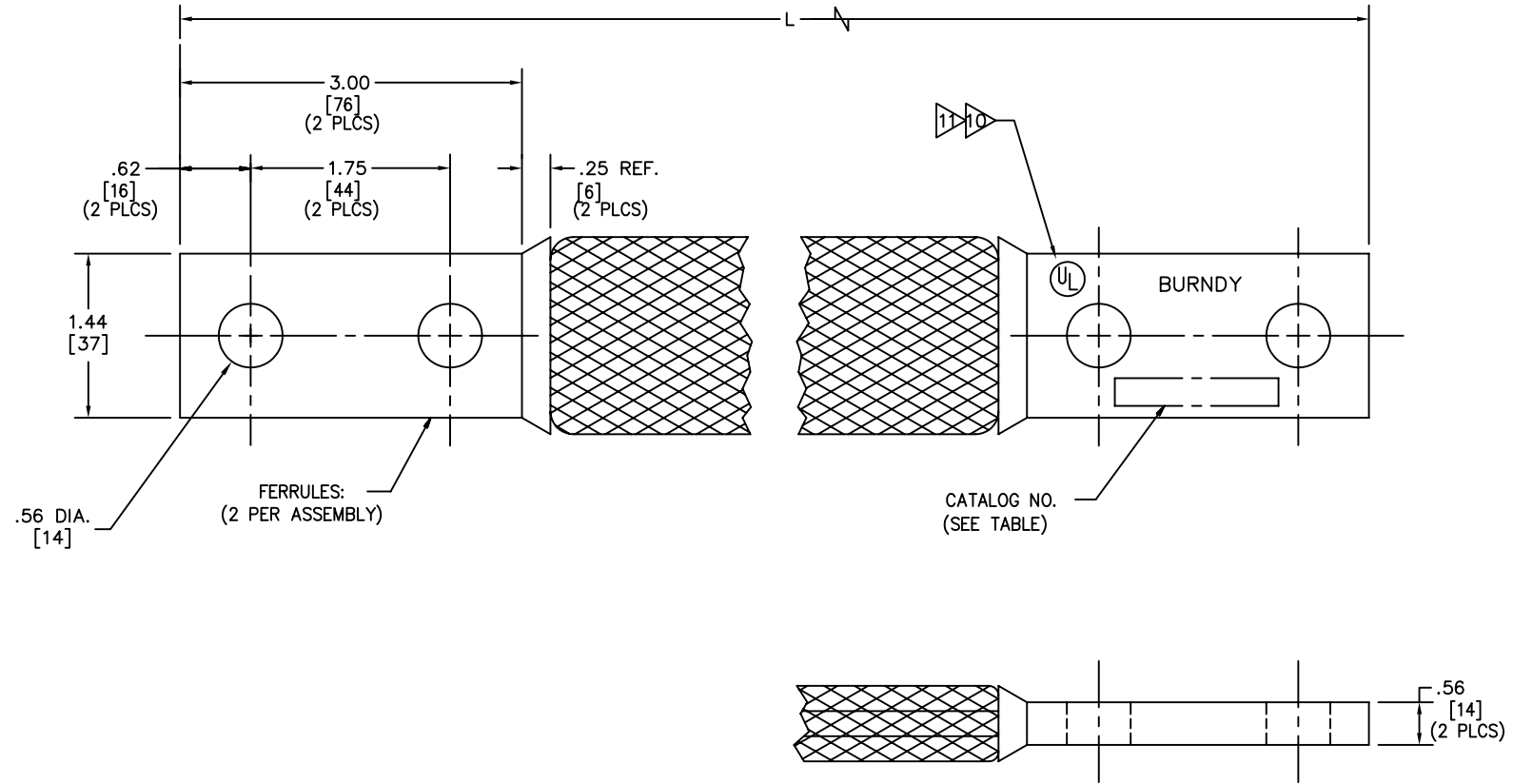


DRAWING NO.
SE212301-01

TABLE	
CATALOG NO.	L
B3F8D50N	8.50 [216]
B3F10D62N	10.62 [270]
B3F11N	11.00 [279]
B3F12N	12.00 [305]
B3F14N	14.00 [356]
B3F15N	15.00 [381]
B3F16N	16.00 [406]
B3F17N	17.00 [432]
B3F18N	18.00 [457]
B3F20N	20.00 [508]
B3F21N	21.00 [533]
B3F22N	22.00 [559]
B3F24N	24.00 [610]
B3F26N	26.00 [660]
B3F30N	30.00 [762]
B3F32N	32.00 [813]
B3F36N	36.00 [914]
B3F44N	44.00 [1118]
B3F48N	48.00 [1219]
B3F60N	60.00 [1524]

REV.	DATE	DESCRIPTION	ECO	BY	C'K'D.
A	07/14/06	ADD NOTES 10 AND 11 TO DRAWING.	13059	RB	PL



NOTES:

1. MATERIAL: FERRULES - COPPER.
BRAID - TINNED COPPER.
2. FINISH: UNPLATED.
3. SUFFIX "NK" DENOTES NICKEL PLATED FERRULES.
4. SUFFIX "SV" DENOTES SILVER PLATED FERRULES.
5. SUFFIX "TN" DENOTES TIN PLATED FERRULES.
6. SUFFIX "W" DENOTES HOT TIN DIPPED FERRULES.
7. ADD SUFFIX LETTER "U" AFTER "N" FOR UNDRILLED VERSIONS.
EXAMPLE: B3F60NU OR B3F60NUTN.
8. APPROXIMATE AMP RATING: INDOOR = 820, OUTDOOR = 980.
THIS RATING MAY VARY WITH AMBIENT CONDITIONS, ORIENTATION
OF THE BRAID, AND OTHER SERVICE CONDITIONS.
9. DIMENSION IN BRACKETS [] ARE IN MILLIMETERS ROUNDED OFF TO THE
NEAREST MILLIMETER, UNLESS OTHERWISE NOTED, AND ARE FOR REFERENCE ONLY.
10. ALL SIZES ARE LISTED TO UL 467 GROUNDING & BONDING EQUIPMENT STANDARDS.
11. BRAID SIZES MAY BE DESIGNATED BY SUFFIXES REPRESENTING VARIATIONS IN LENGTH,
QUANTITY & SIZE OF MOUNTING HOLES, PAD SIZE AND FINISH. (REF. NOTES 10 & 11)

TO ORDER BURNDY PRODUCTS CALL 1-800-346-4175
MANCHESTER, NH 03109, USA
FOR PRODUCT INFO = <http://www.fciconnect.com>

FLEXIBLE BRAID JUMPER	
ITEM NO: N/A	
CAT NO: B-F--N (TABLE)	
SCALE: NTS	BURNDY PRODUCTS
DRAWN BY: P. LAPONIUS 09/16/99	
CHECKER: R. BOISVERT 09/20/99	DRAWING NO: SE212301-01
DSN APPVL: J. MICHAUD 09/14/99	
MFG APPVL: N/A	REV: A
QC APPVL: J. BRODEUR 09/15/99	
MKT APPVL: D. WALTERS 09/15/99	SHEET 1 OF 1
PROD FAM: ---	
PROJECT #: ---	SIZE: D
DOCUMENT TYPE: Sales	
REL LEVEL: AutoCAD	