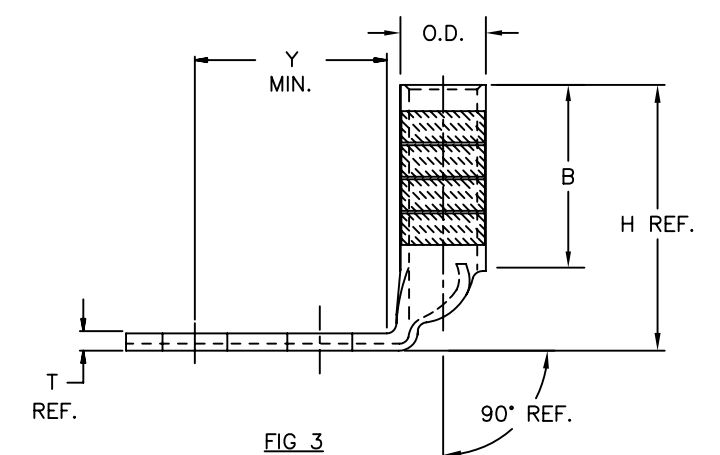
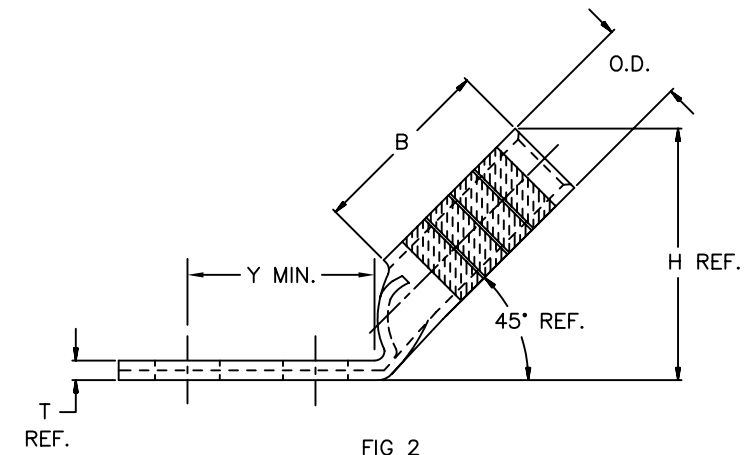
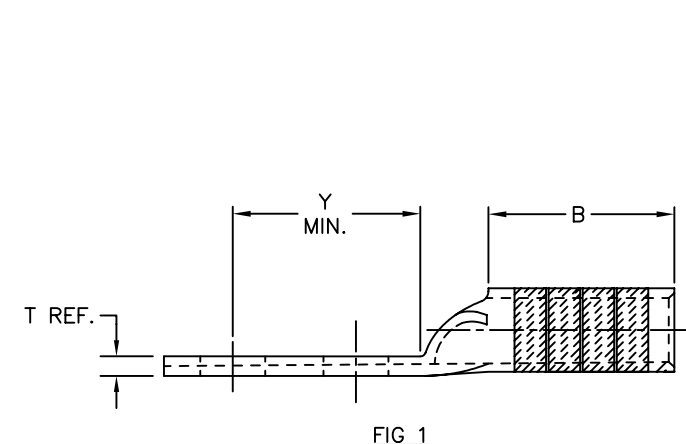
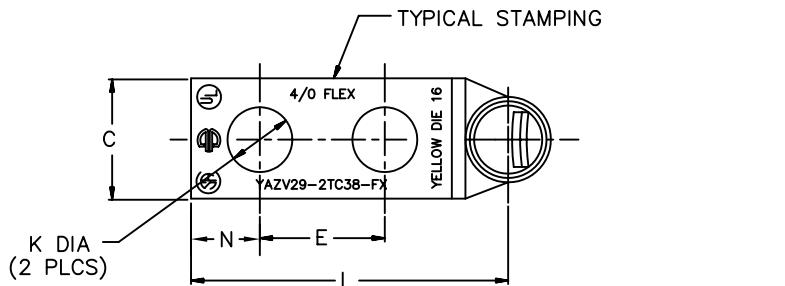
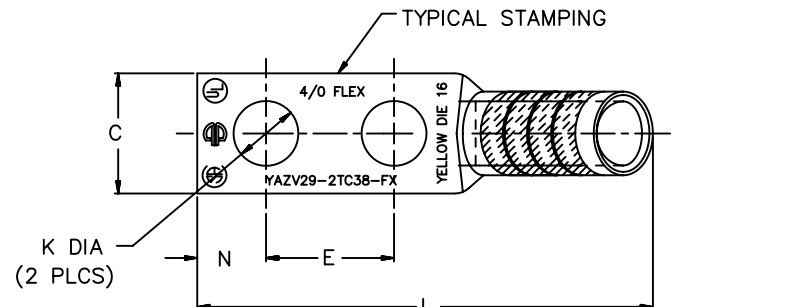
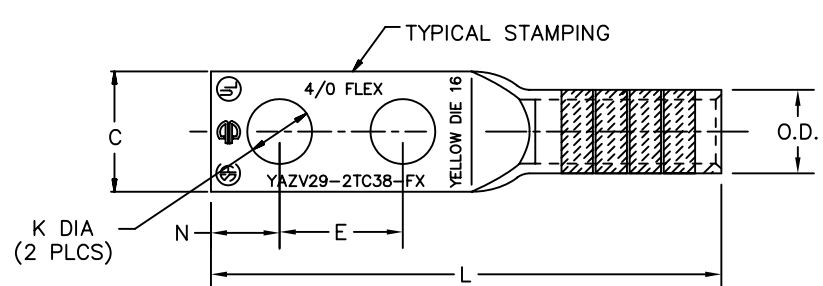


DRAWING NO. SE212404-01	DIMENSIONS													INSTALLATION TOOLING (# CRIMPS)					WIRE STRIP LENGTH							
	CATALOG NO.	CONDUCTOR		BOLT SIZE	FIG. NO.	B ±.08	C ±.04	E ±.02	H REF.	K DIA. ±.02	L ±.12	N ±.03	O.D. ±.01	T REF.	Y MIN.	DIE INDEX	COLOR CODE	MECHANICAL		HYDRAULIC			DIELESS (# CRIMPS)			
		FLEX	CODE (AWG)															MD7-34R		BAT500	Y750, Y35, Y39 BAT35 BAT750	Y46		Y45		
YAZV29-2NTC516-FX	4/0 FLEX CLASS I, K, M	250 CODE	5/16 [M8]	1	2.00 [51]	1.18 [30]	---	---	---	5.03 [128]	.34 [9]	.80 [20]	.16 [4]	2.12 [54]	16	YELLOW	W29VT (4)	W29VT (4)	U29RT (2)	U29RT (2)	U29RT (2)	HYDRAULIC: Y644, Y644M Y644MBH BAT644M (1)	2-1/16			
YAZV29-2NTC516-FX-45				2	1.75 [44]	2.41 [61]	.33 [8]	4.65 [118]	---	---	---	---	---	---	---	---	---	---	---	---	---			---	---	
YAZV29-2NTC516-FX-90				3	2.85 [72]	2.99 [76]	---	---	---	---	---	---	---	---	---	---	---	---	---	---	---			---	---	
YAZV29-2TC38-FX			3/8 [M10]	1	---	---	---	---	---	---	4.41 [112]	---	---	---	---	---	---	---	---	---	---			---	---	
YAZV29-2TC38-FX-45				2	1.00 [25]	2.41 [61]	.40 [10]	4.03 [102]	---	---	---	.41 [10]	---	---	---	1.43 [36]	---	---	---	---	---			---	---	
YAZV29-2TC38-FX-90				3	2.85 [72]	2.36 [60]	---	---	---	---	---	---	---	---	---	---	---	---	---	---	---			---	---	---
YAZV29-2NTC-FX			1/2 [M12]	1	---	---	---	---	---	---	---	---	---	---	---	---	---	---	---	---	---			---	---	---
YAZV29-2NTC-FX-45				2	1.75 [44]	2.41 [61]	.56 [14]	5.22 [133]	---	---	---	.62 [16]	---	---	---	2.40 [61]	---	---	---	---	---			---	---	---
YAZV29-2NTC-FX-90	3	2.00 [51]		1.18 [30]	2.85 [72]	3.55 [90]	---	---	---	---	---	---	---	---	---	---	---	---	---	---	---	---	---			



NOTES:

- MATERIAL: COPPER TUBING.
- FINISH: TIN PLATED
- CATALOG # PT6515 ADAPTOR IS REQUIRED TO USE "U" DIES IN Y45 SERIES TOOLS.
- CATALOG # PUADP-1 ADAPTOR IS REQUIRED TO USE "U" DIES IN Y46 SERIES TOOLS.
- DIMENSIONS IN BRACKETS [] ARE IN MILLIMETERS ROUNDED OFF TO THE NEAREST MILLIMETER UNLESS OTHERWISE NOTED AND ARE FOR REFERENCE ONLY.
- BATTERY OPERATED TOOL.

TO ORDER BURNDY® PRODUCTS CALL 1-800-346-4175
 MANCHESTER, NH 03109, USA
 FOR PRODUCT INFO = <http://www.burndy.com>

HYLUG™	
ITEM NO: N/A	
CAT NO: YAZV29- (TABLE)	
SCALE: 1/1	
DRAWN BY: D. BOISVERT 01/12/00	
CHECKER: P. LAPONIUS 1/13/00	
DSN APPVL: J. MICHAUD 12/20/99	
MFG APPVL: N/A	
QC APPVL: S. BROWN 01/03/00	DRAWING NO
MKT APPVL: R. ROBICHEAU 12/21/99	REV
PROD FAM: --	SE212404-01
PROJECT #: --	SIZE
DOCUMENT TYPE: Sales	D
REL LEVEL: AutoCAD	SHEET 1 OF 1

REV.	DATE	DESCRIPTION	ECO	BY	C'K'D.
B	5/8/06	UPDATE WITH NEW FORMAT	12821	PL	PL