

CATALOG NO.	CONDUCTOR		BOLT SIZE	FIG. NO.	DIMENSIONS								INSTALLATION TOOLING (# CRIMPS)													
	FLEX	CODE (AWG)			B ±.08	C +.04 -.02	H REF.	K DIA. ±.02	L ±.12	N ±.03	O.D. ±.01	T REF.	Z MIN.	DIE INDEX	COLOR CODE	MECHANICAL		HYDRAULIC				DIELESS (# CRIMPS)	WIRE STRIP LENGTH			
																MD7-34R	OUR840	BCT500 Y500CT	Y750 Y35,PAT35 Y39,PAT750	Y46	Y45					
YAZV26TC14FX	2/0 WELD 375/24	2/0 AWG [70 mm STR]	1/4 [M6]	1	1.50 [38]	.93 [24]	--	2.61 [66]						13	BLACK	W26VT X26RT W26RT (4)	X26RT W26VT (4)	W26VT X26RT W26RT (4)	U26RT (2)	U26RT (2)	U26RT (2)	MECHANICAL: MY29-11(1) HYDRAULIC: Y644, Y644M PAT644, Y644MBH (1)	1-9/16			
YAZV26TC14FX45				2		1.87 [47]	.27 [7]	2.34 [59]	.31 [8]	.63 [16]	.13 [3]	.33 [8]														
YAZV26TC14FX90				3			2.18 [55]		1.07 [27]																	
YAZV26TC38FX	2/0 WELD 375/24	2/0 AWG [70 mm STR]	3/8 [M10]	1		--	2.80 [71]															MECHANICAL: MY29-11(1) HYDRAULIC: Y644, Y644M PAT644, Y644MBH (1)	1-9/16			
YAZV26TC38FX45				2		1.87 [47]	.40 [10]	2.53 [64]	.41 [10]	.63 [16]	.13 [3]	.42 [11]														
YAZV26TC38FX90				3			2.18 [55]		1.26 [32]																	
YAZV26TC12FX	2/0 WELD 375/24	2/0 AWG [70 mm STR]	1/2 [M12]	1		--	3.05 [77]															MECHANICAL: MY29-11(1) HYDRAULIC: Y644, Y644M PAT644, Y644MBH (1)	1-9/16			
YAZV26TC12FX45				2		1.87 [47]	.52 [13]	2.78 [71]	.53 [13]	.63 [16]	.13 [3]	.55 [14]														
YAZV26TC12FX90				3			2.18 [55]		1.50 [38]																	

REV	DATE	DESCRIPTION	ECO	BY	CHK.
B	12/16/2013 11:26:00 AM	DRAWING RELEASED	34098	GV	MB

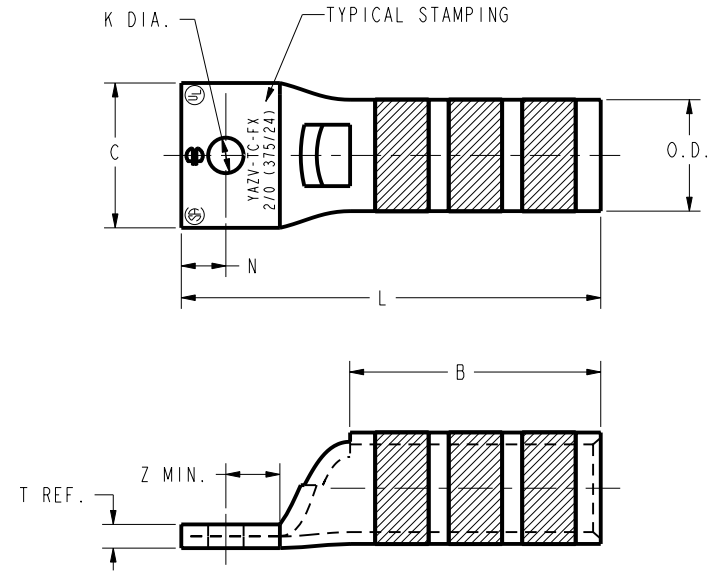


FIG. 1

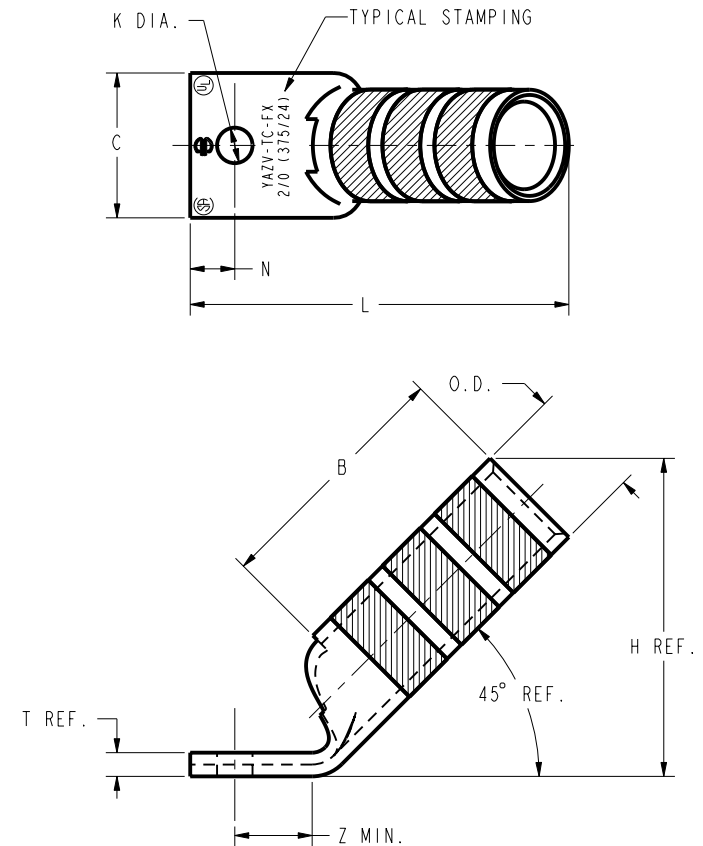


FIG. 2

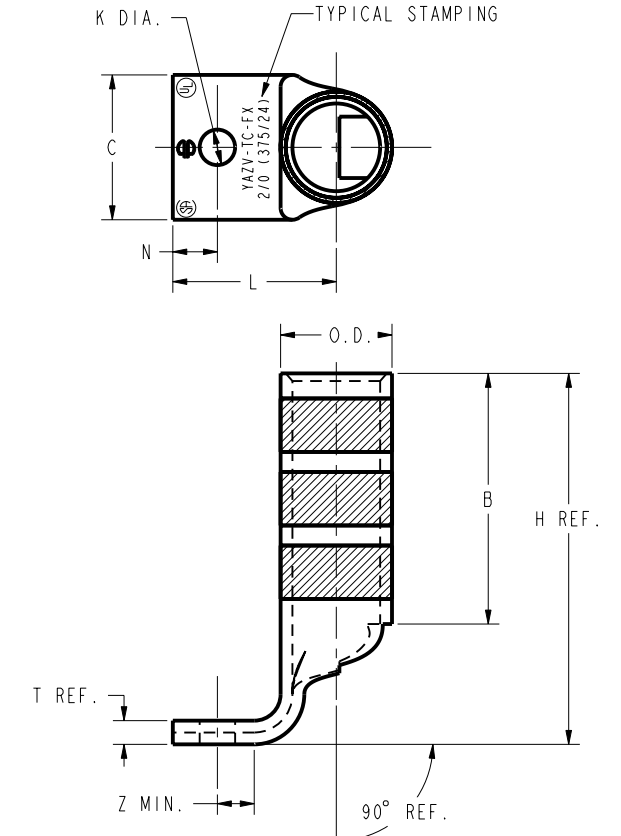


FIG. 3

NOTES:

- MATERIAL: COPPER TUBING.
- FINISH: TIN PLATED
- CATALOG # PT6515 ADAPTOR IS REQUIRED TO USE " U " DIES IN Y45 SERIES TOOLS.
- CATALOG # PUADP-1 ADAPTOR IS REQUIRED TO USE " U " DIES IN Y46 SERIES TOOLS.
- DIMENSIONS IN BRACKETS [] ARE IN MILLIMETERS. DIMENSIONS ARE ROUNDED OFF TO THE NEAREST MILLIMETER, UNLESS OTHERWISE NOTED, AND ARE FOR REFERENCE ONLY.
- UL LISTED AND CSA CERTIFIED CONNECTOR.

TO ORDER BURNDY® PRODUCTS CALL		HYLUGS™ (ONE HOLE FLEX)	
UNITED STATES 1-800-346-4175 (LONDONDERRY, NH)		ITEM NO: --	SCALE: 1:1
CANADA: 1-800-361-6975 (QUEBEC) 1-800-387-6487 (ALL OTHER PROVINCES)		CAT. NO: YAZV26-TC (TABLE)	REV
FOR PRODUCT INFO: http://www.burndy.com		DRAWN BY: D. BOISVERT 08/22/00	SE212448
		CHECKER: J. MICHARD 08/28/00	B
		DSN APPVL: J. MICHARD 08/21/00	
		MFG APPVL: T. THRELFALL	
		QA APPVL: T. WATTS	
		MKT APPVL: J. SYLVIA	
		PROD FAM: CM&R COMPRESSION	
		PROJECT #: --	
		DOCUMENT TYPE: Sales	
		REL LEVEL: Released	

REV: PE0200