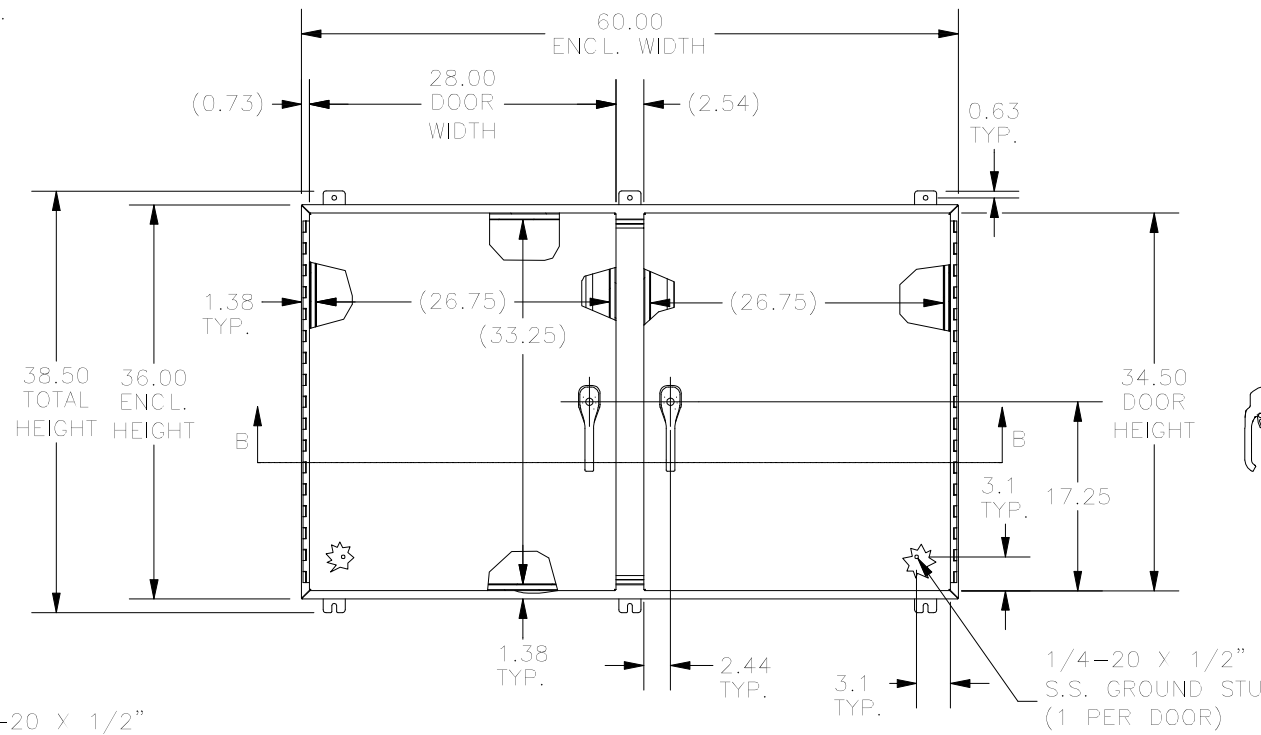
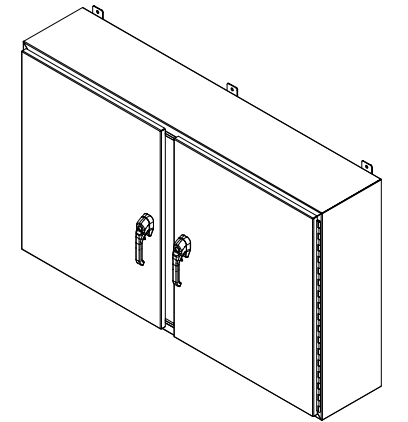
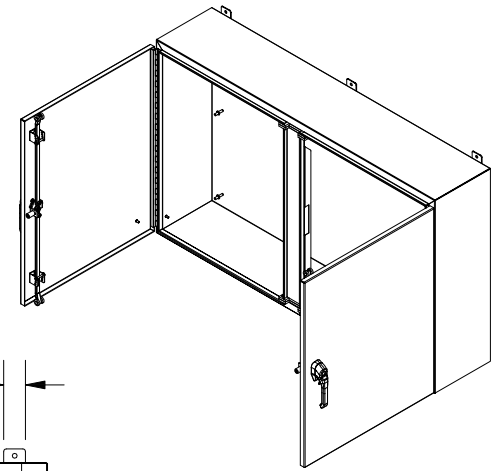
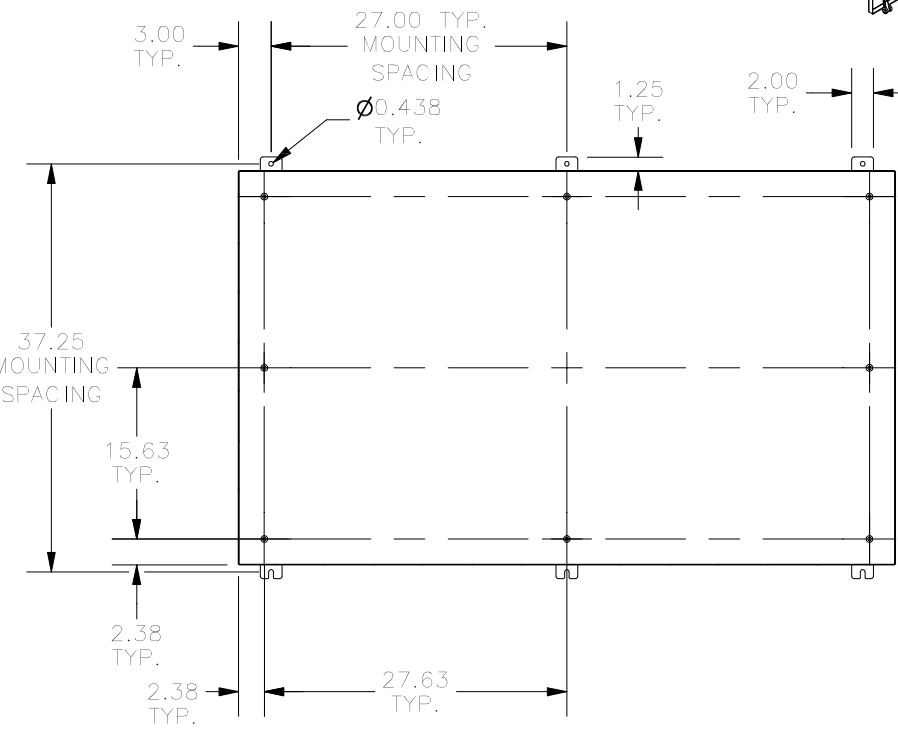


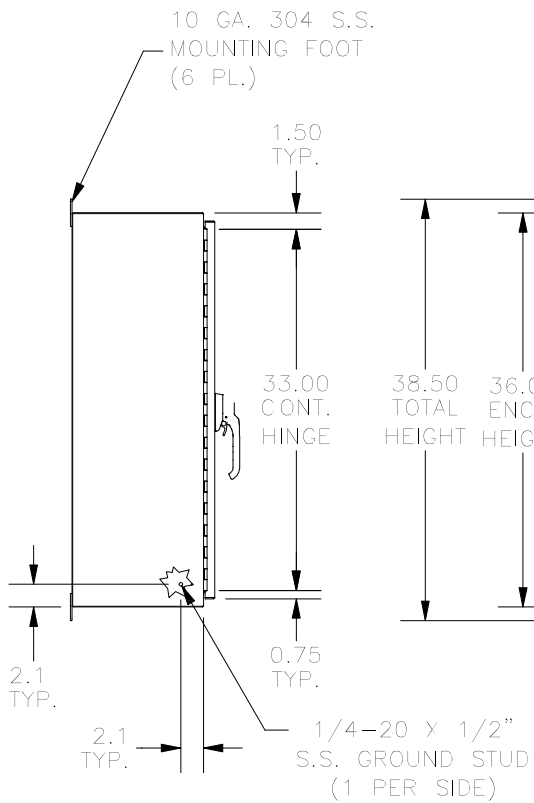
TOP VIEW



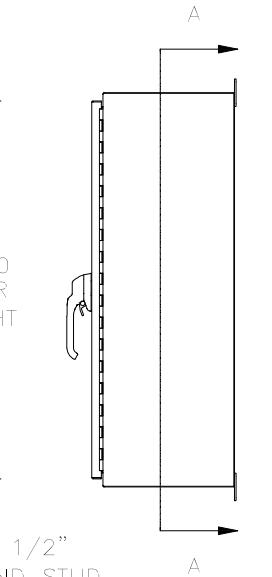
FRONT VIEW



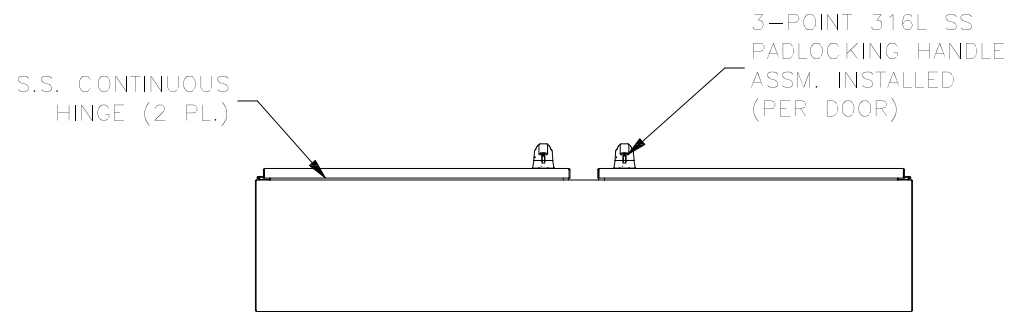
**SECTION A-A
(INSIDE BACK VIEW OF ENCL.)**



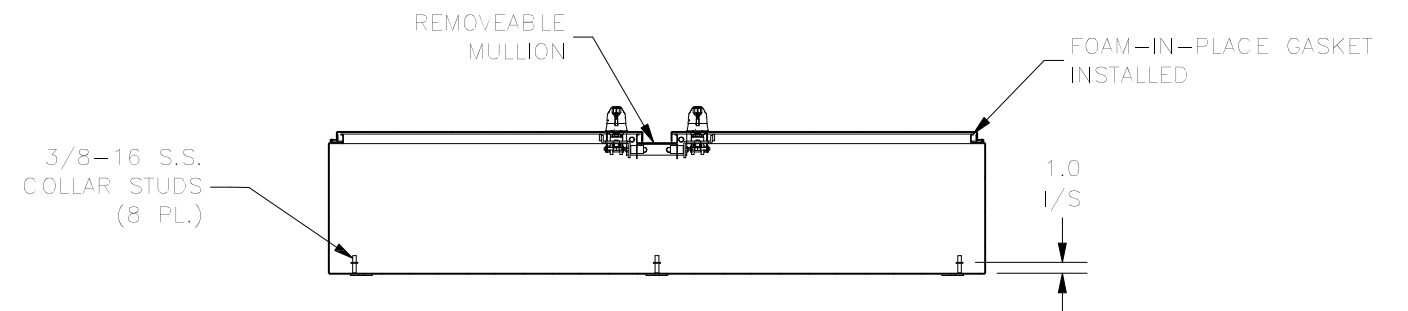
LEFT SIDE VIEW



RIGHT SIDE VIEW



BOTTOM VIEW



**SECTION B-B
(INSIDE VIEW OF TOP)**

PART#: SSN4366012WF3PT
(DATA SUBJECT TO CHANGE WITHOUT NOTICE)

THIS DRAWING IS PROPERTY OF HUBBELL INC. WIEGMANN
ALL INFORMATION IS PROPRIETARY AND NOT TO BE DUPLICATED