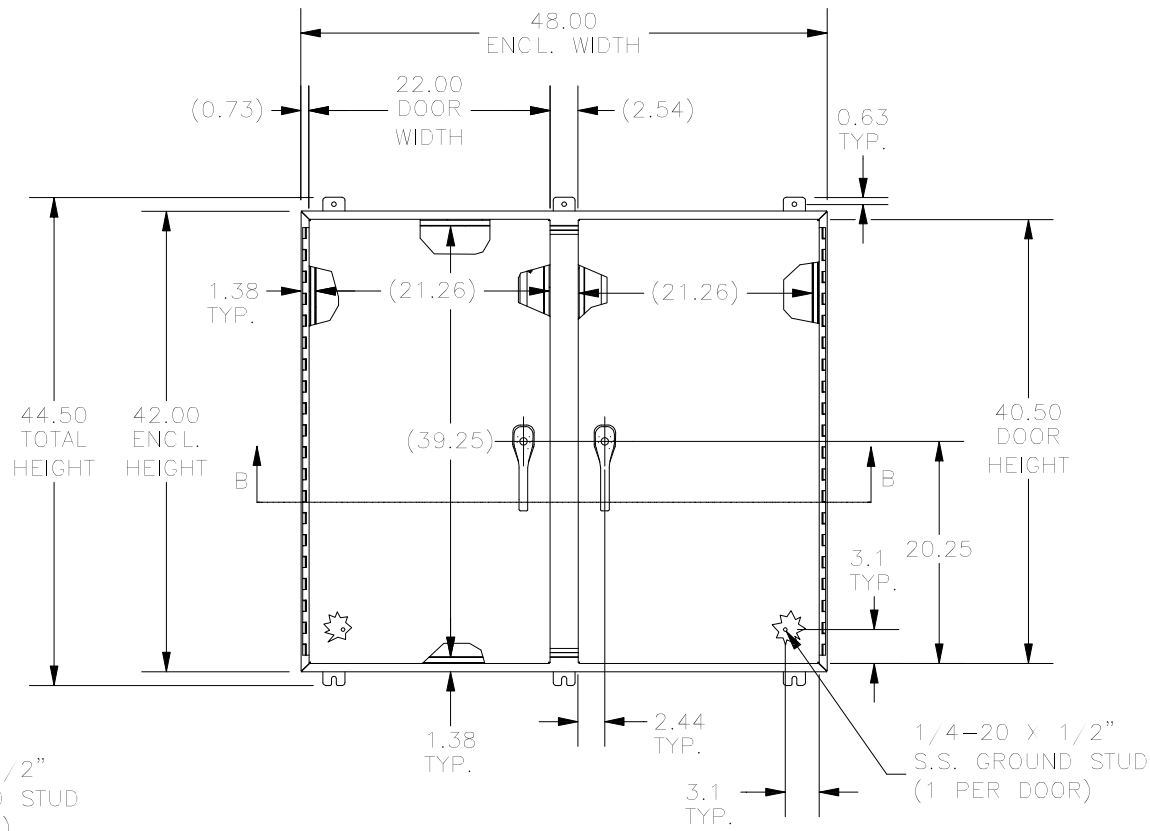
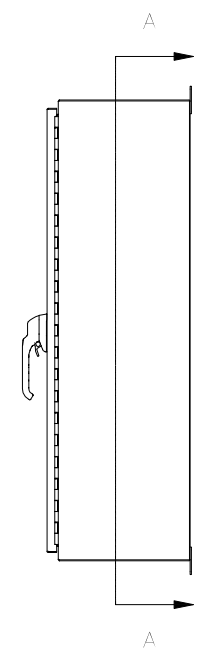


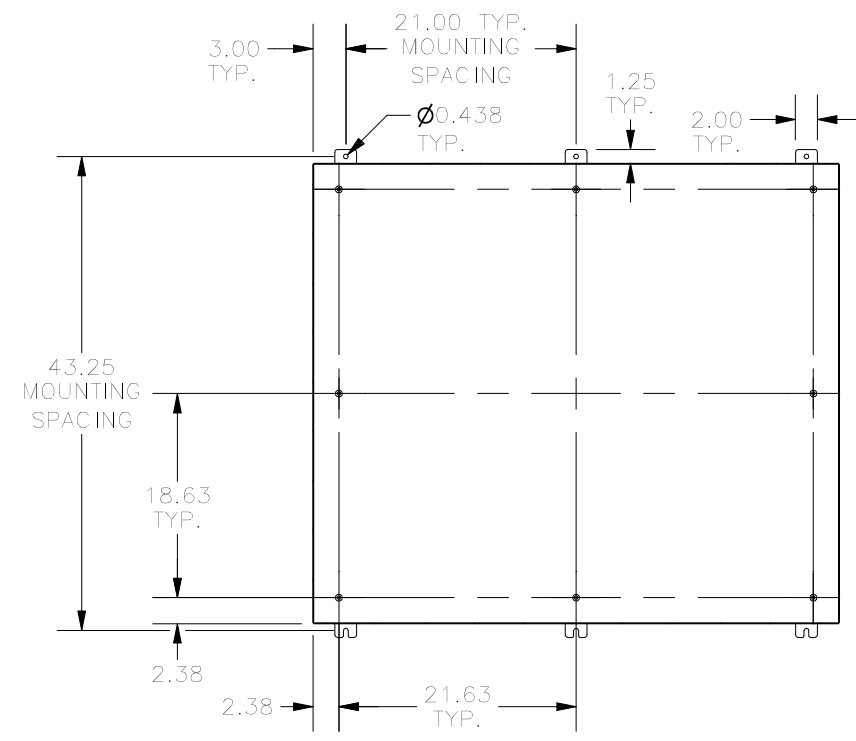
**TOP VIEW**



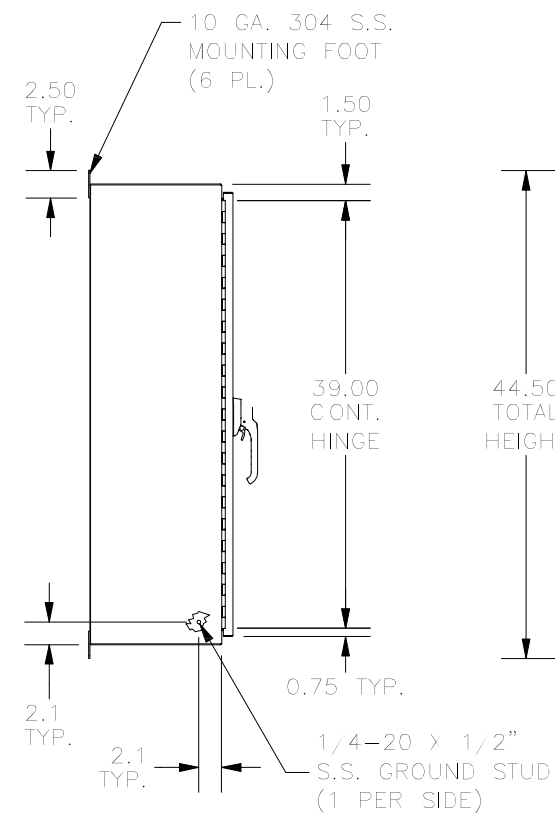
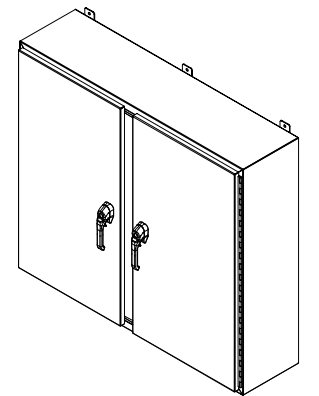
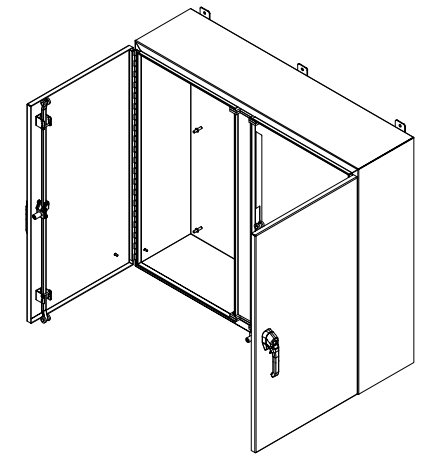
**FRONT VIEW**



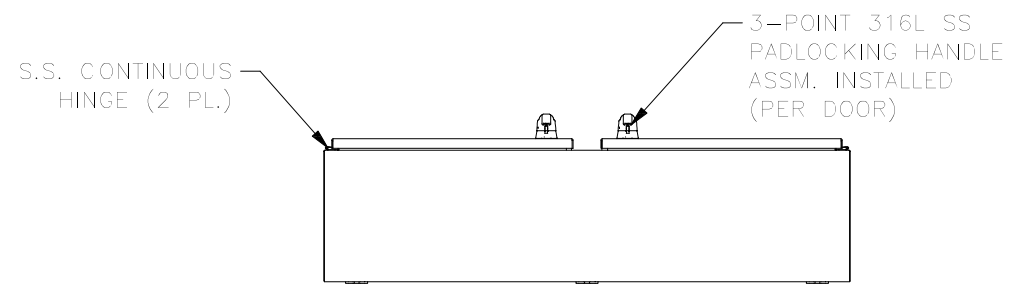
**RIGHT SIDE VIEW**



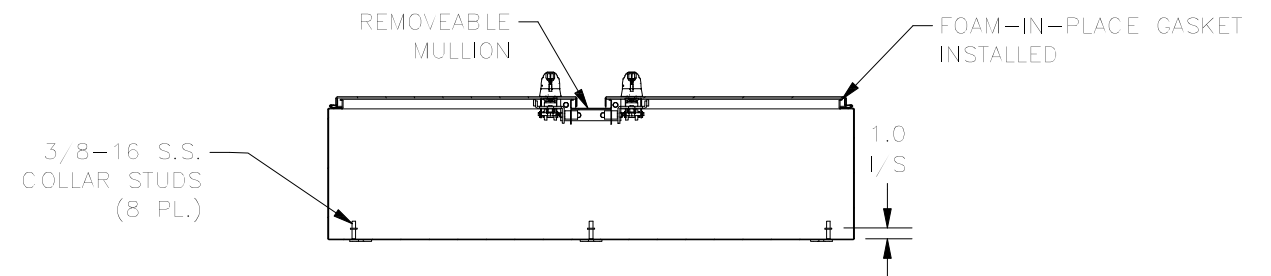
**SECTION A-A  
(INSIDE BACK VIEW OF ENCL.)**



**LEFT SIDE VIEW**



**BOTTOM VIEW**



**SECTION B-B  
(INSIDE VIEW OF TOP)**

PART#: SSN4424812WF3PT  
(DATA SUBJECT TO CHANGE WITHOUT NOTICE)

THIS DRAWING IS PROPERTY OF HUBBELL INC. WIEGMANN  
ALL INFORMATION IS PROPRIETARY AND NOT TO BE DUPLICATED