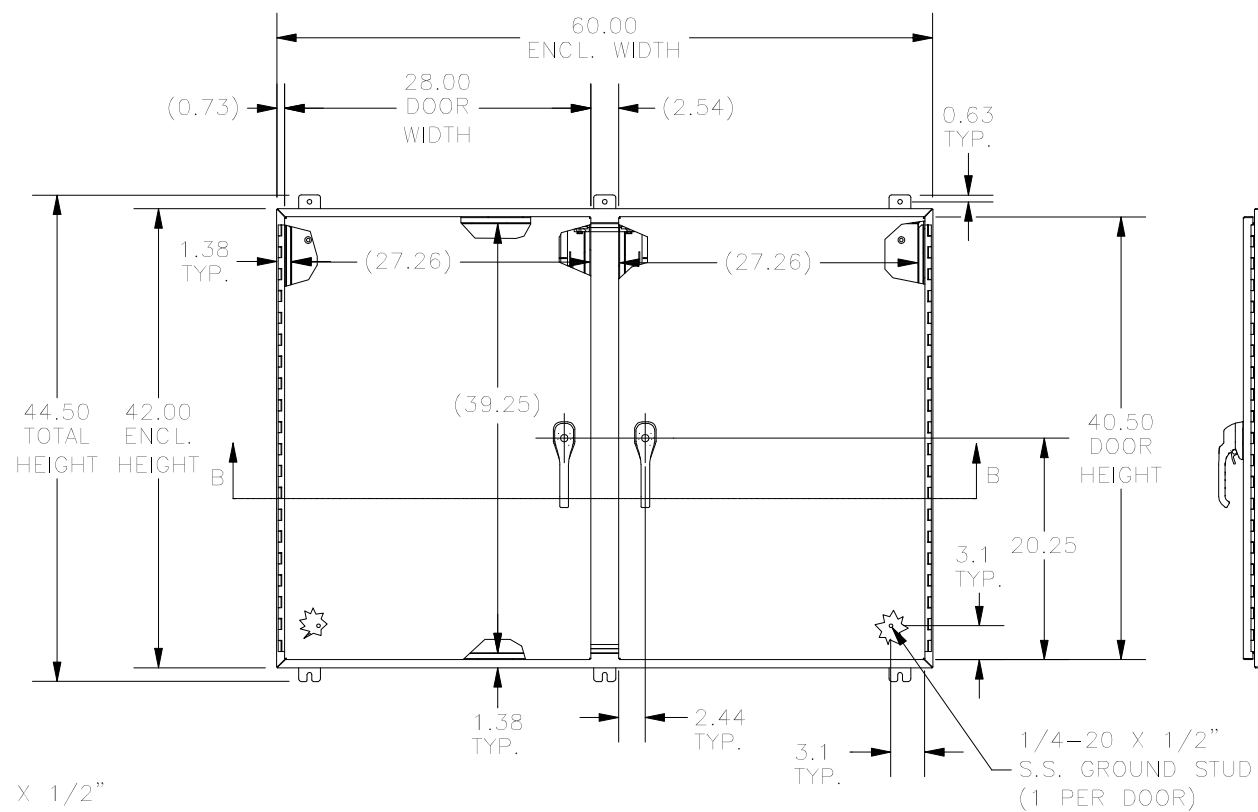
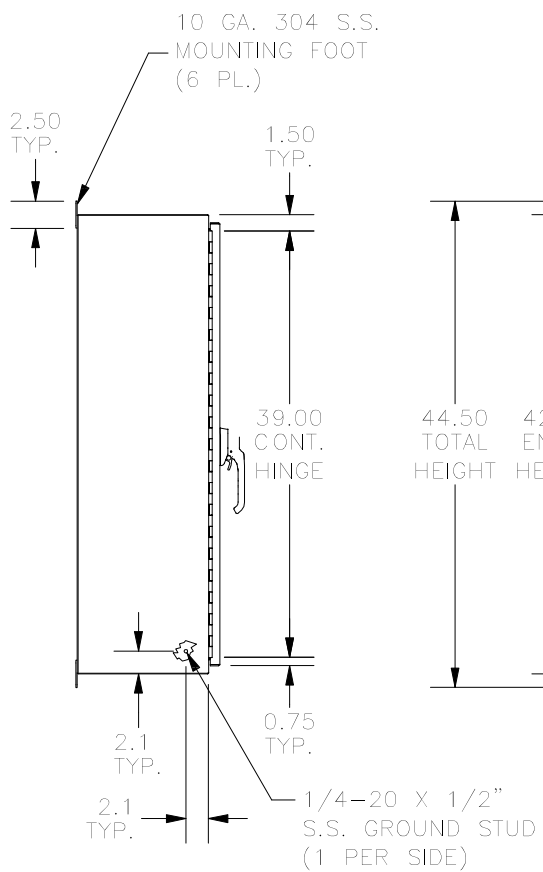


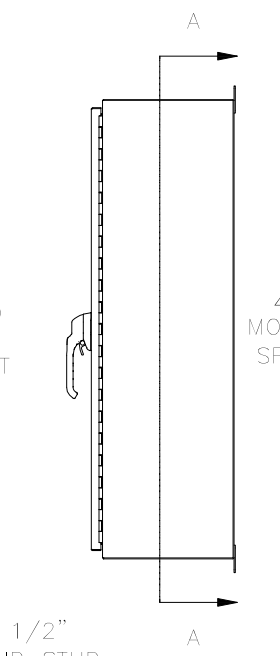
TOP VIEW



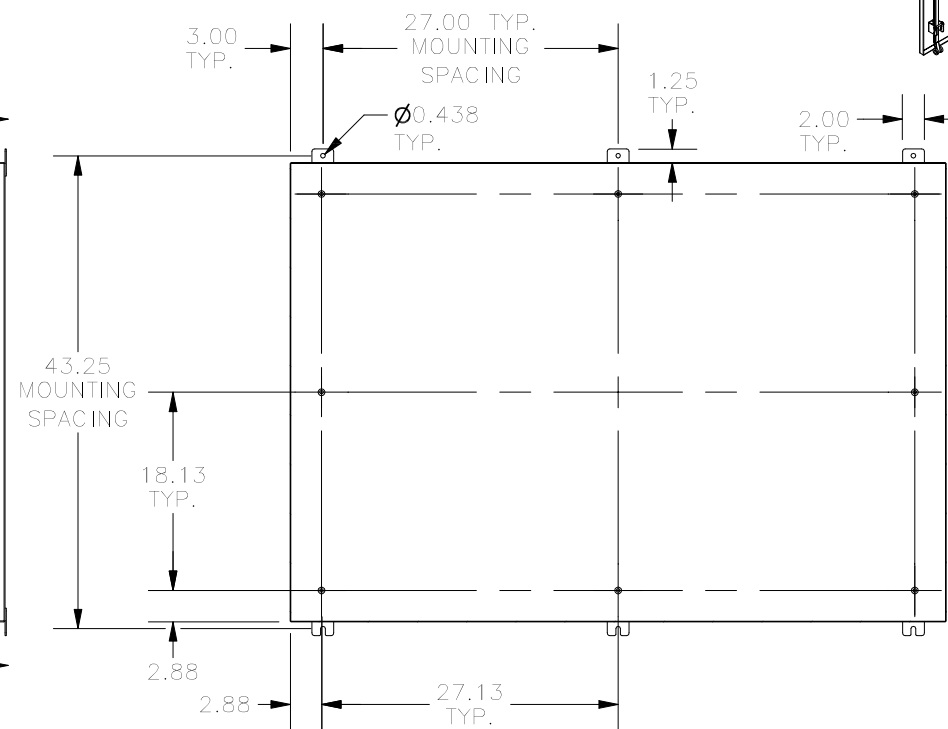
FRONT VIEW



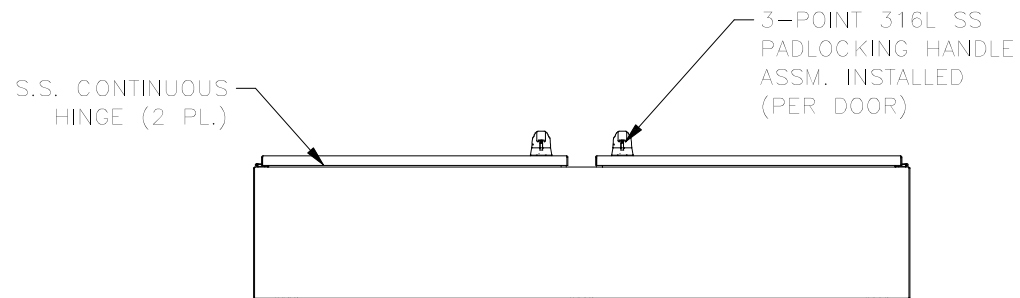
LEFT SIDE VIEW



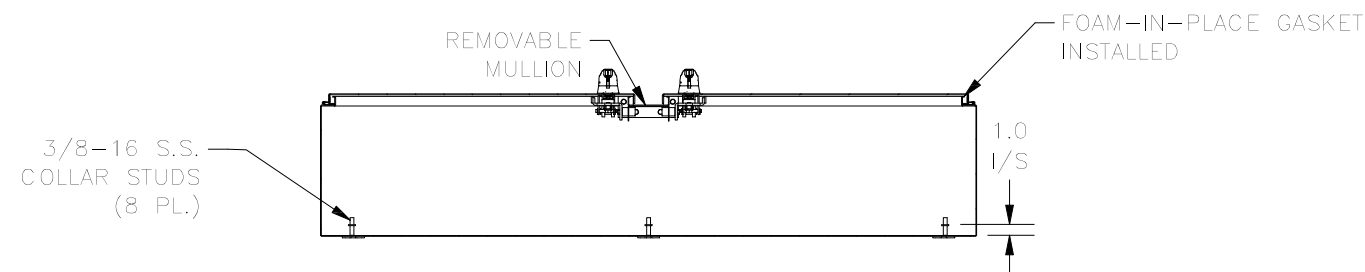
RIGHT SIDE VIEW



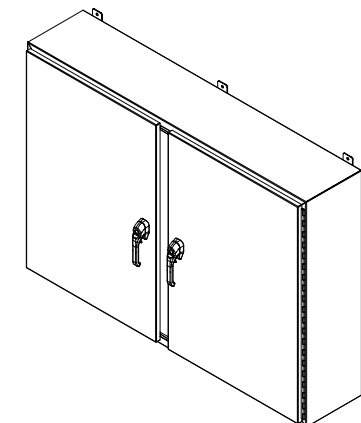
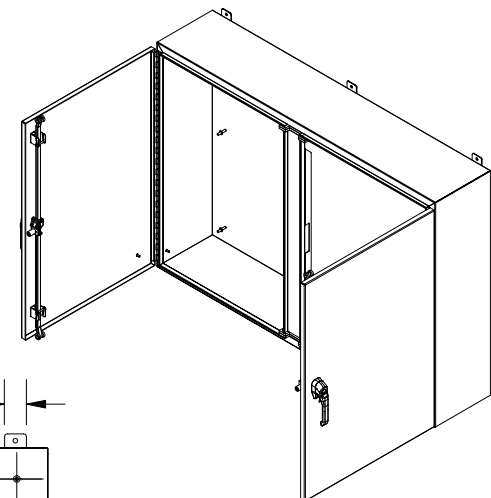
**SECTION A-A
(INSIDE BACK VIEW OF ENCL.)**



BOTTOM VIEW



**SECTION B-B
(INSIDE VIEW OF TOP)**



PART#: SSN4426012WF3PT
(DATA SUBJECT TO CHANGE WITHOUT NOTICE)

THIS DRAWING IS PROPERTY OF HUBBELL INC. WIEGMANN
ALL INFORMATION IS PROPRIETARY AND NOT TO BE DUPLICATED