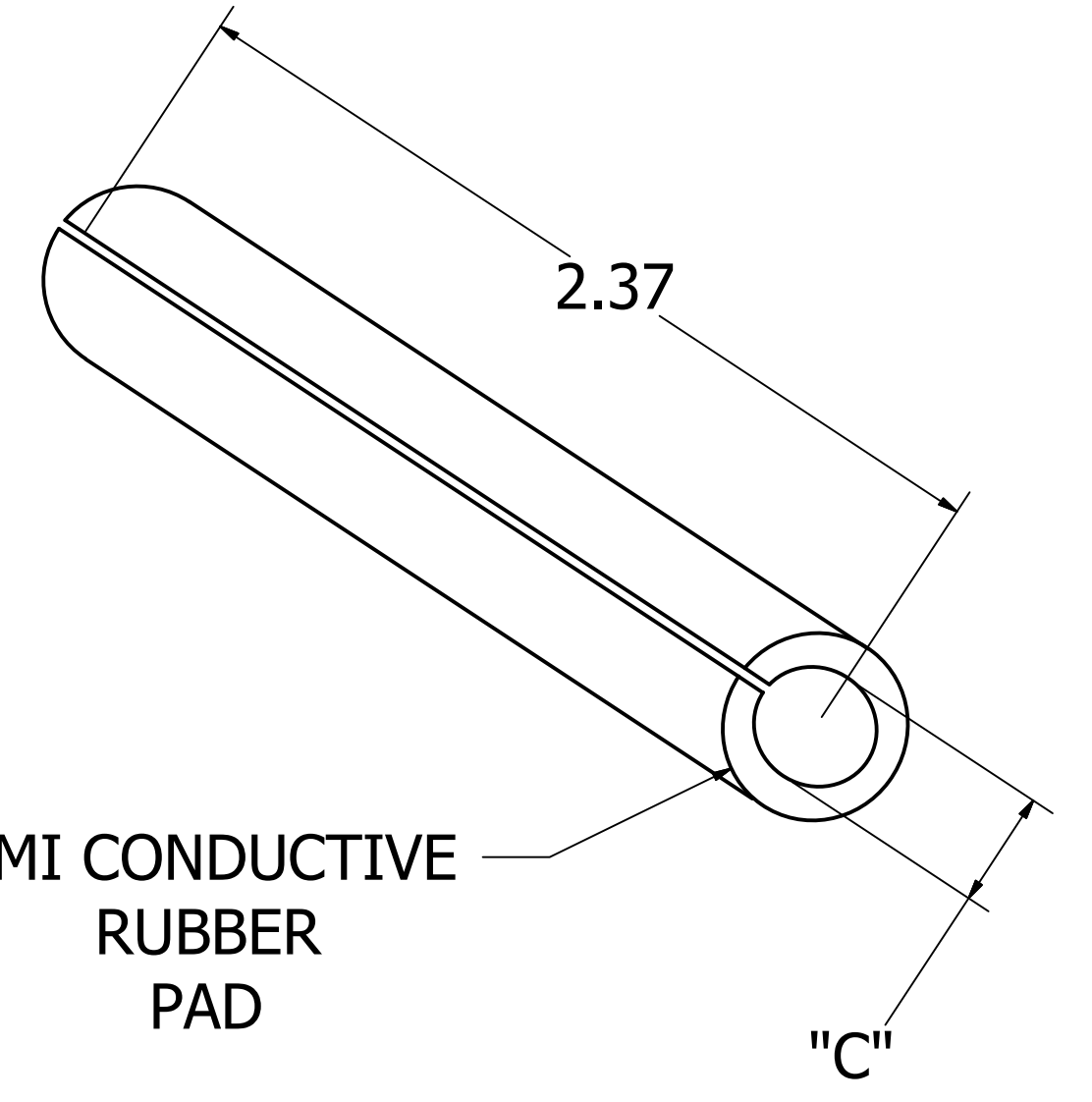
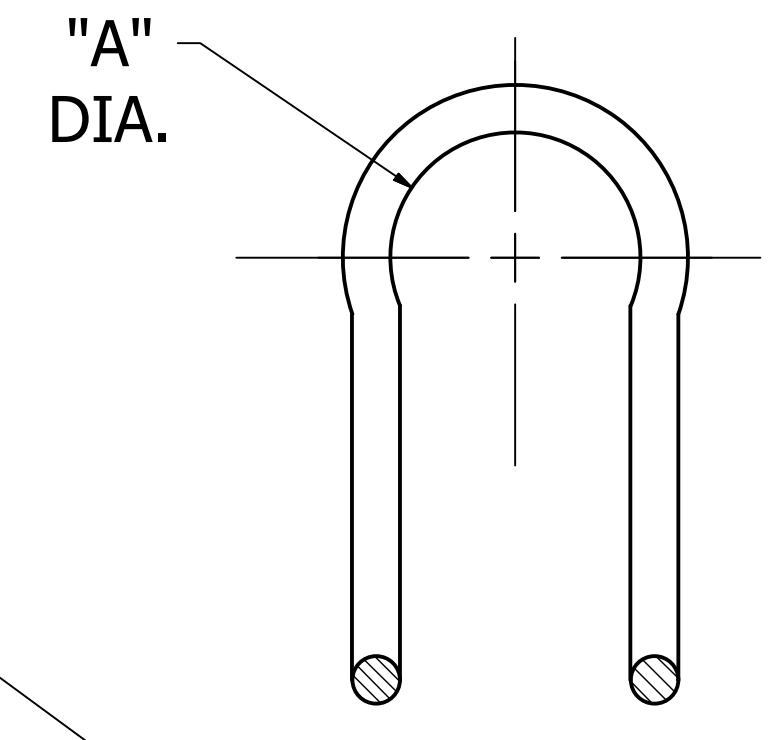


CATALOG NUMBER	ALUMINUM-TYPE CONDUCTORS, TYPICAL SIZES			CONDUCTOR RANGE		"A"	"B"	"C"	STD. PKG. QUAN.	COLOR CODE		
	INSULATOR TYPE C.F.J. OR 53-2	ACSR	AAC	AAAC	MIN.						MAX.	
STT10	#6 (6/1)	#6 (7W)	#6 (7W)	.184"	(4.67 MM)	0.22"	(5.59 MM)	.46"	14.7"	.19"	50	NONE
STT20	#4 (6/1)	#4 (7W)	#4 (7W)	.221"	(5.61 MM)	0.257"	(6.53 MM)	.46"	14.7"	.19"	50	ORANGE
STT30	-	#3 (7W)	#3 (7W)	0.258	(6.35 MM)	.289	(7.34 MM)	.46"	14.6"	.25"	50	PURPLE
STT40	#2 (6/1)	#2 (7W)	#2 (7W)	.290"	(7.37 MM)	0.325"	(8.26 MM)	.46"	14.6"	.25"	50	RED
STT50	#1 (6/1)	#1 (7W)	#1 (7W)	.326"	(8.28 MM)	0.36"	(9.14 MM)	.46"	14.5"	.31"	50	GRAY
STT60	1/0 (6/1)	1/0 (7W)	1/0 (7W)	.361"	(9.17 MM)	0.409"	(10.39 MM)	.46"	17.7"	.31"	50	YELLOW
STT70	2/0 (6/1)	2/0 (7W)	2/0 (7W)	.410"	(10.41 MM)	0.46"	(11.68 MM)	.63"	17.3"	.44"	50	BLUE
STT80	3/0 (6/1)	3/0 (7W)	3/0 (7W)	.461"	(11.71 MM)	0.516"	(13.11 MM)	.63"	17.2"	.44"	50	BLACK
STT90	4/0 (6/1)	4/0 (7W)	4/0 (7W)	.517"	(13.13 MM)	0.584"	(14.83 MM)	.63"	17.1"	.50"	50	PINK
STT100	266.8 (18/1)	266.8 (19W)	266.8 (19W)	.585"	(14.86 MM)	0.664"	(16.87 MM)	.82"	17.0"	.50"	50	GREEN
STT110	336.4 (18/1)	336.4 (19W)	336.4 (19W)	.665"	(16.89 MM)	0.755"	(19.18 MM)	.82"	23.5"	.69"	50	BROWN
STT120	477 (18/1)	477 (19W)	477 (19W)	.756"	(19.20 MM)	0.859"	(21.82 MM)	.82"	23.4"	.69"	50	VIOLET
STT130	556.5 (18/1)	636 (37W)	556.5 (19W)	.860"	(21.84 MM)	0.977"	(24.82 MM)	1.12"	22.6"	.87"	50	GOLD
STT140	636 (36/1)	715.5 (37W)	746.1 (37W)	.978"	(24.84 MM)	1.108"	(28.14 MM)	1.25"	1.38"	1.00"	50	NONE



LEFT-HAND LAY STANDARD

PIN. POST AND SPOOL INSULATOR

- ANSI CLASS C 2-1/4" NECK DIA.
- ANSI CLASS F 2-7/8" NECK DIA.
- ANSI CLASS J 3-1/2" NECK DIA.
- ANSI CLASS 53-2 1-3/4" NECK DIA.

**SUPER TOP-TIE LINE TIES
FOR USE ON
ALUMINUM TYPE CONDUCTORS WITH ANSI
CLASS PIN. POST AND SPOOL INSULATORS
AND MANY NON-STANDARD INSULATORS**

CONDUCTOR COLOR CODE
(SEE TABLE)

.102" ALUMINUM-
CLAD STEEL

GRIT DISTANCE

"B"

(HDPE)
PLASTIC
HOOK

(HDPE)
PLASTIC
TUBING

72825	01/25/18	RG	RG	HPS®	HUBBELL® POWER SYSTEMS <small>POWER SYSTEMS, INC.</small>
EC #	DATE	CHG BY	RESP ENG		
DESC OF DWG ADDED STT130 AND STT140 TO TABLE				<small>CONFIDENTIAL: THIS DRAWING AND ITS CONTACTS ARE CONFIDENTIAL AND THE EXCLUSIVE PROPERTY OF HUBBELL POWER SYSTEMS. NO PUBLICATION, DISTRIBUTION OR COPIES MAY BE MADE WITHOUT THE WRITTEN CONSENT OF HUBBELL POWER SYSTEMS. HUBBELL POWER SYSTEMS UNPUBLISHED ALL RIGHTS RESERVED UNDER THE COPYRIGHT LAWS</small>	TITLE SUPER TOP-TIE
REASON (S) FOR CHANGE: DISPOSITION OF MAT'L:		DO NOT SCALE THIS DRAWING			<small>SIZE</small> D
		DRN BY	JONES	DATE	04/21/97
		SHEET		1 OF 1	