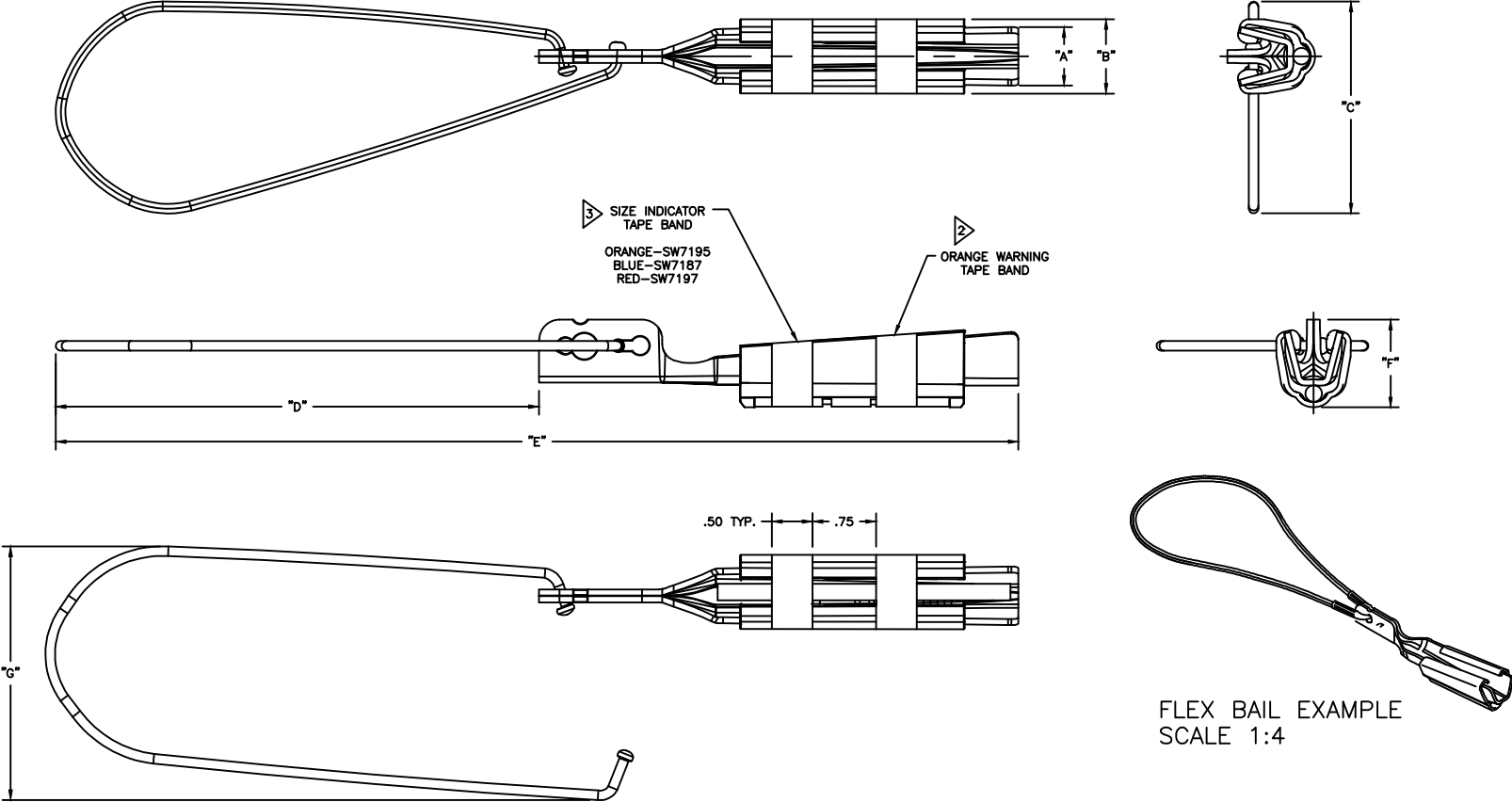


CATALOG NUMBER	SIZE INDICATOR TAPE COLOR	CONDUCTOR APPLICATION	DIMENSIONS IN INCHES						
			A	B	C	D	E	F	G
SW7195	ORANGE	ACSR/AAC #2-#6 AWG	.72	.92	2.5	6.0	11.9	1.1	3.1
SW7195FL		AAC #1 STR-#6 SOL. AWG DIA. RANGE: .160-.332	.72	.92	5.1	10.2	16.1	1.1	5.1
SW7187	BLUE	ACSR/AAC 1/0-#4 AWG	1.0	1.3	2.5	5.8	12.3	1.4	3.2
SW7187FL		AAC 2/0 STR-#2 SOL. AWG DIA. RANGE: .248-.414	1.0	1.3	5.1	10.5	17.0	1.4	5.1
SW7197	RED	ACSR/AAC 4/0-2/0 AWG	1.2	1.4	2.7	5.7	12.9	1.5	3.4
SW7197FL		AAC 4/0-2/0 AWG DIA. RANGE: .414-.565	1.2	1.4	5.1	10.1	17.2	1.5	5.1

NOTES:

- 1. PARTS PERFORMANCE TESTED REFERENCING ANSI C119.4 PULLOUT.
- 2. ALL SIZES GET ORANGE WARNING TAPE PER ANSI Z535.4.
- 3. ALL SIZES GET INDICATOR COLOR CODE TAPE.
- 4. FOR "GOLDEN", ANTI-CORROSION COATING VERSION, ADD "1" TO THE END OF THE CATALOG NUMBER IN TABLE.



FLEX BAIL EXAMPLE
SCALE 1:4

66316	8/10/16	BAF	DJS	ANDERSON TOLERANCE CHART ALL DIMENSIONS UNLESS OTHERWISE SPECIFIED DECIMALS: ±.015, ±.010, ±.005, ±.0025 FRACTIONS: ±1/32, ±1/64, ±1/128, ±1/256	HUBBELL POWER SYSTEMS TITLE: SW7195, SW7187, SW7197 SERVICE WEDGE
EC #	DATE	CHG BY	RESP ENG		
DESC OF DWG				SIZE	DWG NO.
ADD ANTI-CORROSION COATING NOTE.				C	CC-20598
REASON (S) FOR CHANGED				CAT / PART / ASSY NO.	REV
DISPOSITION OF MAT'L				SW----	04
DO NOT SCALE THIS DRAWING				DRN BY BAF	DATE 8/01/12
				SHEET 1	OF 1