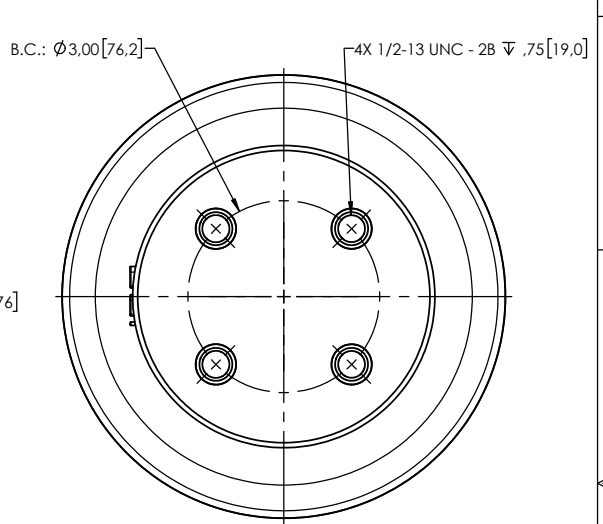
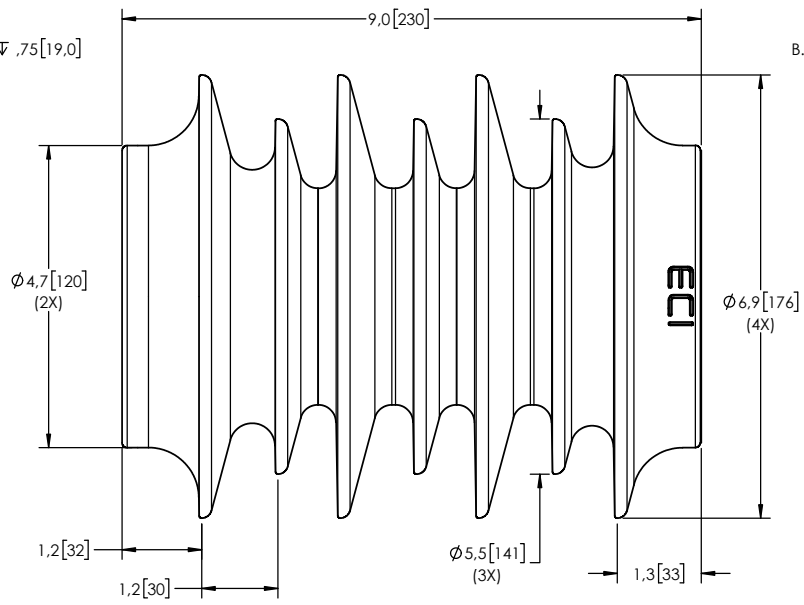
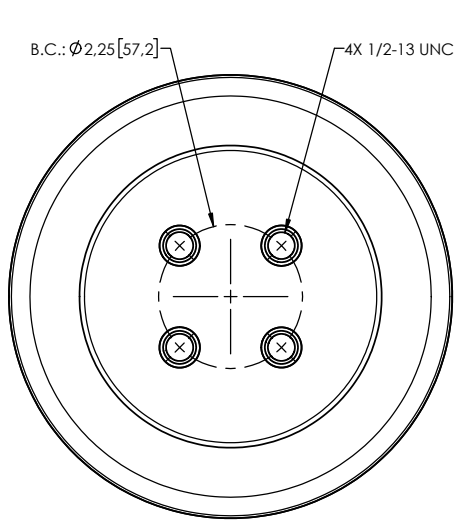
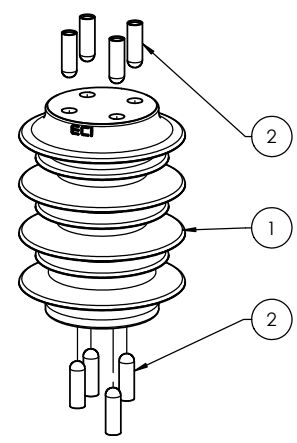


- NOTES:
- SPECIFICATIONS IN ACCORDANCE WITH ANSI C29.9.
 - TESTED IN ACCORDANCE WITH ANSI C29.1.
 - MECHANICAL PROPERTIES ARE FOR BOLT PATTERN AS SHOWN

REVISIONS					
ZONE	REV.	DESCRIPTION	DRAWN BY	DATE	APPR.



Model:	T002D
Physical properties	
Weight - lb (kg)	10.8 (4.9)
Color	Grey
Electrical Properties	
BIL - kV	150
Leakage distance - in (mm)	23.0 (584)
Arc distance - in (mm)	10.0 (254)
No. of Sheds	7
Minimum mechanical Properties	
Compressive - lbf (kN)	50000 (222.4)
Cantilever lbf (kN)	3000 (13.3)
Torsional - lbf·in (N·m)	17000 (1920.7)
Tensile - lbf (kN)	5500 (24.5)



ITEM NO.	QTY	DRAWING NO.	PART NO.	DESCRIPTION	NOTE / MAT'L
2	8		S-1001-0955-001	BLIND THREADED INSERT 1/2-13 X 3/4" (50mm LONG)	STEEL
1	1	S-1001-3240	-001	POST INSULATOR, CYCLOALIPHATIC RESIN	EC-APG-02

PARTS LIST					
GENERAL TOLERANCES (UNLESS OTHERWISE SPECIFIED)			Electro Composites™ solid HV bushings solution		
X.	±0.063				
.X	±0.031		TITLE: OUTDOOR APPARATUS INSULATOR MODEL: T002D		
.XX	±0.016				
.XXX	±0.008		DRAWN BY: M. FORGET DATE: 2020/02/17		
ANGLES	±0.5°		CHECK BY:		
DIAMETERS	±0.031		PROJECT NO.:		
REMOVE BURRS AND BREAK SHARP EDGES			PROJECT MANAGER:		
DIMENSIONS ARE IN INCHES (UNLESS OTHERWISE SPECIFIED)			SCALE: 1:3		
			CAGE CODE:		
			DRAWING NO.: S-1001-3240		
			REVISION: NR		
			GENERATED BY: SolidWorks 2020		
			SHEET: 1 of 1		

This drawing is the proprietary property of Electro Composites (2008) ULC, not part of the public domain, and is issued with the express understanding and agreement that it is not to be reproduced or copied in whole or in part or issued for furnishing information to others, or used directly or indirectly, in any way detrimental to the interest of Electro Composites (2008) ULC and is to be returned upon request by Electro Composites (2008) ULC. All Rights Reserved.