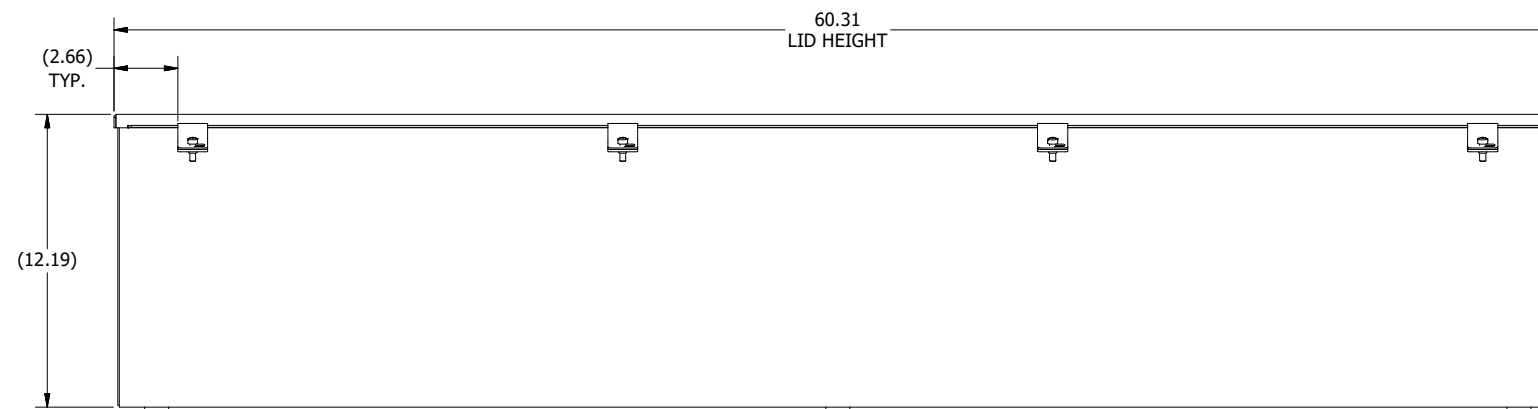
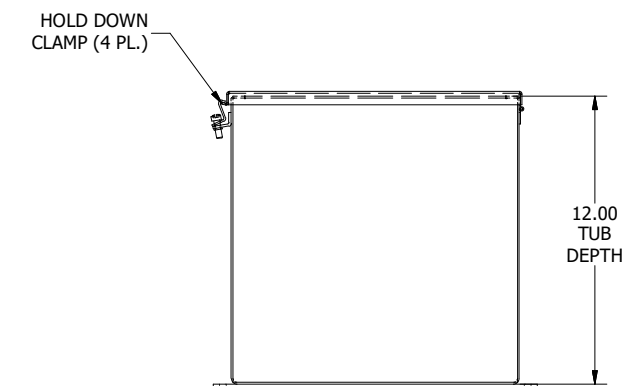


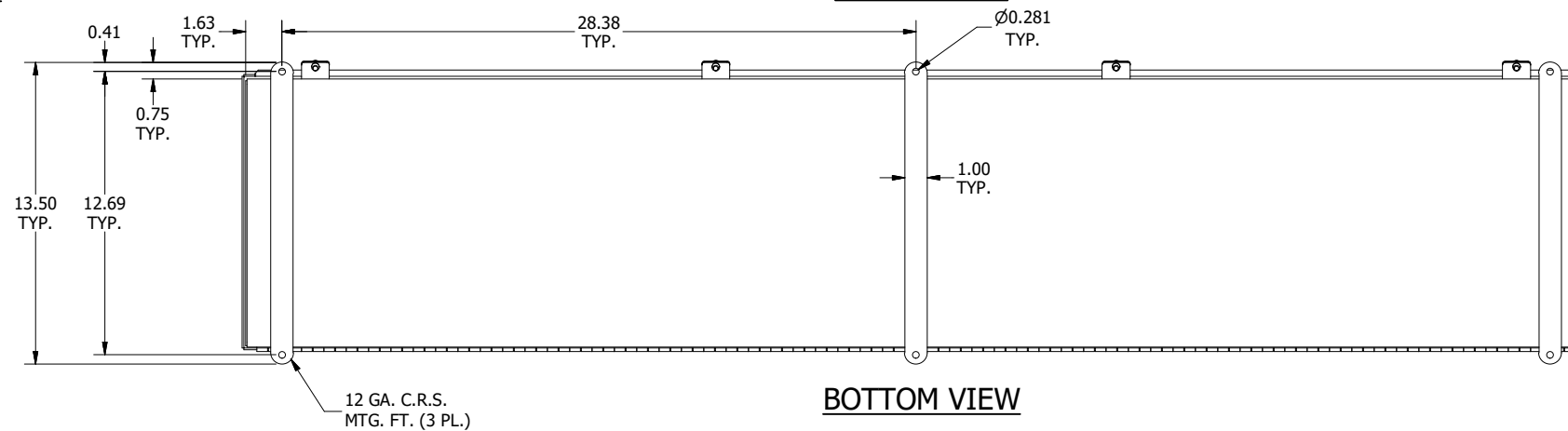
**LEFT SIDE VIEW**



**FRONT VIEW**



**RIGHT SIDE VIEW**



**PART #:T121260CH**  
 (DATA SUBJECT TO CHANGE WITHOUT NOTICE)  
 THIS DRAWING IS THE PROPERTY OF HUBBELL INC. WIEGMANN  
 ALL INFORMATION IS PROPRIETARY AND NOT TO BE DUPLICATED