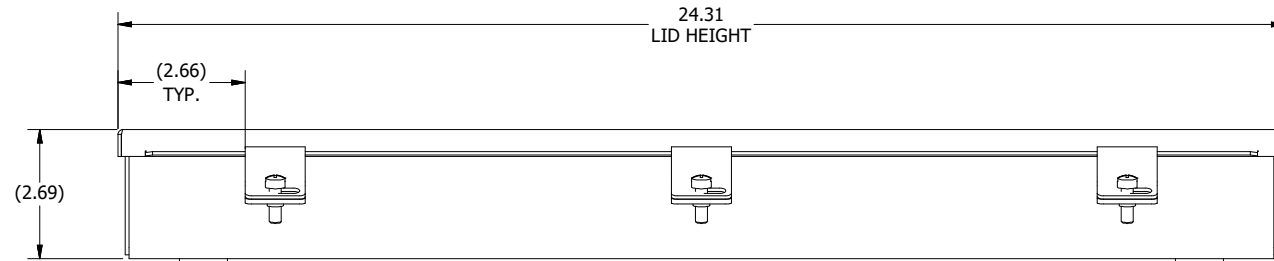
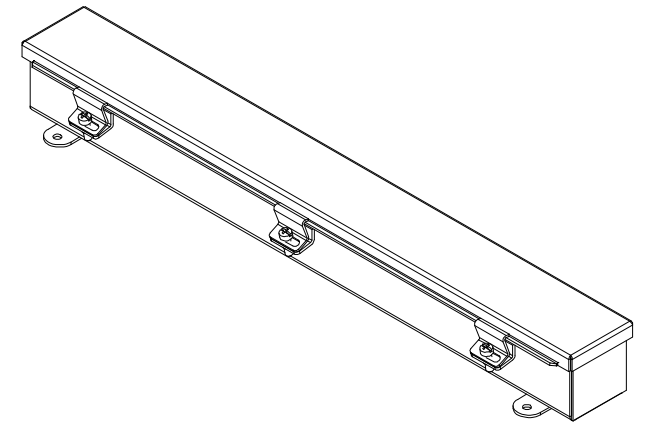
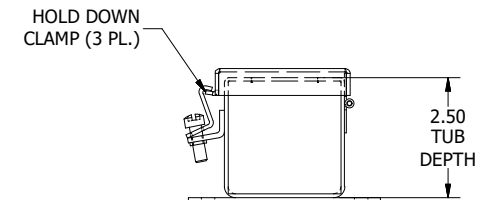


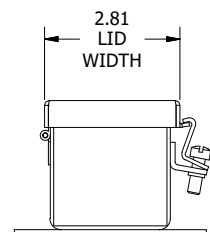
**TOP VIEW
 (COVER REMOVED)**



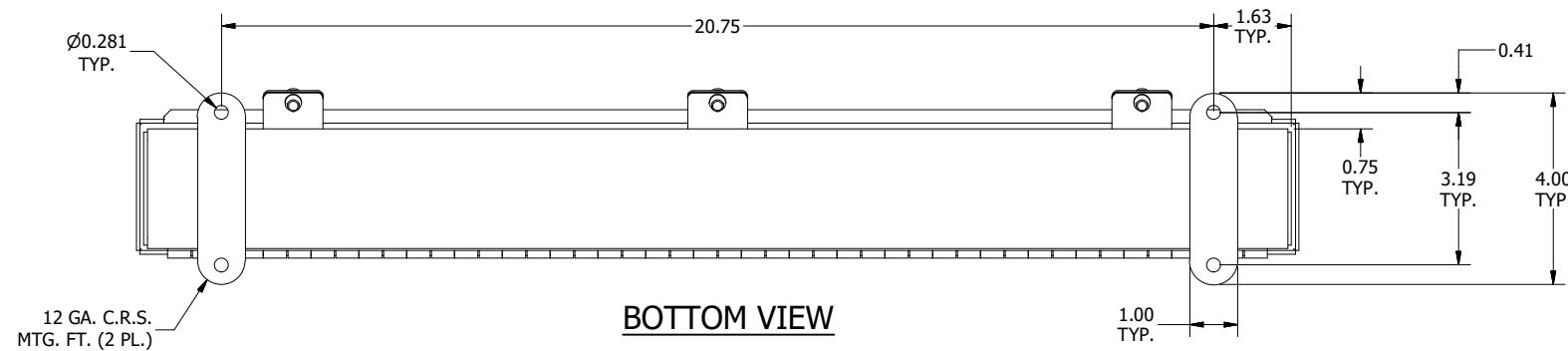
FRONT VIEW



RIGHT SIDE VIEW



LEFT SIDE VIEW



BOTTOM VIEW

PART #:T2224CH
 (DATA SUBJECT TO CHANGE WITHOUT NOTICE)
 THIS DRAWING IS THE PROPERTY OF HUBBELL INC. WIEGMANN
 ALL INFORMATION IS PROPRIETARY AND NOT TO BE DUPLICATED