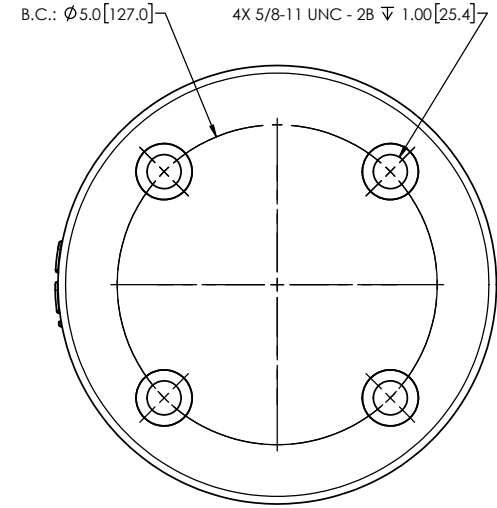
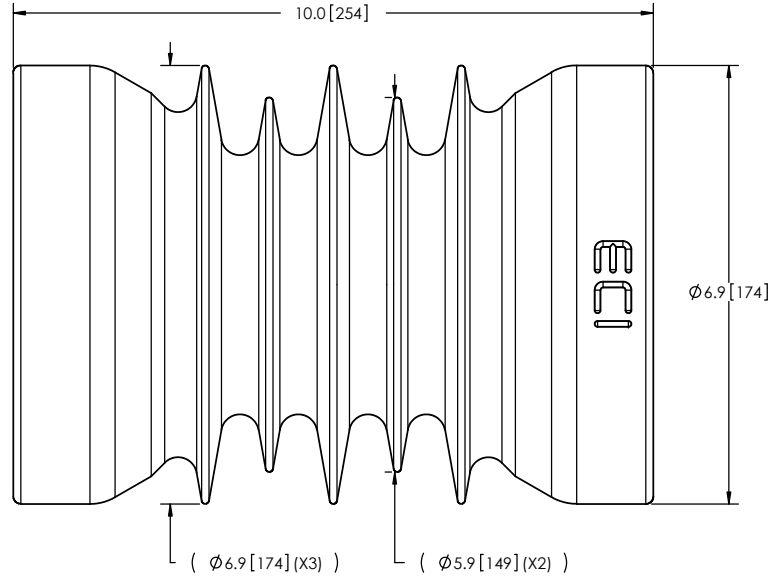
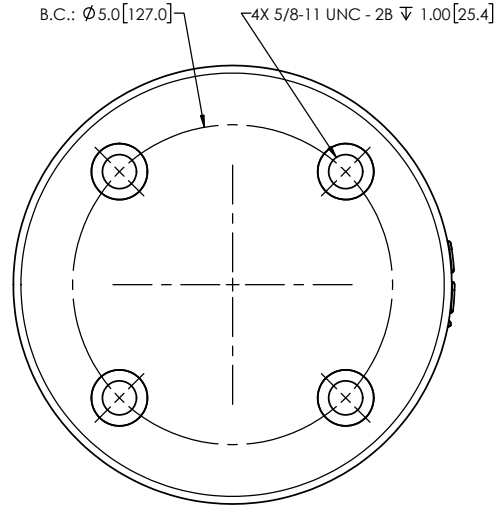
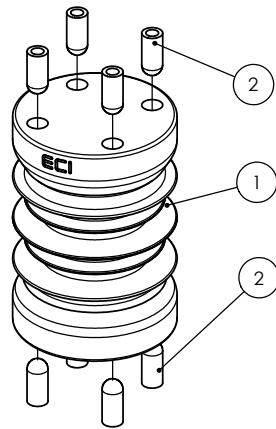


NOTES:

REVISIONS					
ZONE	REV.	DESCRIPTION	DRAWN BY	DATE	APPR.



Model:	T222C
Physical properties	
Weight - lb (kg)	21.0 (9.5)
Color	Grey
Electrical Properties	
BIL - kV	95
Leakage distance - in (mm)	18.5 (470)
Arc distance - in (mm)	10.0 (254)
No. of Sheds	5
Minimum mechanical Properties	
Compressive - lbf (kN)	20000 (89.0)
Cantilever lbf (kN)	4000 (17.8)
Torsional - lbf·in (N·m)	12000 (53400)
Tensile - lbf (kN)	15000 (66.7)



ITEM NO.	QTY	DRAWING NO.	PART NO.	DESCRIPTION	NOTE / MAT'L
2	8	S-8404-10346		INSERT Ø5/8-11 X 1" LONG	S.STEEL 303
1	1	S-8404-10345		CASTING, CYCLOALIPHATIC RESIN	EC-APG-02

PARTS LIST

GENERAL TOLERANCES (UNLESS OTHERWISE SPECIFIED)

X.	±0.063
.X	±0.031
.XX	±0.016
.XXX	±0.008
ANGLES	±0.5°
DIAMETERS	±0.031

REMOVE BURRS AND BREAK SHARP EDGES

DIMENSIONS ARE IN INCHES (UNLESS OTHERWISE SPECIFIED)

Electro Composites™
solid HV bushings solution

TITLE:
INSULATOR 25KV
MODEL: T222C

DRAWN BY: M. FORGET	DATE: 2021/09/29	FORMAT: A	CAGE CODE	DRAWING NO.: S-8404-10345	REVISION: NR
CHECK BY:		PROJECT ENG.:		GENERATED BY: SolidWorks 2021	SHEET: 1 of 1
PROJECT MGR.:		SCALE: 1:3			

This drawing is the proprietary property of Electro Composites (2008) ULC, not part of the public domain, and is issued with the express understanding and agreement that it is not to be reproduced or copied in whole or in part or issued for furnishing information to others, or used directly or indirectly, in any way detrimental to the interest of Electro Composites (2008) ULC and is to be returned upon request by Electro Composites (2008) ULC. All Rights Reserved.