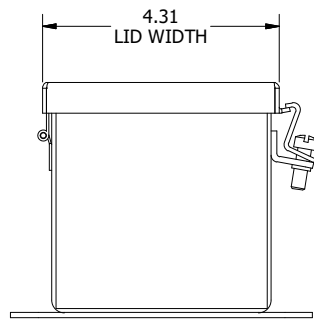
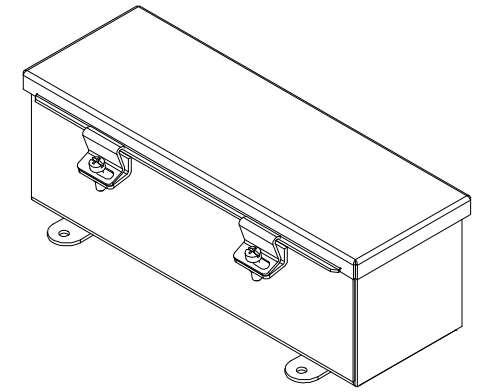
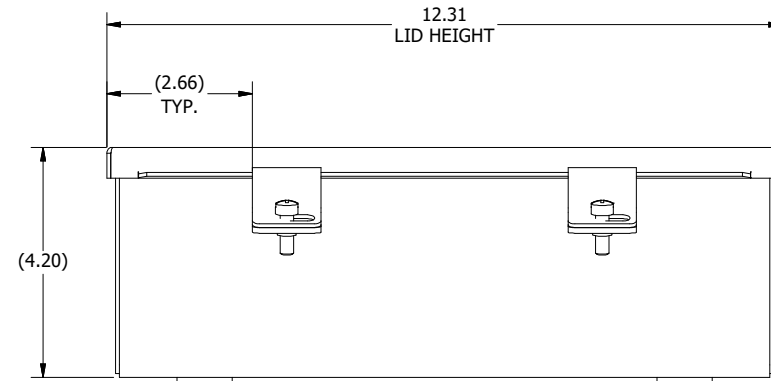


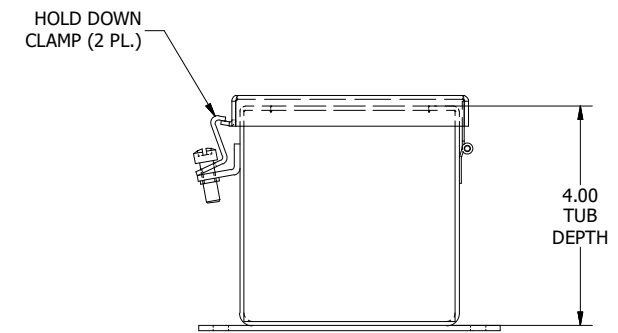
**TOP VIEW  
(COVER REMOVED)**



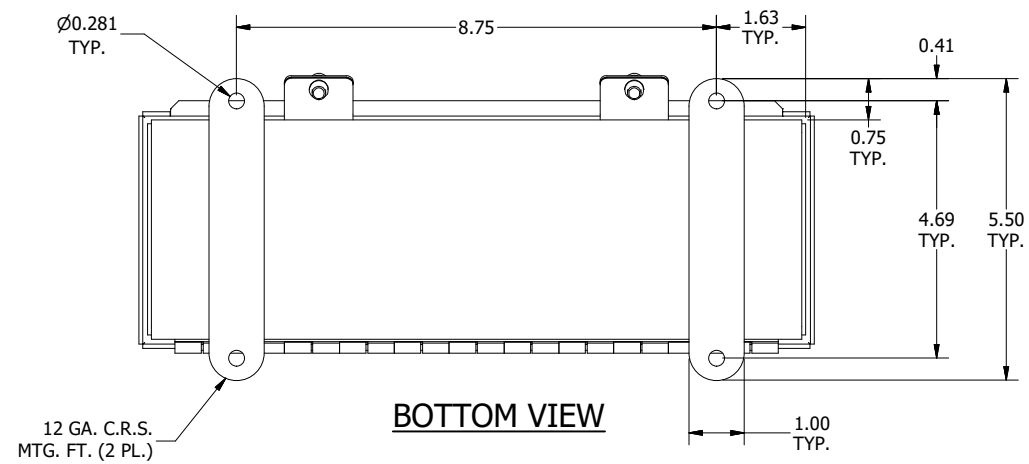
**LEFT SIDE VIEW**



**FRONT VIEW**



**RIGHT SIDE VIEW**



**BOTTOM VIEW**

**PART #:T4412CH**  
**(DATA SUBJECT TO CHANGE WITHOUT NOTICE)**  
 THIS DRAWING IS THE PROPERTY OF HUBBELL INC. WIEGMANN  
 ALL INFORMATION IS PROPRIETARY AND NOT TO BE DUPLICATED