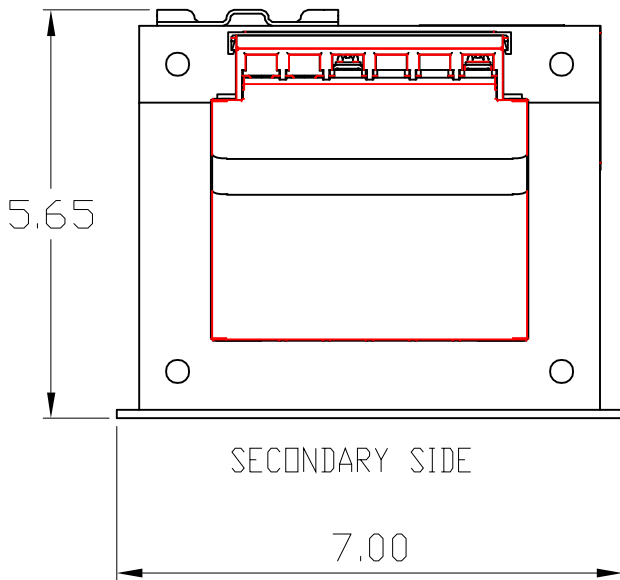
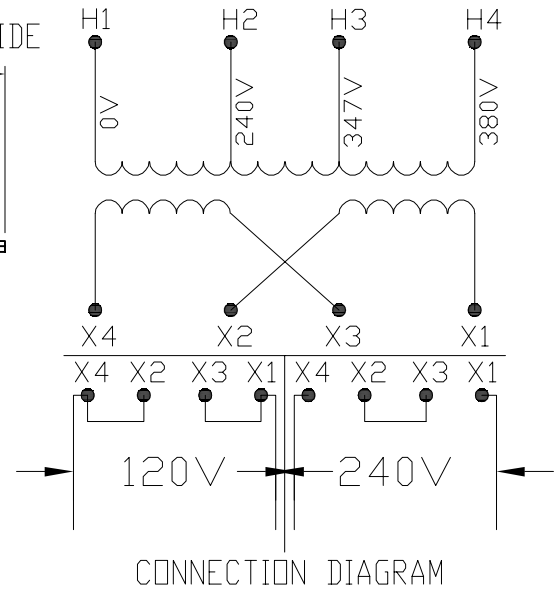
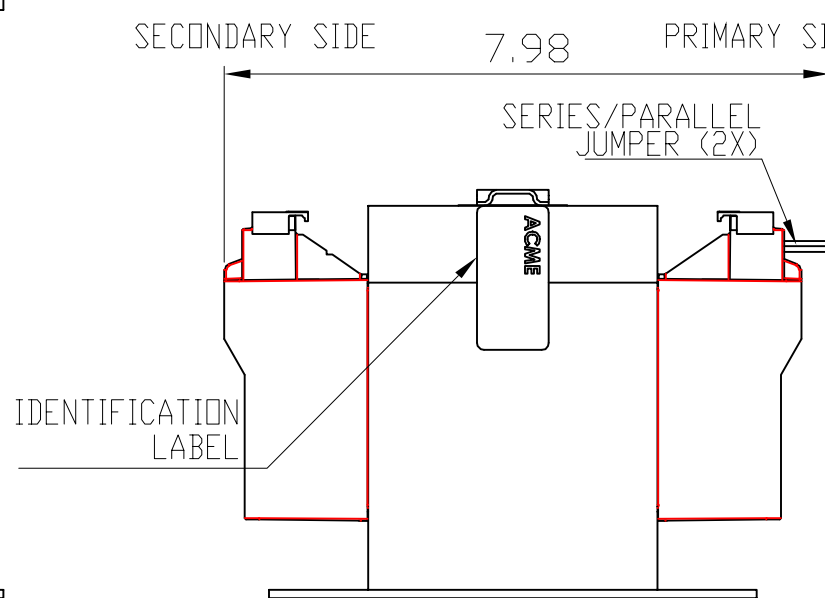


TRANSFORMER SPECIFICATIONS	
PRIMARY VOLTAGE(S)	240/347/380
SECONDARY VOLTAGE(S)	120x240
RATED V.A.	2000
RATED FREQUENCY	50/60
INSULATION CLASS	180°C @ MAX RISE 115°C
AGENCY APPROVALS	UL, CUL
ESTIMATED WEIGHT	38 LBS



SECONDARY SIDE 7.98 PRIMARY SIDE



DIMENSIONS ARE IN INCHES TOLERANCES: .XX ± .03 .XXX ± .010 ANGULAR: ± 1°	DRAWN BY:	VS	DATE	06/08/2020
	CHECKED BY:			
SOURCE	N/A			
MATERIAL	N/A			
FINISH	N/A			
DO NOT SCALE DRAWING	PROPRIETARY AND CONFIDENTIAL THE INFORMATION CONTAINED IN THIS DRAWING IS THE SOLE PROPERTY OF ACME ELECTRIC. ANY REPRODUCTION IN PART OR AS A WHOLE WITHOUT THE WRITTEN PERMISSION OF ACME ELECTRIC IS PROHIBITED.			

		DESCRIPTION:	2000 VA
		SIZE DWG. NO.	A TB2000N012
WEIGHT:	LBS.	SHEET 1 OF 1	