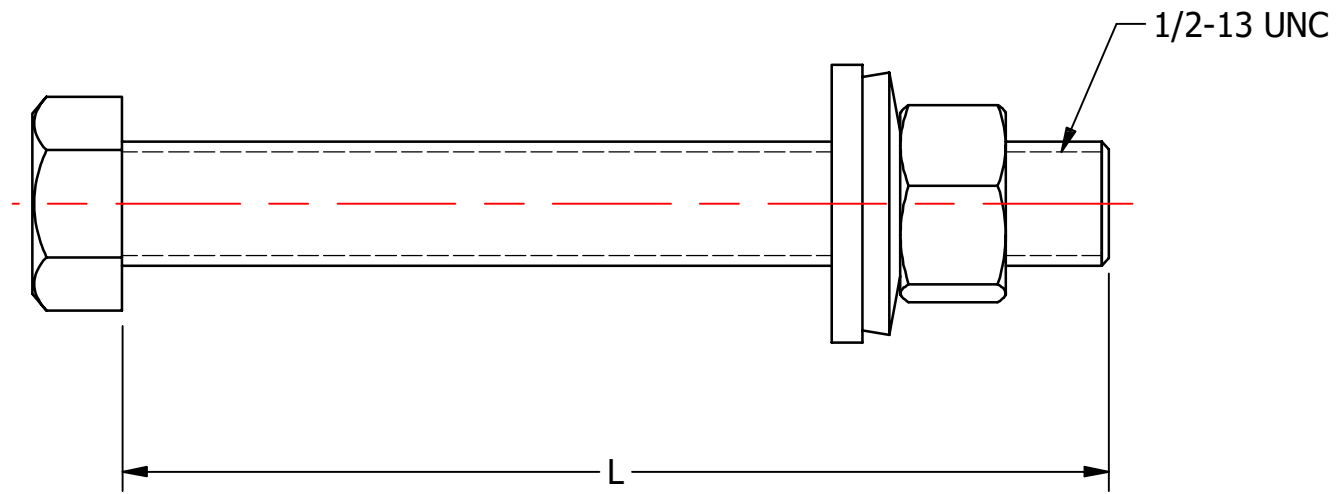
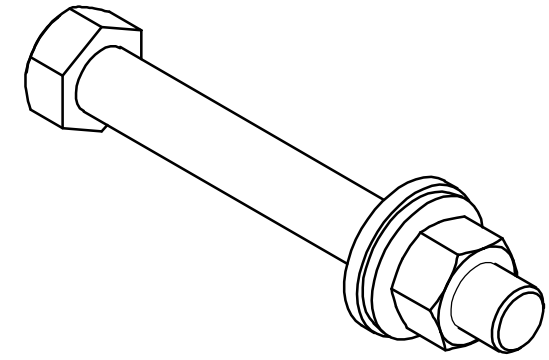
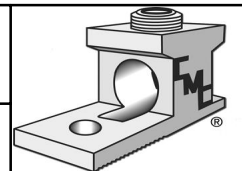


S.NO	CATALOG NUMBER	L
1	SBA15-50	1.50 [38]
2	SBA15-50S	1.50 [38]
3	SBA17-50	1.75 [44]
4	SBA17-50S	1.75 [44]
5	SBA20-50	2.00 [51]
6	SBA20-50S	2.00 [51]
7	SBA225-50	2.25 [57]
8	SBA225-50S	2.25 [57]
9	SBA25-50	2.50 [64]
10	SBA25-50S	2.50 [64]
11	SBA275-50	2.75 [70]
12	SBA275-50S	2.75 [70]
13	SBA30-50	3.00 [76]
14	SBA30-50S	3.00 [76]
15	SBA35-50	3.50 [89]
16	SBA35-50S	3.50 [89]
17	SBA40-50	4.00 [102]
18	SBA40-50S	4.00 [102]



REV.	DESCRIPTION	ECN	DATE	INIT.
A	NEW DRAWING CREATED		12/18/18	TS

TO ORDER CMC PRODUCTS CALL 1-513-860-4455 FOR PRODUCT INFO: http://www.cmclugs.com	DRAWN BY: TS	NAME OF PART: BOLT ASSEMBLY	CAT. NO.: SEE TABLE
	CHECKED BY:	DWG NO: U08492008-S (CHARTED)	A
DRAWING NOT TO SCALE		SHEET NO: 1 OF 1	



THIS INFORMATION IS PROPRIETARY TO CONNECTOR MFG. CO. AND IS NOT TO BE DISCLOSED OUTSIDE OF CONNECTOR MFG. CO. WITHOUT A CONFIDENTIALITY AGREEMENT

TempEmbed.bmp

CONNECTOR MANUFACTURING CO.

HAMILTON, OHIO