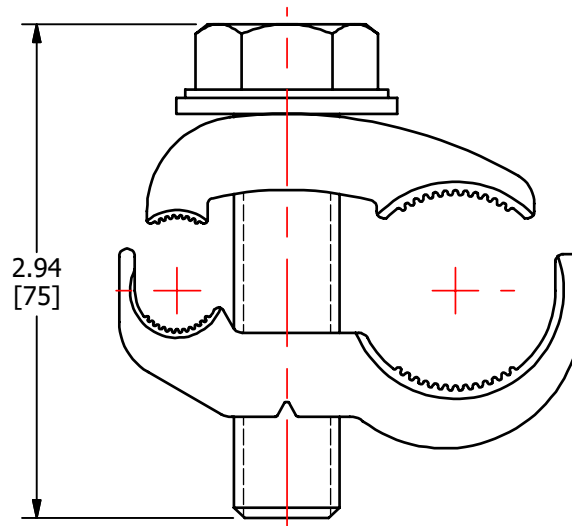
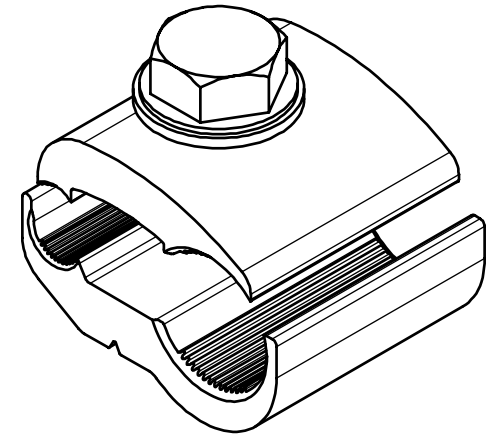
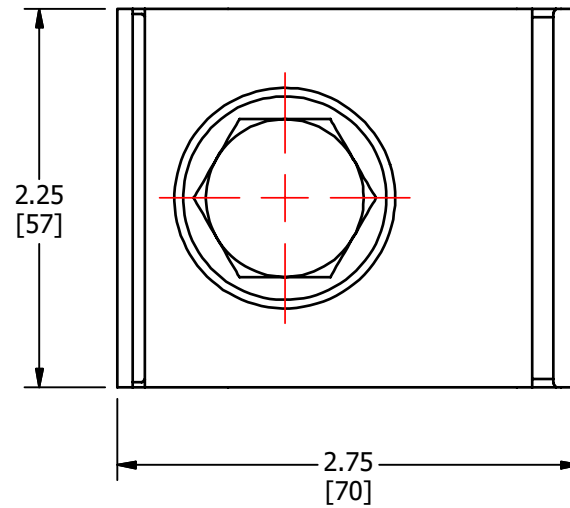
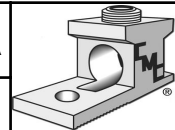


S.NO	CATALOG NUMBER
1	APR-1000I
2	APR-1000-I



MATERIAL: ALUMINUM
 CONDUCTOR RANGE: 1000MCM - 397ACSR
 2/0 ACSR - 6SOL

					TO ORDER CMC PRODUCTS	DRAWN BY: TS	NAME OF PART:	CAT. NO.:
					UNITED STATES 1-513-860-4455	07-15-20	PARALLEL CLAMP ASSEMBLY	SEE TABLE
					CANADA 1-800-361-6975	CHECKED BY:	DWG NO:	A
					MEXICO 011-52-722-265-4400		U08496009-S	
A	NEW DRAWING CREATED		07-15-20	TS	FOR PRODUCT INFO www.cmcugs.com	DRAWING NOT TO SCALE		SHEET NO: 1 OF 1
REV.	DESCRIPTION	ECN	DATE	INIT.				



THIS INFORMATION IS PROPRIETARY TO CONNECTOR MFG. CO. AND IS NOT TO BE DISCLOSED OUTSIDE OF CONNECTOR MFG. CO. WITHOUT A CONFIDENTIALITY AGREEMENT



CONNECTOR MANUFACTURING CO.

HAMILTON, OHIO