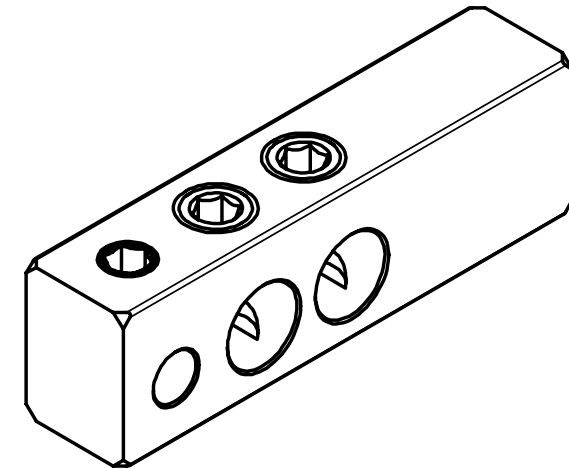
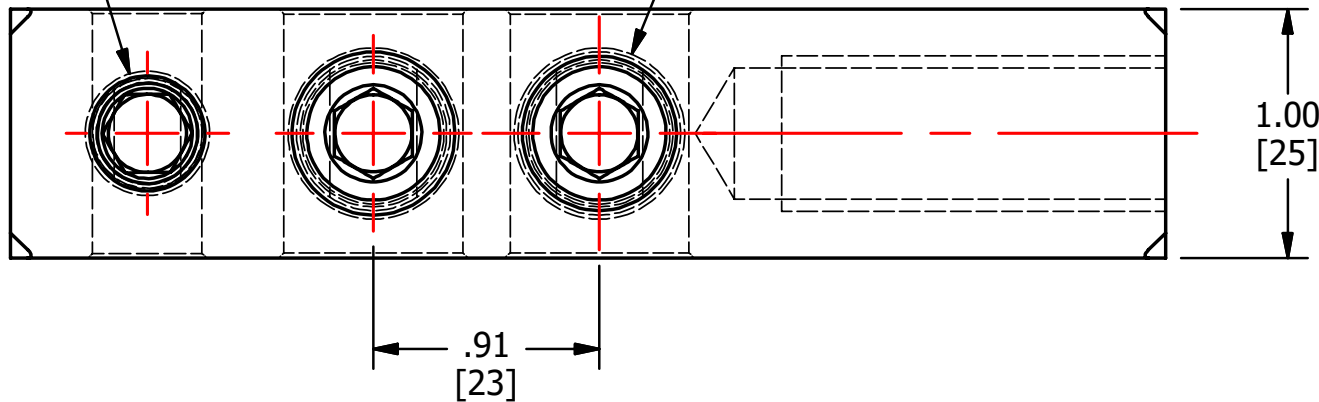
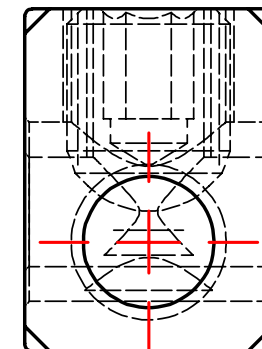
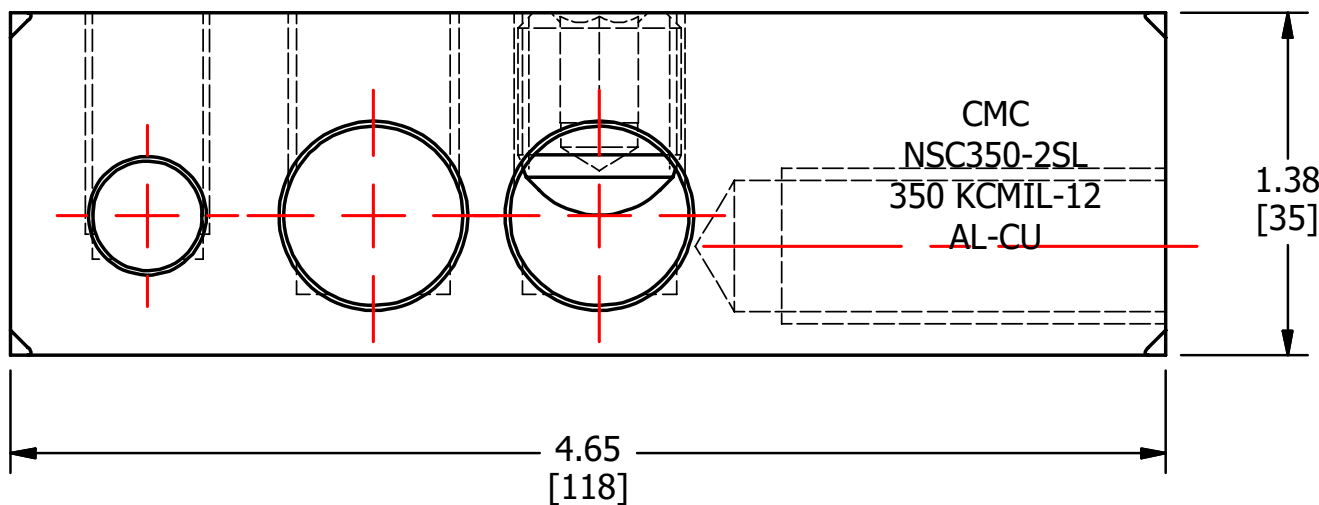
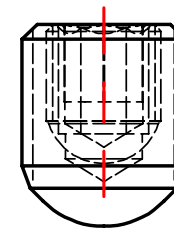
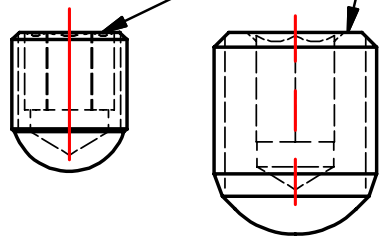


TAP 1/2-20 UNF

TAP 11/16-16 UN  
(2 PLACES)



SCREWS ARE SUPPLIED WITH  
CONNECTOR AND COMES  
FULLY ASSEMBLED.

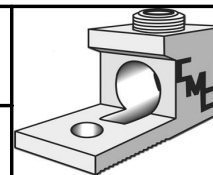


					TO ORDER CMC PRODUCTS CALL 1-513-860-4455	DRAWN BY: TS 03/20/19	NAME OF PART: STUD MOUNT CONNECTOR ASSEMBLY	CAT. NO.: NSC350-2SL
					FOR PRODUCT INFO: <a href="http://www.cmclugs.com">http://www.cmclugs.com</a>	CHECKED BY:	DWG NO: U08498265-S	A
A	NEW DRAWING CREATED		03/20/19	TS		DRAWING NOT TO SCALE		SHEET NO: 1 OF 1
REV.	DESCRIPTION	ECN	DATE	INIT.				

THIS INFORMATION IS PROPRIETARY TO CONNECTOR MFG. CO. AND IS NOT TO BE DISCLOSED OUTSIDE OF CONNECTOR MFG. CO. WITHOUT A CONFIDENTIALITY AGREEMENT



**CONNECTOR MANUFACTURING CO.**



HAMILTON, OHIO