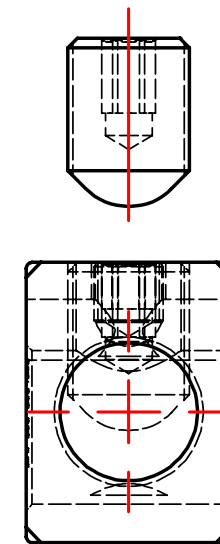
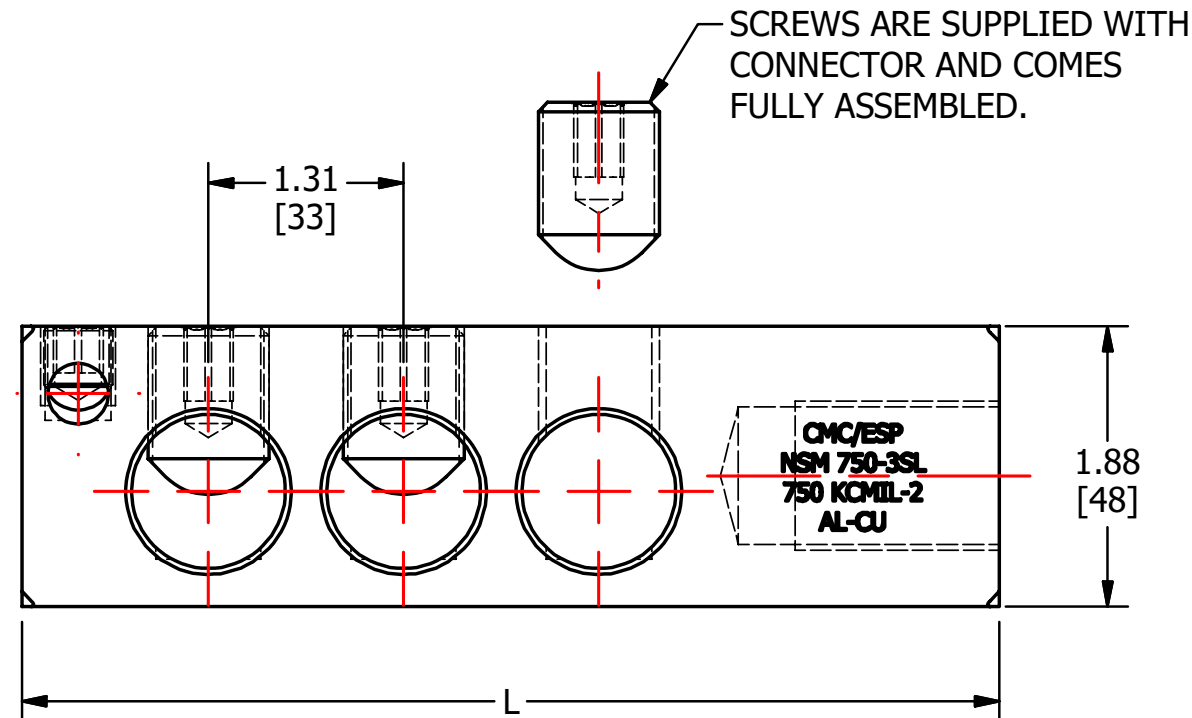
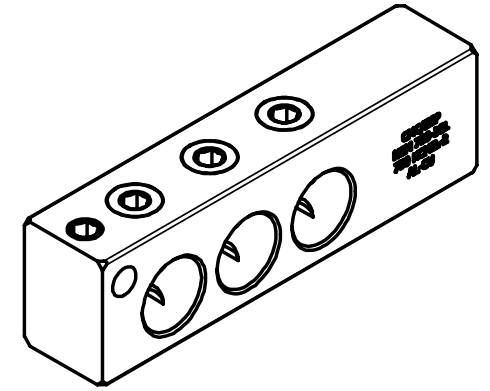
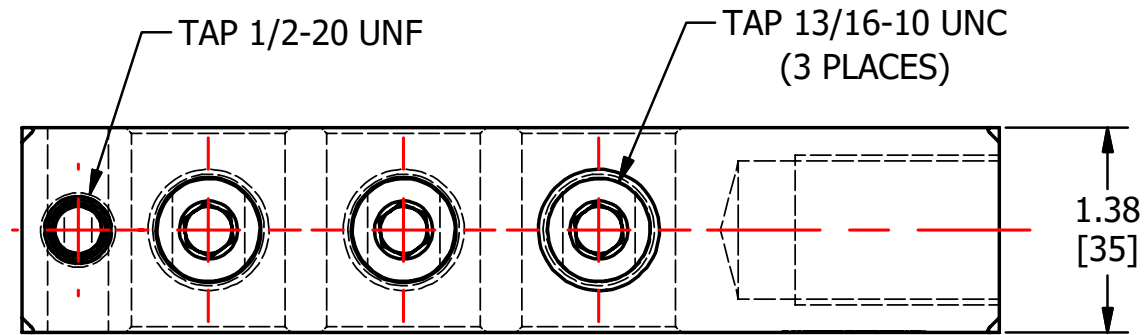


S.NO	CATALOG NUMBER	L	B
1	NSM750-2SL	5.25 [133]	2
2	NSM750-3SL	6.56 [167]	3
3	NSM750-4SL	7.87 [200]	4
4	NSM750-4SLI	7.87 [200]	4
5	NSM750-6SL	10.49 [266]	6
6	NSM750-6SLI	10.49 [266]	6
7	NSM750-8SL	13.11 [333]	8
8	NSM750-8SLI	13.11 [333]	8

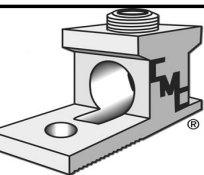


					TO ORDER CMC PRODUCTS CALL 1-513-860-4455	DRAWN BY: TS 02/05/19	NAME OF PART: STUD MOUNT CONNECTOR	CAT. NO.: SEE TABLE
					FOR PRODUCT INFO: http://www.cmclugs.com	CHECKED BY:	DWG NO: U08498319-S (CHARTED)	A
A	NEW DRAWING CREATED		02/05/19	TS		DRAWING NOT TO SCALE		SHEET NO: 1 OF 1
REV.	DESCRIPTION	ECN	DATE	INIT.				

THIS INFORMATION IS PROPRIETARY TO CONNECTOR MFG. CO. AND IS NOT TO BE DISCLOSED OUTSIDE OF CONNECTOR MFG. CO. WITHOUT A CONFIDENTIALITY AGREEMENT



CONNECTOR MANUFACTURING CO.



HAMILTON, OHIO