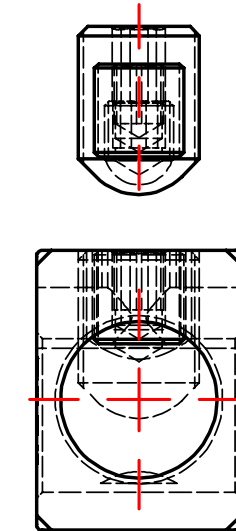
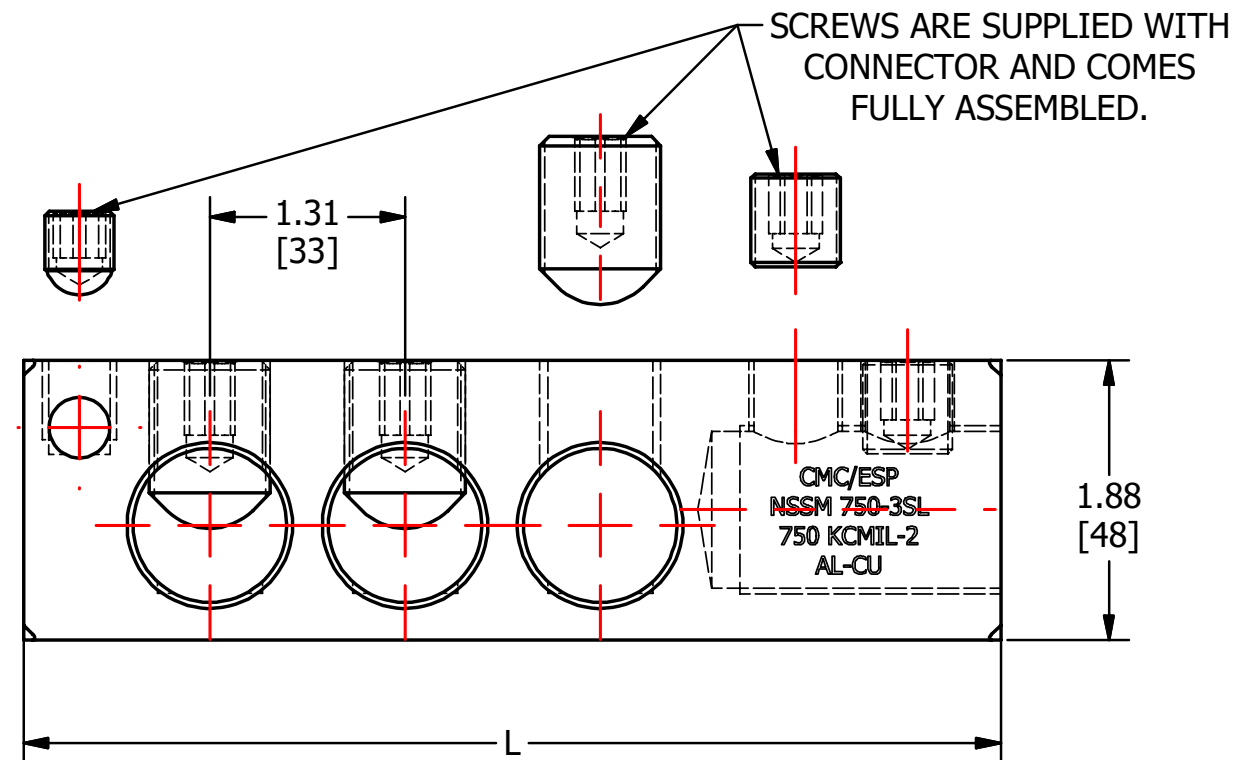
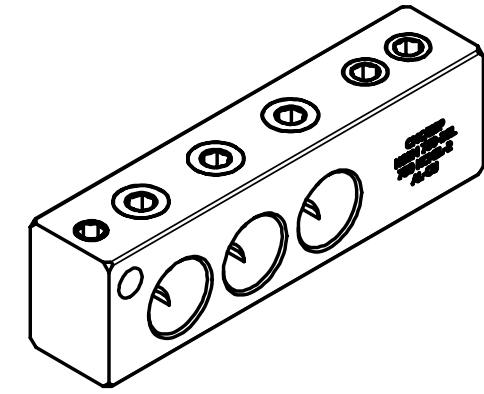
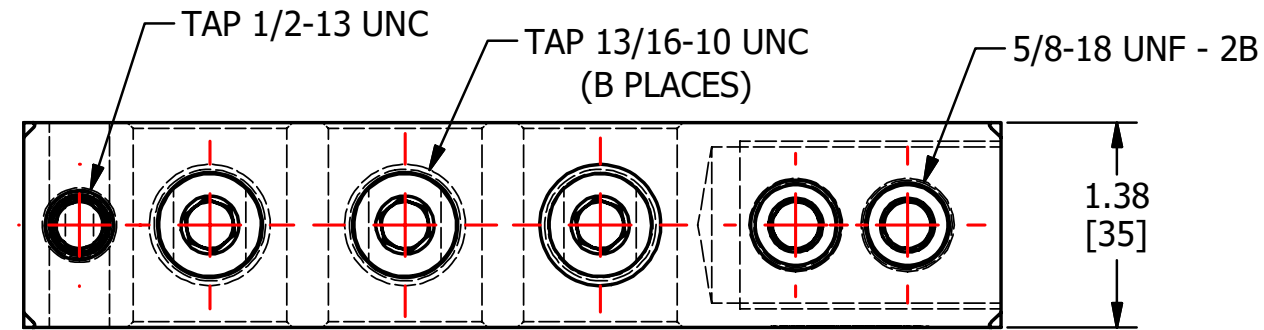


S.NO	CATALOG NUMBER	L	B
1	NSSM750-2SL	5.25 [133]	2
2	NSSM750-3SL	6.56 [167]	3
3	NSSM750-4SL	8.71 [221]	4
4	NSSM750-4SLI	8.71 [221]	4
5	NSSM750-6SL	10.49 [266]	6
6	NSSM750-8SL	13.11 [333]	8

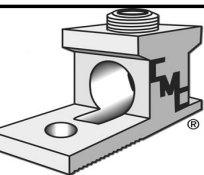


					TO ORDER CMC PRODUCTS CALL 1-513-860-4455	DRAWN BY: TS 02/05/19	NAME OF PART: STUD MOUNT CONNECTOR	CAT. NO.: SEE TABLE
					FOR PRODUCT INFO: <a href="http://www.cmclugs.com">http://www.cmclugs.com</a>	CHECKED BY:	DWG NO: U08498324-S (CHARTED)	A
A	NEW DRAWING CREATED		02/05/19	TS		DRAWING NOT TO SCALE		SHEET NO: 1 OF 1
REV.	DESCRIPTION	ECN	DATE	INIT.				

THIS INFORMATION IS PROPRIETARY TO CONNECTOR MFG. CO. AND IS NOT TO BE DISCLOSED OUTSIDE OF CONNECTOR MFG. CO. WITHOUT A CONFIDENTIALITY AGREEMENT



**CONNECTOR MANUFACTURING CO.**



HAMILTON, OHIO