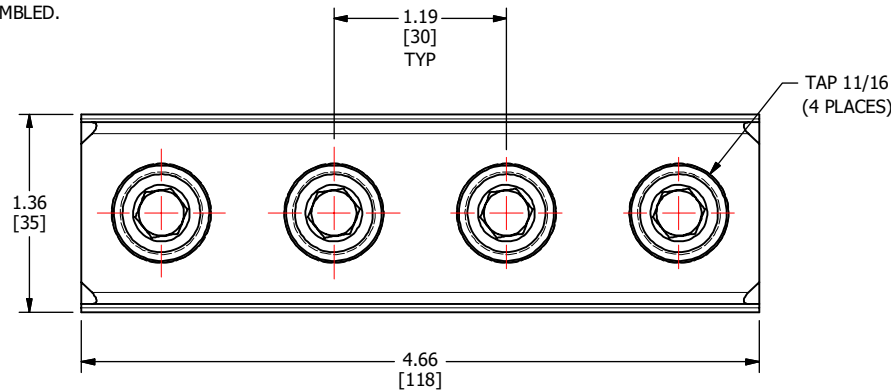


SCREWS ARE SUPPLIED WITH CONNECTOR AND COMES FULLY ASSEMBLED.



- DESIGNED TO REDUCE CANTILEVER STRESS ON THE BUSHING BY 50% AND INCREASE AVAILABLE SAFE SPACE
- CLEAR PLATED FOR LOW-CONTACT RESISTANCE
- ALLOWS LEFT OR RIGHT-HAND INSTALLATION
- FULLY TESTED TO ANSI C119.4 FOR CLASS 'A' CONNECTORS
- OFFERS FAST, ECONOMICAL, REUSABLE, DEPENDABLE CONNECTIONS FOR RIGHT OR LEFT-HAND INSTALLATIONS
- SUPPLIED WITH ALUMINIUM RADIAL-TIPPED SETSCREWS
- CONNECTOR FABRICATED FROM 6061-T6 ALUMINIUM ALLOY FOR CONDUCTIVITY AND STRENGTH
- 105°C RATED CLEAR PLASTISOL COVER AVAILABLE
- INCLUDES CO-OX OXIDE INHIBITOR IN ALL CONDUCTOR HOLES AND STUD-MOUNTING HOLE
- EACH UNIT INDIVIDUALLY WRAPPED AND LABELLED FOR EASE OF IDENTIFICATION AND CLEANLINESS
- FOR INSTALLATION, CMC® RECOMMENDS THE USE OF A 9" INSULATED ALLEN WRENCH
- FOR USE ON BOTH 5/8" AND 1" STUDS IN SCREW-ON AND QUICK-DISCONNECT MODELS
- CONDUCTOR RANGE: 350KCMIL-12 (AL OR CU)

				TO ORDER CMC PRODUCTS		DRAWN BY: TS		NAME OF PART:		CAT. NO.:	
				UNITED STATES 1-513-860-4455		09-07-20		SPACE-SAVER STUD-MOUNT TRANSFORMER CONNECTOR		USM350-4I	
				CANADA 1-800-361-6975		CHECKED BY:		DWG NO:		B	
				MEXICO 011-52-722-265-4400				U08498507I-S			
				FOR PRODUCT INFO www.cmcugs.com		DRAWING NOT TO SCALE		SHEET NO: 1 OF 1			
A		NEW DRAWING CREATED		09-07-20		TS					
REV.	DESCRIPTION	ECN	DATE	INIT.							

THIS INFORMATION IS PROPRIETARY TO CONNECTOR MFG. CO. AND IS NOT TO BE DISCLOSED OUTSIDE OF CONNECTOR MFG. CO. WITHOUT A CONFIDENTIALITY AGREEMENT



CONNECTOR MANUFACTURING CO.

HAMILTON, OHIO