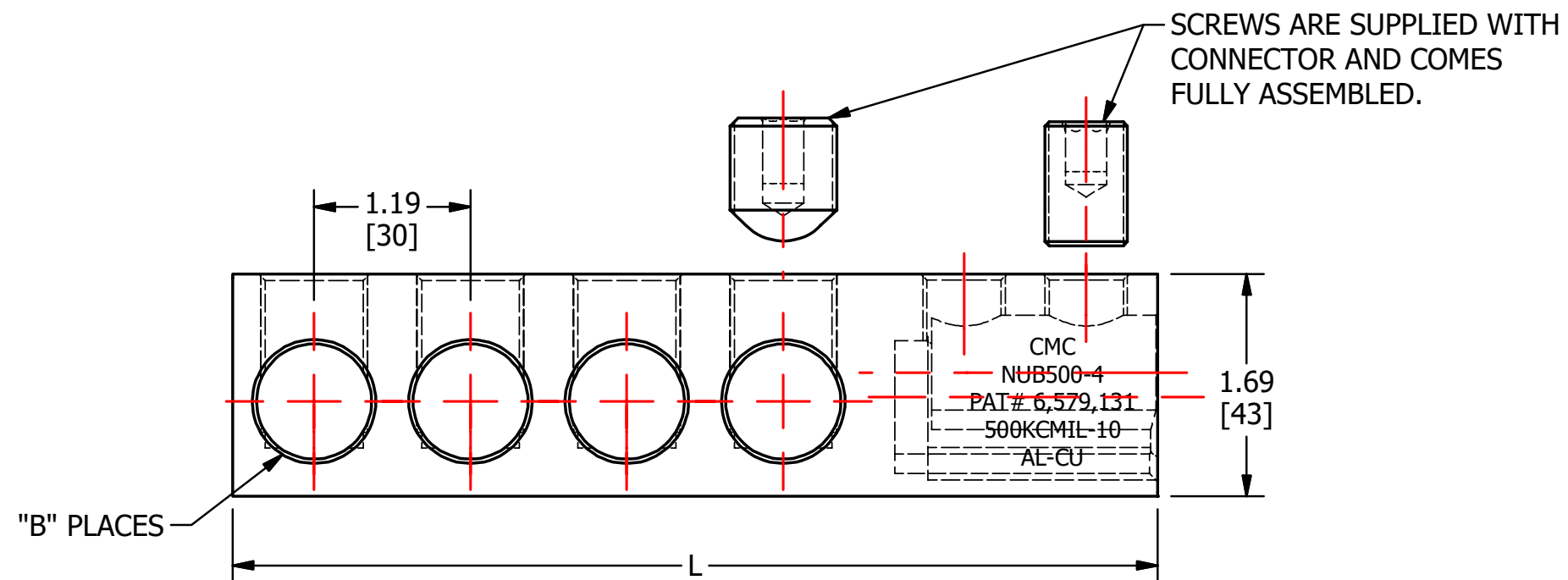
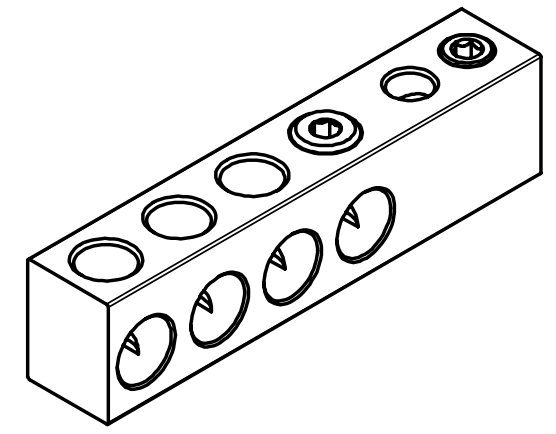
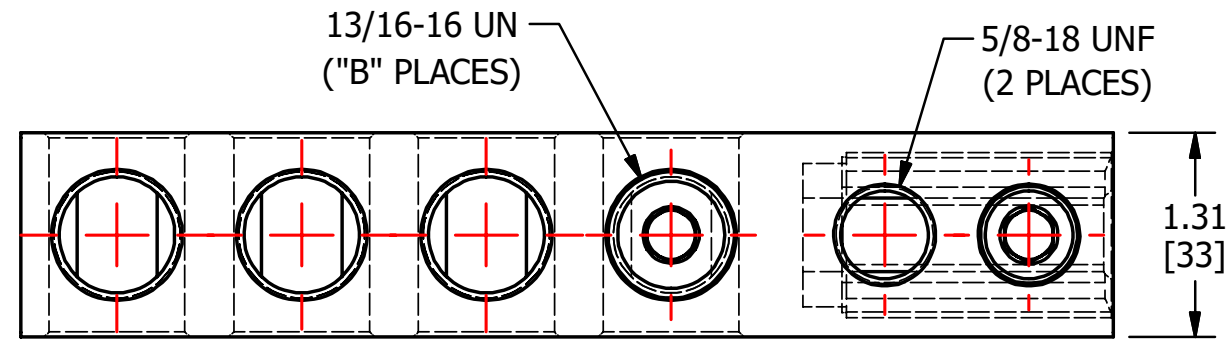


S.NO	CATALOG NUMBER	L	B
1	NUB500-4I	7.04 [179]	4
2	NUB500-4	7.04 [179]	4
3	NUB500-6I	9.42 [239]	6
4	NUB500-6	9.42 [239]	6
5	NUB500-8I	11.80 [300]	8
6	NUB500-8	11.80 [300]	8

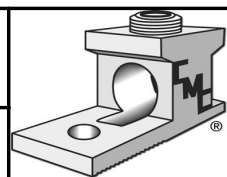


					TO ORDER CMC PRODUCTS CALL 1-513-860-4455	DRAWN BY: TS 03/20/19	NAME OF PART: STUD MOUNT CONNECTOR ASSEMBLY	CAT. NO.: SEE TABLE
					FOR PRODUCT INFO: http://www.cmclugs.com	CHECKED BY:	DWG NO: U08498926-S (CHARTED)	A
A	NEW DRAWING CREATED		03/20/19	TS		DRAWING NOT TO SCALE		SHEET NO: 1 OF 1
REV.	DESCRIPTION	ECN	DATE	INIT.				

THIS INFORMATION IS PROPRIETARY TO CONNECTOR MFG. CO. AND IS NOT TO BE DISCLOSED OUTSIDE OF CONNECTOR MFG. CO. WITHOUT A CONFIDENTIALITY AGREEMENT



CONNECTOR MANUFACTURING CO.



HAMILTON, OHIO