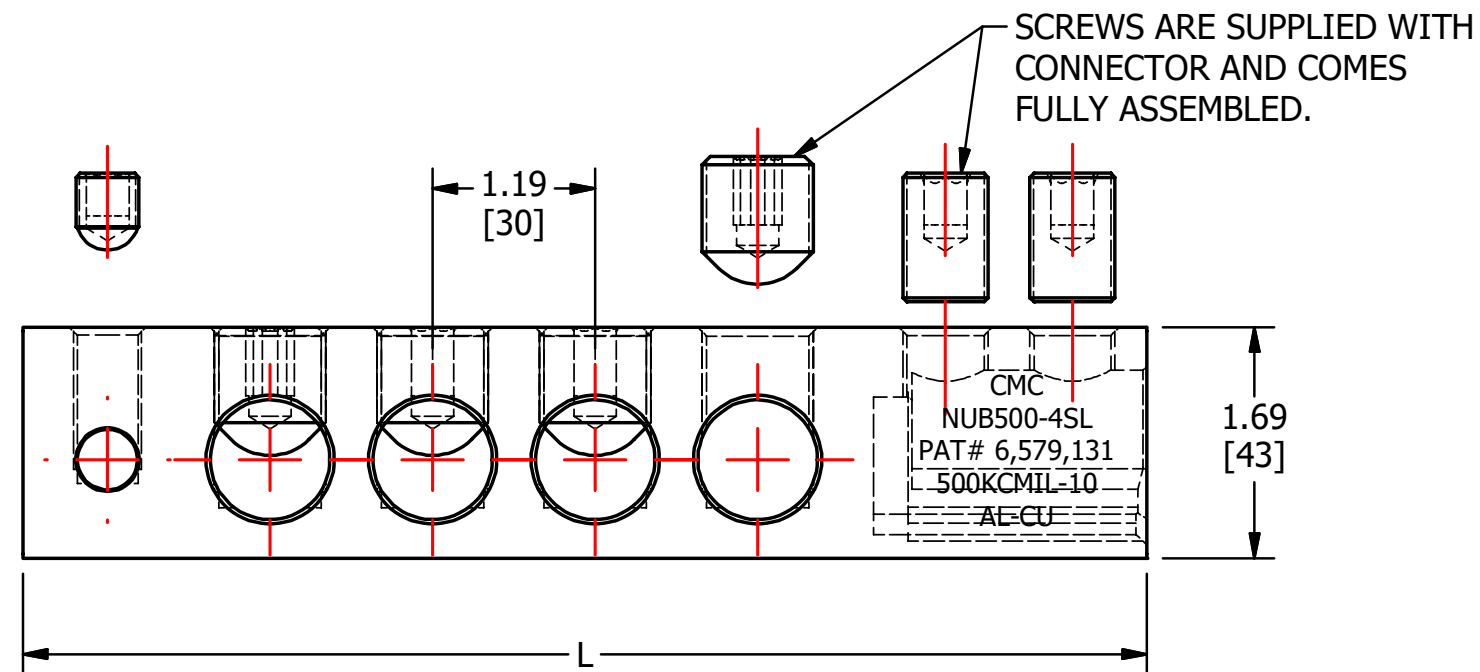
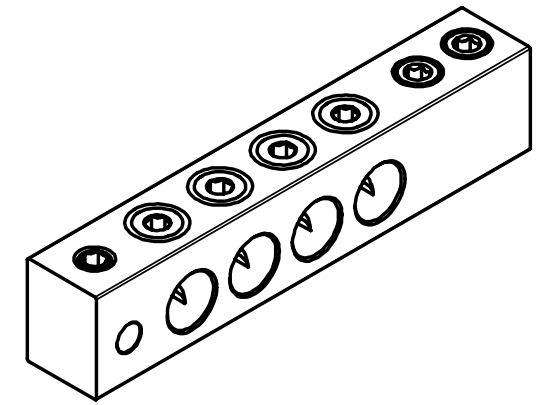
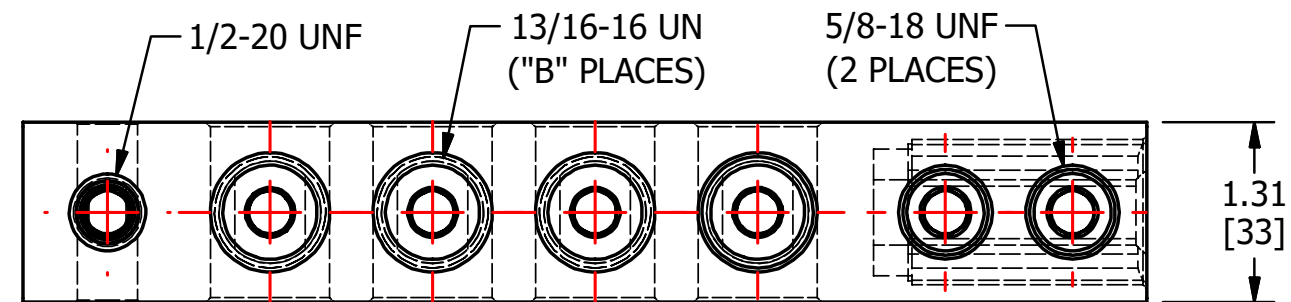


S.NO	CATALOG NUMBER	L	B
1	NUB500-4SLI	8.23 [209]	4
2	NUB500-4SL	8.23 [209]	4
3	NUB500-6SLI	10.61 [269]	6
4	NUB500-6SL	10.61 [269]	6
5	NUB500-8SLI	12.99 [330]	8
6	NUB500-8SL	12.99 [330]	8

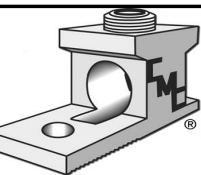


					TO ORDER CMC PRODUCTS CALL 1-513-860-4455	DRAWN BY: TS 03/20/19	NAME OF PART: STUD MOUNT CONNECTOR ASSEMBLY	CAT. NO.: SEE TABLE
					FOR PRODUCT INFO: <a href="http://www.cmclugs.com">http://www.cmclugs.com</a>	CHECKED BY:	DWG NO: U08498931-S (CHARTED)	A
A	NEW DRAWING CREATED		03/20/19	TS		DRAWING NOT TO SCALE		SHEET NO: 1 OF 1
REV.	DESCRIPTION	ECN	DATE	INIT.				

THIS INFORMATION IS PROPRIETARY TO CONNECTOR MFG. CO. AND IS NOT TO BE DISCLOSED OUTSIDE OF CONNECTOR MFG. CO. WITHOUT A CONFIDENTIALITY AGREEMENT



**CONNECTOR MANUFACTURING CO.**



HAMILTON, OHIO