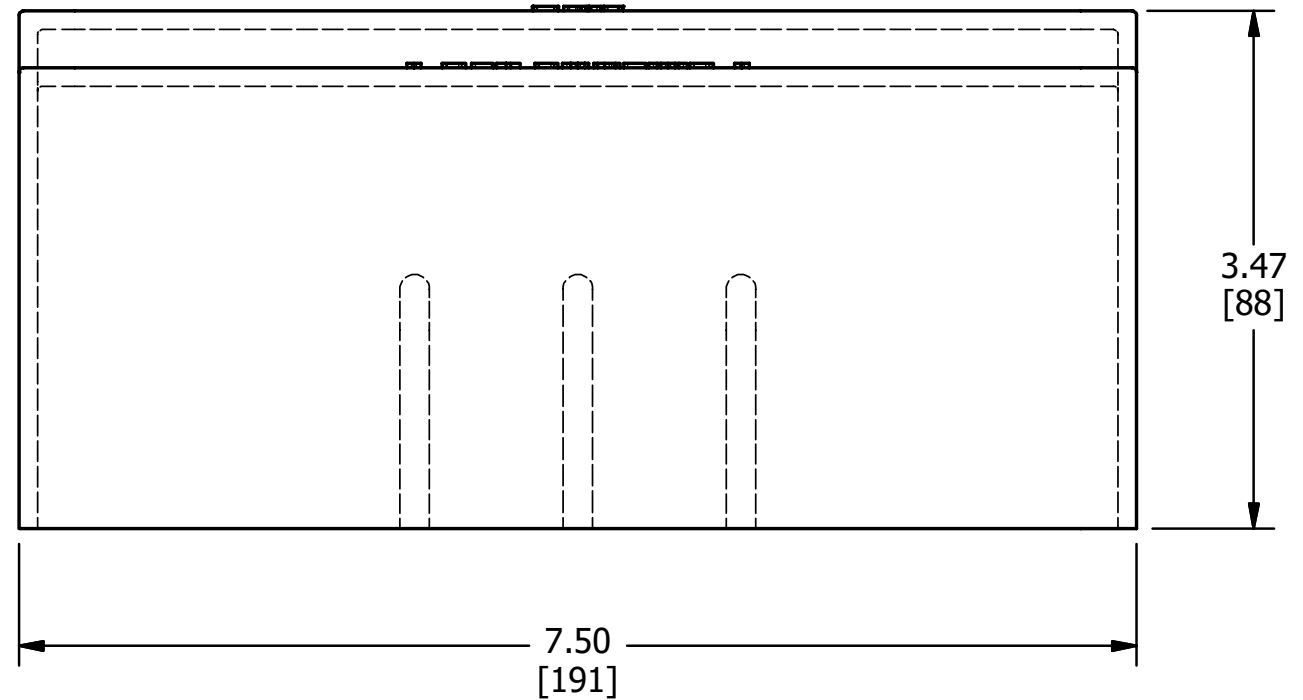
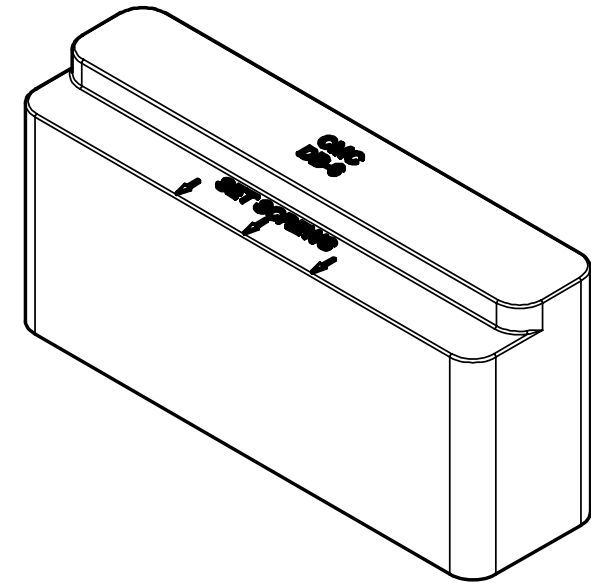


2.13
[54]



3.47
[88]

MATERIAL: EPDM RUBBER

| | | | | | | | | |
|----------|---------------------|-----|----------|-------|--|---------------------------------|---|--------------------------|
| | | | | | TO ORDER CMC PRODUCTS CALL 1-513-860-4455 FOR PRODUCT INFO: http://www.cmclugs.com | DRAWN BY: TS 08-06-19 | NAME OF PART: DURA-BOOT COVER | CAT. NO.: DB-6 |
| | | | | | | CHECKED BY: | DWG NO: U08508397-S | A |
| A | NEW DRAWING CREATED | | 08-06-19 | TS | DRAWING NOT TO SCALE | | SHEET NO: 1 OF 1 | |
| REV. | DESCRIPTION | ECN | DATE | INIT. | | | | |

