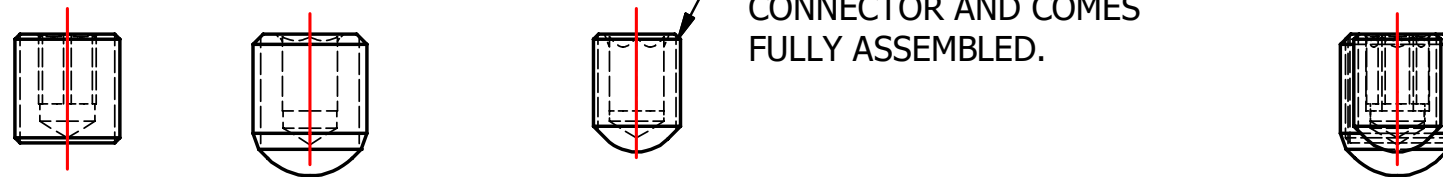
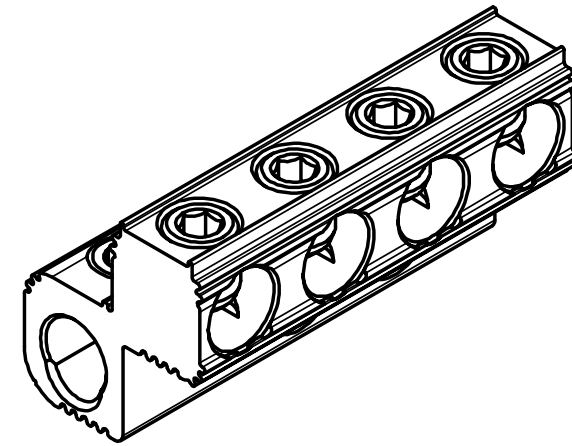
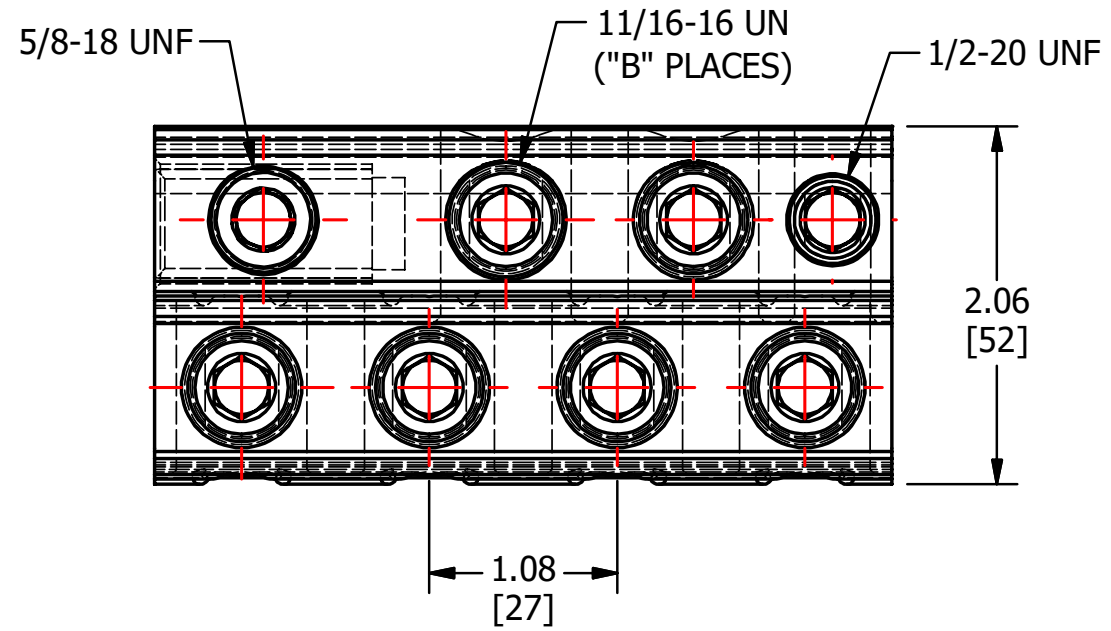
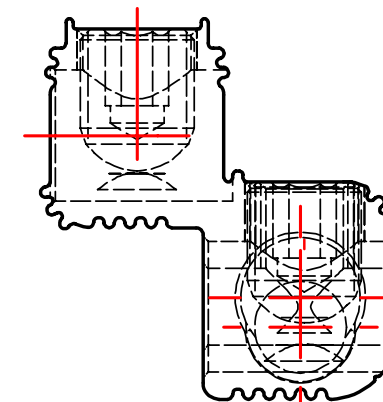
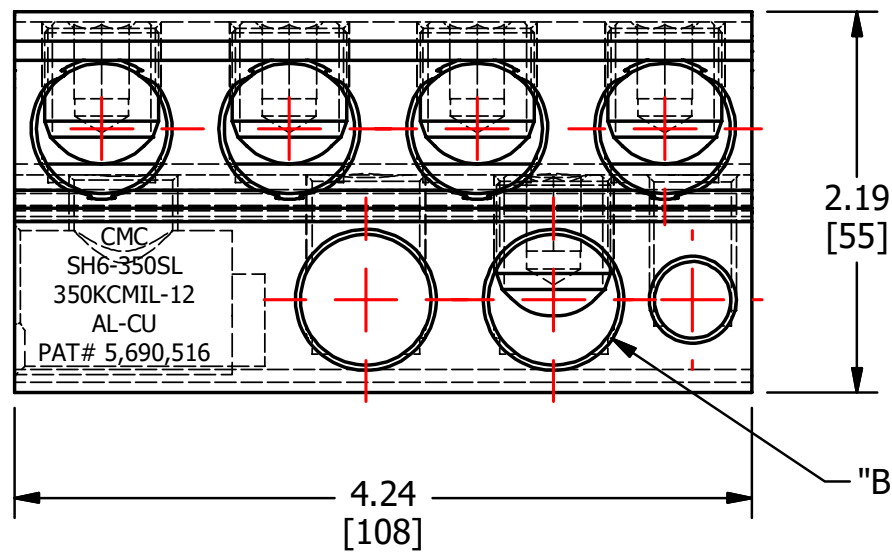


S.NO	CATALOG NUMBER	L	B
1	SH6-350SLXB	4.24 [108]	6
2	SH6-350SL	4.24 [108]	6
3	SH8-350SLXB	5.32 [135]	8
4	SH8-350SL	5.32 [135]	8



SCREWS ARE SUPPLIED WITH CONNECTOR AND COMES FULLY ASSEMBLED.



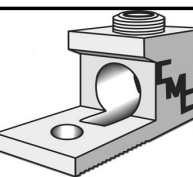
"B" PLACES

					TO ORDER CMC PRODUCTS CALL 1-513-860-4455	DRAWN BY: TS 03/20/19	NAME OF PART: PEDESTAL CONNECTOR ASSEMBLY	CAT. NO.: SEE TABLE
					FOR PRODUCT INFO: http://www.cmclugs.com	CHECKED BY:	DWG NO: U55498104-S (CHARTED)	A
A	NEW DRAWING CREATED		03/20/19	TS		DRAWING NOT TO SCALE		SHEET NO: 1 OF 1
REV.	DESCRIPTION	ECN	DATE	INIT.				

THIS INFORMATION IS PROPRIETARY TO CONNECTOR MFG. CO. AND IS NOT TO BE DISCLOSED OUTSIDE OF CONNECTOR MFG. CO. WITHOUT A CONFIDENTIALITY AGREEMENT



CONNECTOR MANUFACTURING CO.



HAMILTON, OHIO