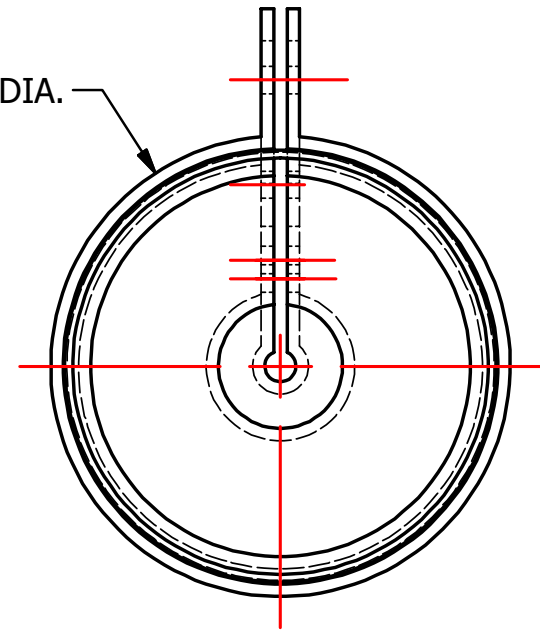
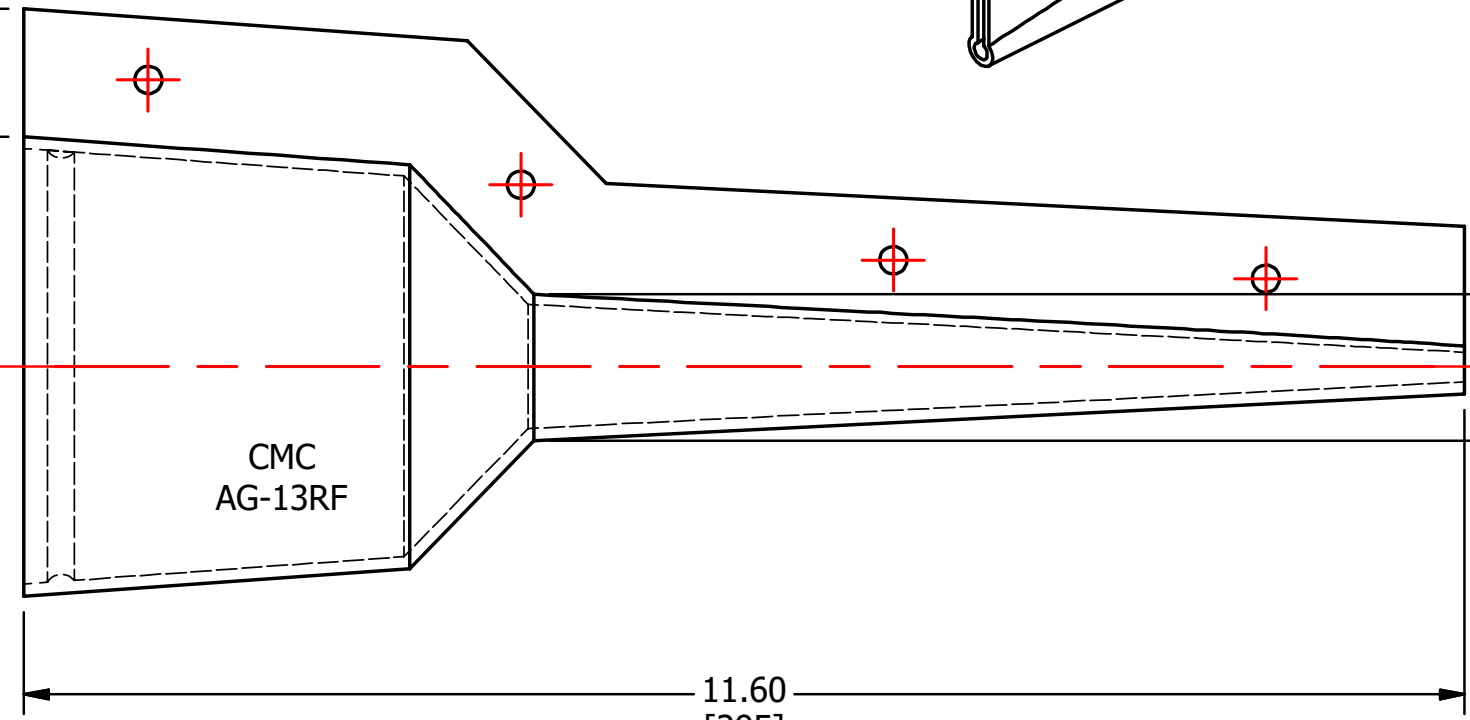


3.70 DIA.  
[94]

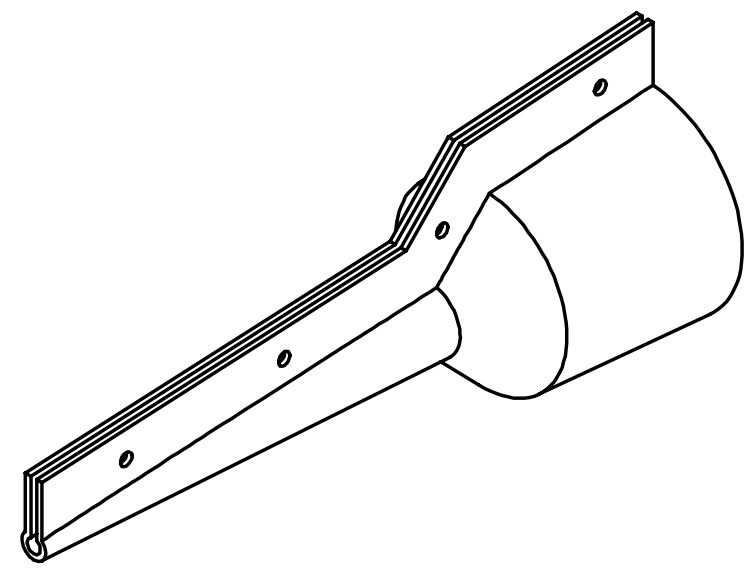


1.03  
[26]



11.60  
[295]

1.18  
[30]



MATERIAL: PLASTISOL (PVC)

					TO ORDER CMC PRODUCTS CALL 1-513-860-4455  FOR PRODUCT INFO: <a href="http://www.cmclugs.com">http://www.cmclugs.com</a>	DRAWN BY: <b>TS</b> 07-08-19	NAME OF PART: <b>ANIMAL / BIRD GUARDS</b>	CAT. NO.: <b>AG-13RF</b>
						CHECKED BY:	DWG NO: <b>U55508084-S</b>	<b>A</b>
<b>A</b>	NEW DRAWING CREATED		07-08-19	TS		DRAWING NOT TO SCALE		SHEET NO: 1 OF 1
REV.	DESCRIPTION	ECN	DATE	INIT.				

THIS INFORMATION IS PROPRIETARY TO CONNECTOR MFG. CO. AND IS NOT TO BE DISCLOSED OUTSIDE OF CONNECTOR MFG. CO. WITHOUT A CONFIDENTIALITY AGREEMENT



**CONNECTOR MANUFACTURING CO.**

HAMILTON, OHIO