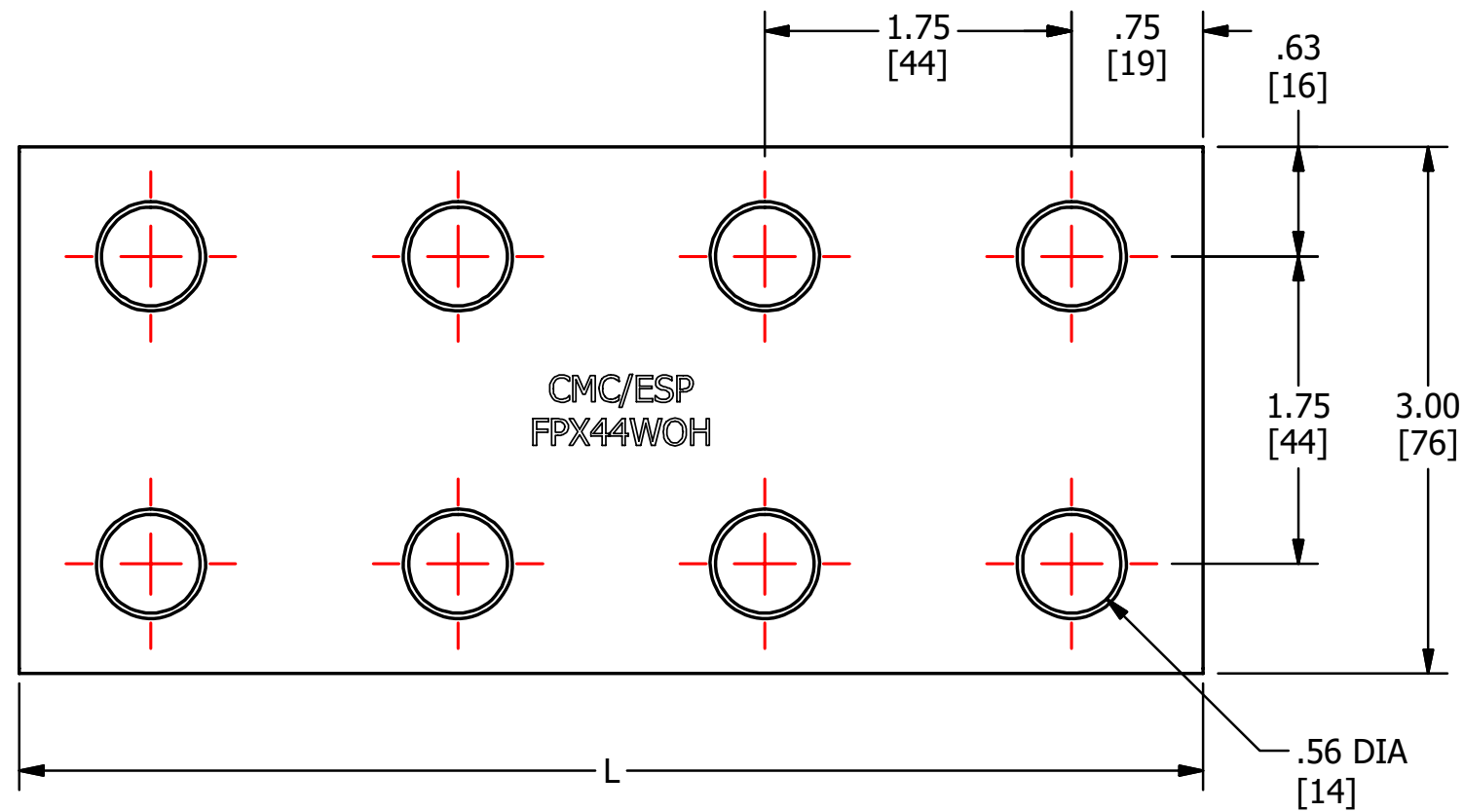
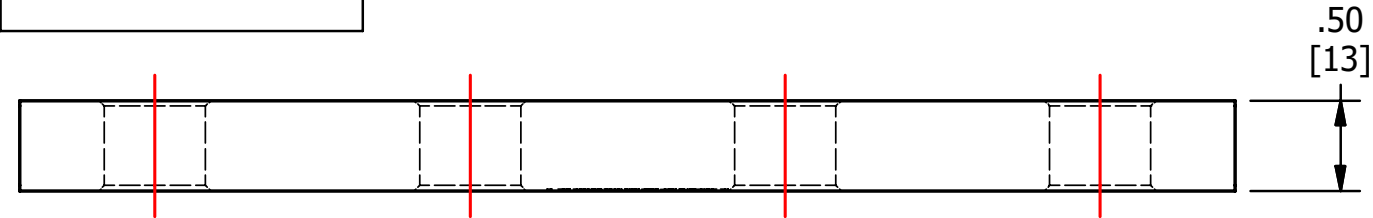
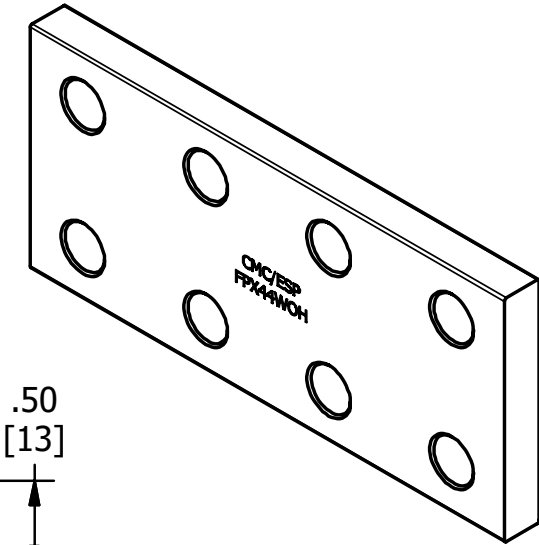
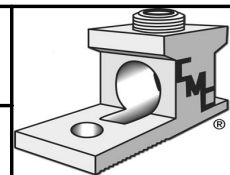


| S.NO | CATALOG NUMBER | L | NUMBER OF HOLES |
|------|----------------|----------------|-----------------|
| 1 | FPX44WOHTP | 6.75 [171] | 8 |
| 2 | FPX44WOH | 6.75 [171] | 8 |
| 3 | FPX46WOH | 8.50 [216] | 10 |
| 4 | FPX48WOH | 10.25 [260] | 12 |



| | | | | | | | | |
|------|---------------------|-----|----------|-------|---|--------------------------|------------------------------------|------------------------|
| | | | | | TO ORDER CMC PRODUCTS CALL 1-513-860-4455 | DRAWN BY: TS 03/26/19 | NAME OF PART: FLAT PAD EXTENDER | CAT. NO.: SEE TABLE |
| | | | | | FOR PRODUCT INFO: http://www.cmclugs.com | CHECKED BY: | DWG NO: U55510000-S (CHARTED) | A |
| A | NEW DRAWING CREATED | | 03/26/19 | TS | | DRAWING NOT TO SCALE | | SHEET NO: 1 OF 1 |
| REV. | DESCRIPTION | ECN | DATE | INIT. | | | | |



THIS INFORMATION IS PROPRIETARY TO CONNECTOR MFG. CO. AND IS NOT TO BE DISCLOSED OUTSIDE OF CONNECTOR MFG. CO. WITHOUT A CONFIDENTIALITY AGREEMENT



CONNECTOR MANUFACTURING CO.

HAMILTON, OHIO