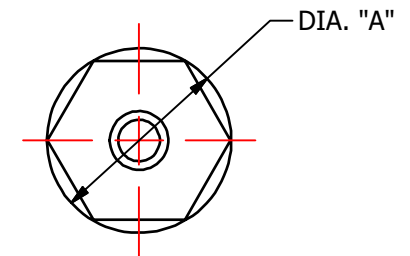
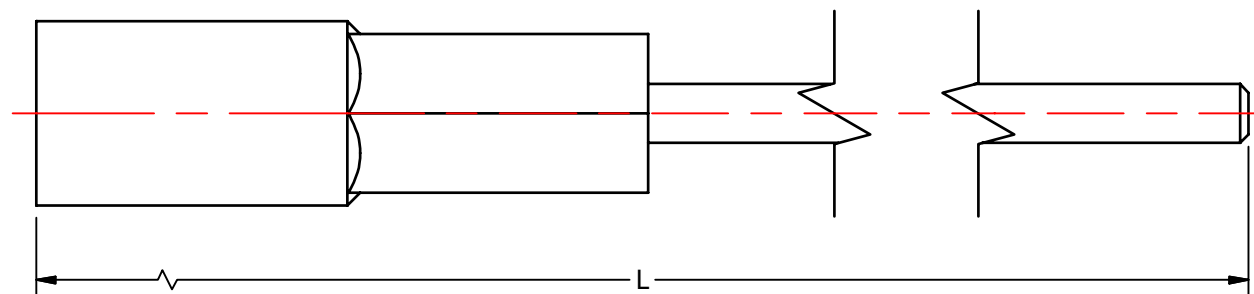
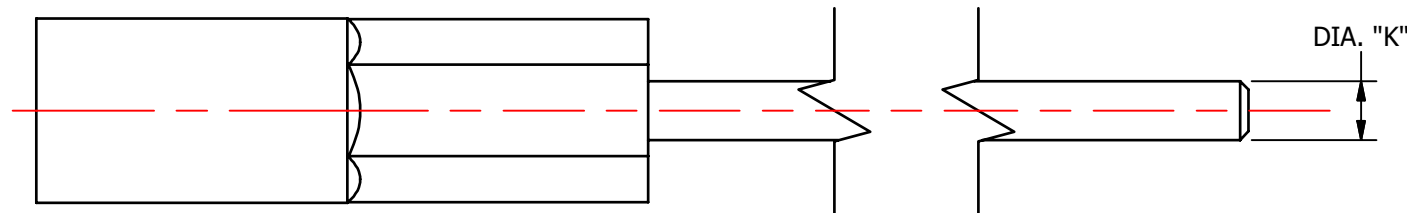
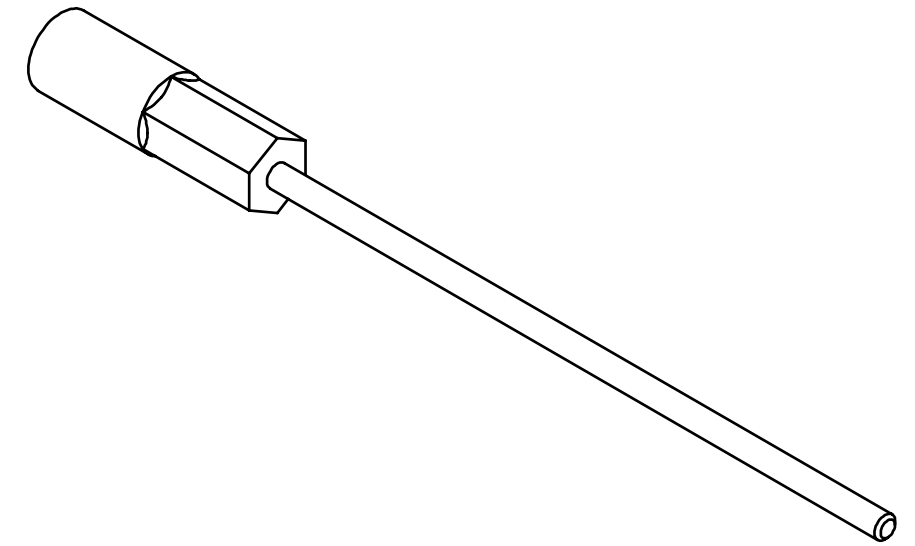


S.NO	CATALOG NUMBER	A	K	L	MARKING		
					LINE 1	LINE 2	LINE 3 & 4
1	PT44-6	.64 [16]	.20 [5]	8.13 [206]	4STR	4 ACSR	BG 243 5/8
2	PT22-6	.64 [16]	.25 [6]	8.13 [206]	2STR	2 ACSR	BG 243 5/8
3	PT3010-6	91 [23]	.37 [9]	9.63 [244]	3/0STR	4/0 ACSR	249 840 TX76 11A
4	PT4020-6	91 [23]	.37 [9]	10 [254]	4/0-250KCMIL	250COMP 4/0 ACSR	249 840 TX76 11A
5	PT35050-6	1.15 [29]	.46 [12]	10 [254]	300-350KCMIL	350 COMP 336-18/1 ACSR	299 655 705 96 1-1/8 13A
6	PT102S-6	.64 [16]	.25 [6]	8.38 [213]	1/0COMP 1/0STR	1/0 ACSR	BG 243 5/8
7	PT102S-2.5	.64 [16]	.25 [6]	4.63 [117]	1/0 COMP 1/0STR	1/0 ACSR	BG 243 5/8

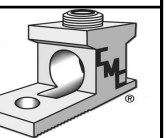


				TO ORDER CMC PRODUCTS CALL 1-513-860-4455		DRAWN BY: TS 12/14/18		NAME OF PART: PIN TERMINAL		CAT. NO.: SEE TABLE	
				FOR PRODUCT INFO: http://www.cmclugs.com		CHECKED BY:		DWG NO: U55700432-S (CHARTED)		B	
A NEW DRAWING CREATED				12/14/18		TS		DRAWING NOT TO SCALE		SHEET NO: 1 OF 1	
REV.	DESCRIPTION	ECN	DATE	INIT.							

THIS INFORMATION IS PROPRIETARY TO CONNECTOR MFG. CO. AND IS NOT TO BE DISCLOSED OUTSIDE OF CONNECTOR MFG. CO. WITHOUT A CONFIDENTIALITY AGREEMENT



CONNECTOR MANUFACTURING CO.



HAMILTON, OHIO