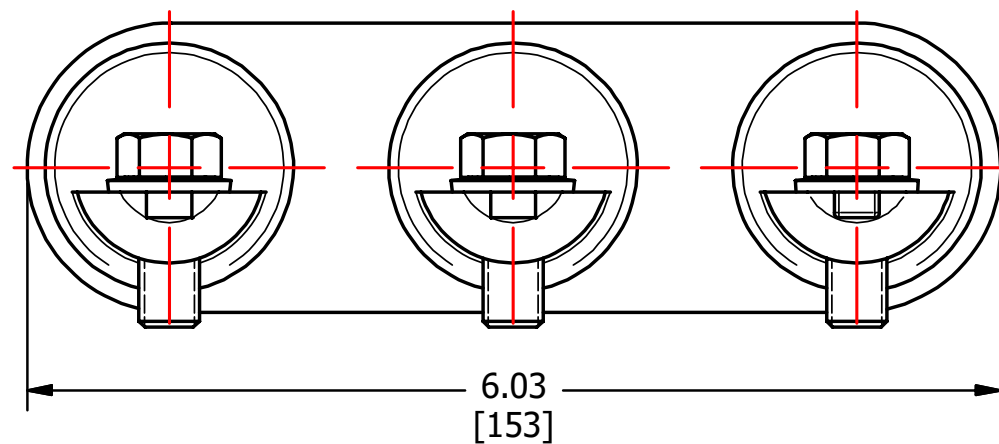
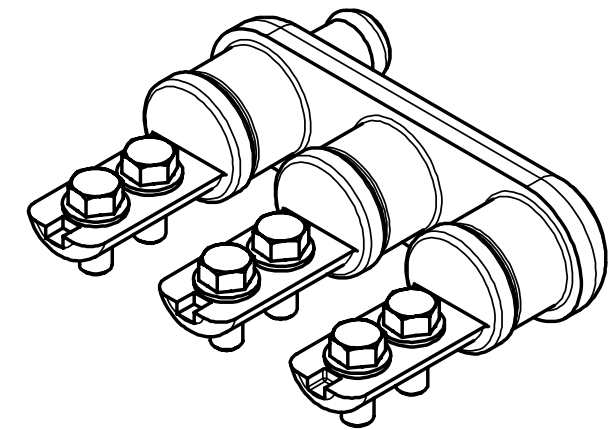
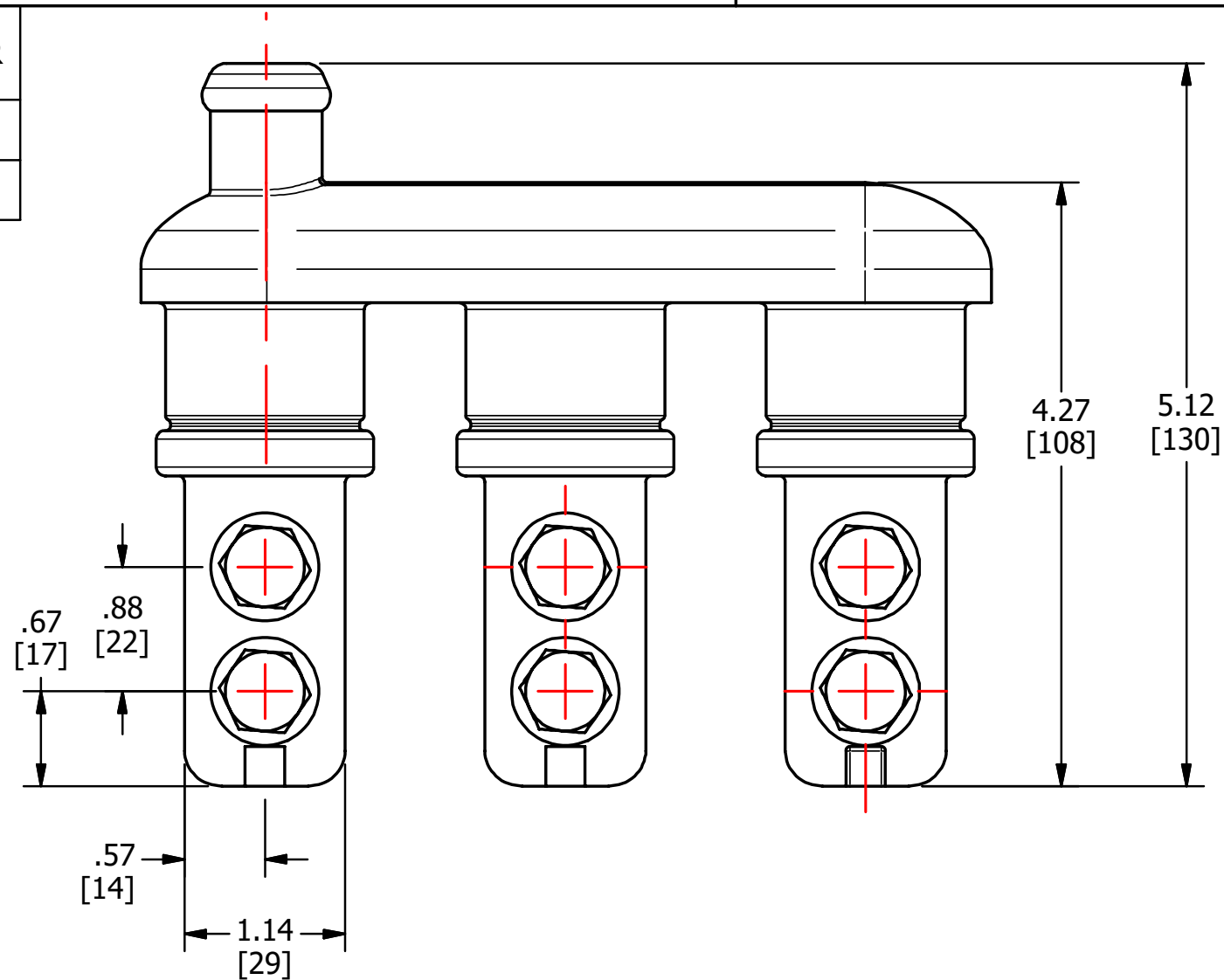


| S.NO | CATALOG NUMBER |
|------|----------------|
| 1 | UC33SL |
| 2 | UC33SLI |



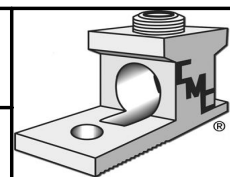
MATERIAL: ALUMINUM
VOLTAGE RATING: 600 V

| | | | | | | | | |
|------|---------------------|-----|----------|-------|---|--------------------------|--|------------------------|
| | | | | | TO ORDER CMC PRODUCTS CALL 1-513-860-4455 | DRAWN BY: TS 05-29-19 | NAME OF PART: SUBMERSIBLE PEDESTAL CONNECTOR ASSEMBLY | CAT. NO.: SEE TABLE |
| | | | | | FOR PRODUCT INFO: http://www.cmclugs.com | CHECKED BY: | DWG NO: U55700550-S | A |
| A | NEW DRAWING CREATED | | 05-29-19 | TS | DRAWING NOT TO SCALE | | SHEET NO: 1 OF 1 | |
| REV. | DESCRIPTION | ECN | DATE | INIT. | | | | |

THIS INFORMATION IS PROPRIETARY TO CONNECTOR MFG. CO. AND IS NOT TO BE DISCLOSED OUTSIDE OF CONNECTOR MFG. CO. WITHOUT A CONFIDENTIALITY AGREEMENT



CONNECTOR MANUFACTURING CO.



HAMILTON, OHIO