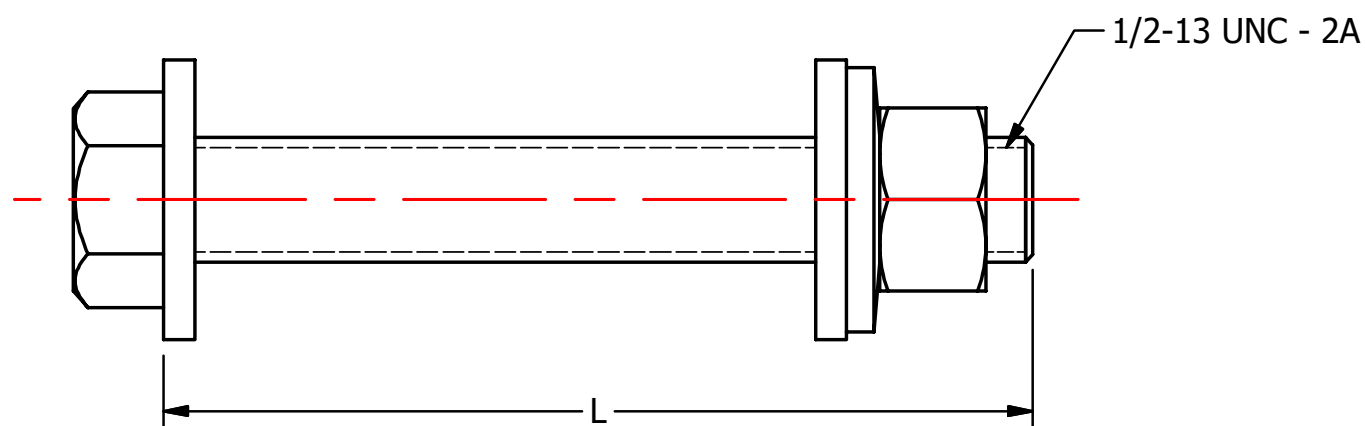
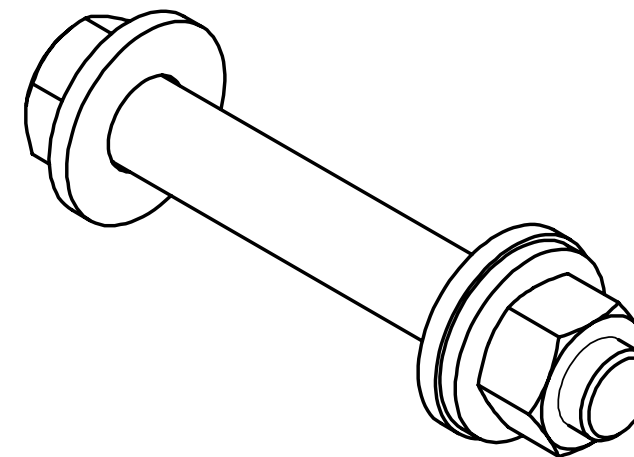


S.NO	CATALOG NUMBER	L
1	SHA175	1.75 [44]
2	SHA200	2.00 [51]
3	SHA225	2.25 [57]
4	SHA250	2.50 [64]
5	SHA275	2.75 [70]
6	SHA300	3.00 [76]
7	SHA350	3.50 [89]



					TO ORDER CMC PRODUCTS CALL 1-513-860-4455 FOR PRODUCT INFO: http://www.cmclugs.com	DRAWN BY: TS 12/18/18	NAME OF PART: BOLT ASSEMBLY	CAT. NO.: SEE TABLE
						CHECKED BY:	DWG NO: U55700673-S (CHARTED)	A
A	NEW DRAWING CREATED		12/18/18	TS		DRAWING NOT TO SCALE		SHEET NO: 1 OF 1
REV.	DESCRIPTION	ECN	DATE	INIT.				

