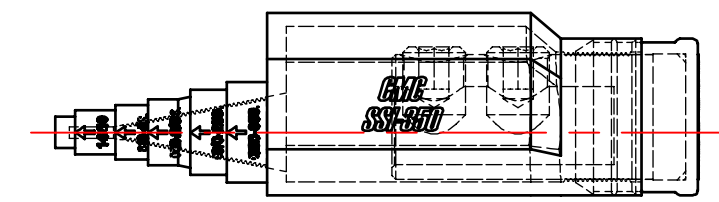
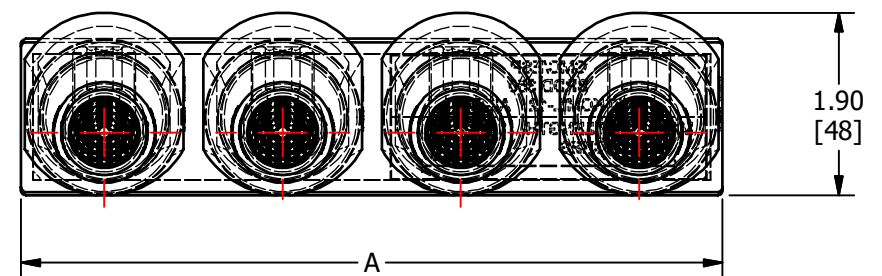
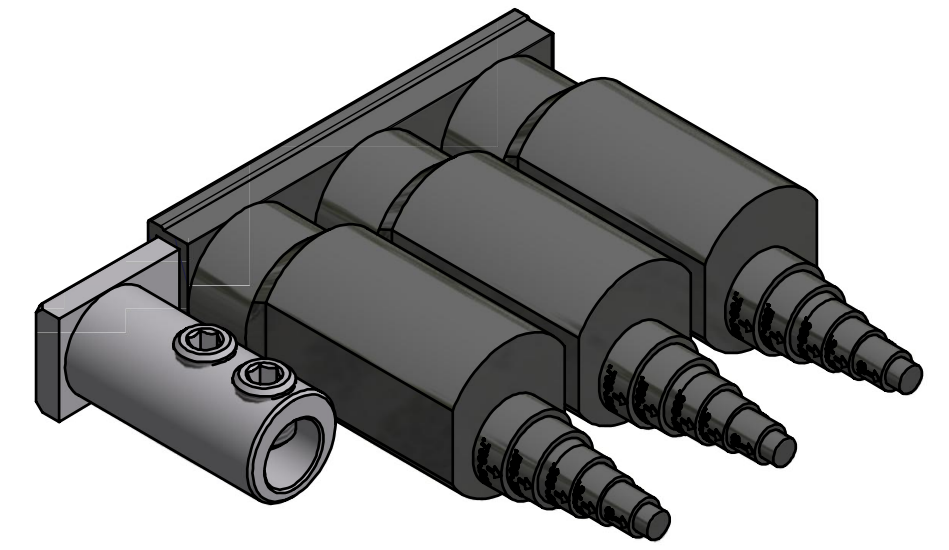
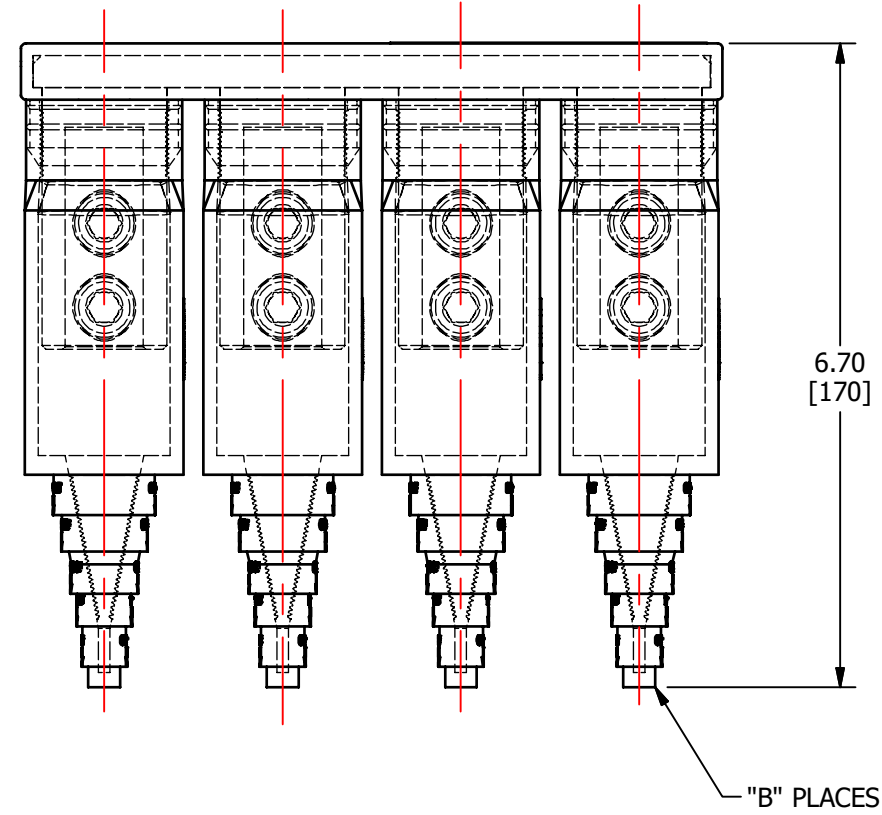


| S.NO | CATALOG NUMBER | A | B | CONDUCTOR RANGE |
|------|----------------|----------------|---|-----------------|
| 1 | BRDD2-350TSXB | 3.34 [85] | 2 | 350KCMIL - 12 |
| 2 | BRDD3-350TSXB | 5.20 [132] | 3 | 350KCMIL - 12 |
| 3 | BRDD4-350TSXB | 7.06 [179] | 4 | 350KCMIL - 12 |
| 4 | BRDD5-350TSXB | 8.92 [227] | 5 | 350KCMIL - 12 |
| 5 | BRDD6-350TSXB | 10.78 [247] | 6 | 350KCMIL - 12 |
| 6 | BRDD8-350TSXB | 14.49 [368] | 8 | 350KCMIL - 12 |
| 7 | BRDD2-500TSXB | 3.34 [85] | 2 | 500 KCMIL - 12 |
| 8 | BRDD3-500TSXB | 5.20 [132] | 3 | 500 KCMIL - 12 |
| 9 | BRDD4-500TSXB | 7.06 [179] | 4 | 500 KCMIL - 12 |
| 10 | BRDD5-500TSXB | 8.92 [227] | 5 | 500 KCMIL - 12 |
| 11 | BRDD6-500TSXB | 10.78 [247] | 6 | 500 KCMIL - 12 |
| 12 | BRDD8-500TSXB | 14.49 [368] | 8 | 500 KCMIL - 12 |

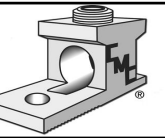


| | | | | | | | | |
|----------|---------------------|-----|----------|-------|--|---|---|------------------------|
| | | | | | | DRAWN BY: TS 12/14/18 CHECKED BY: | NAME OF PART: PEDESTAL CONNECTOR DWG NO: U55700972I-S (CHARTED) | CAT. NO.: SEE TABLE |
| A | NEW DRAWING CREATED | | 12/14/18 | TS | FOR PRODUCT INFO: http://www.cmclugs.com | DRAWING NOT TO SCALE | | SHEET NO: 1 OF 1 |
| REV. | DESCRIPTION | ECN | DATE | INIT. | | | | |

THIS INFORMATION IS PROPRIETARY TO CONNECTOR MFG. CO. AND IS NOT TO BE DISCLOSED OUTSIDE OF CONNECTOR MFG. CO. WITHOUT A CONFIDENTIALITY AGREEMENT



CONNECTOR MANUFACTURING CO.



HAMILTON, OHIO