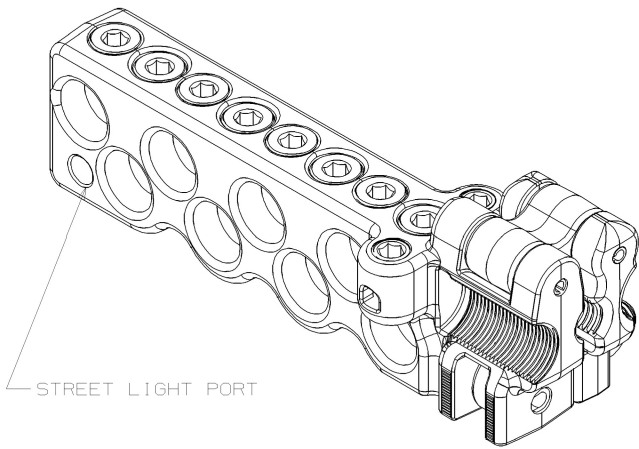


4

3

2

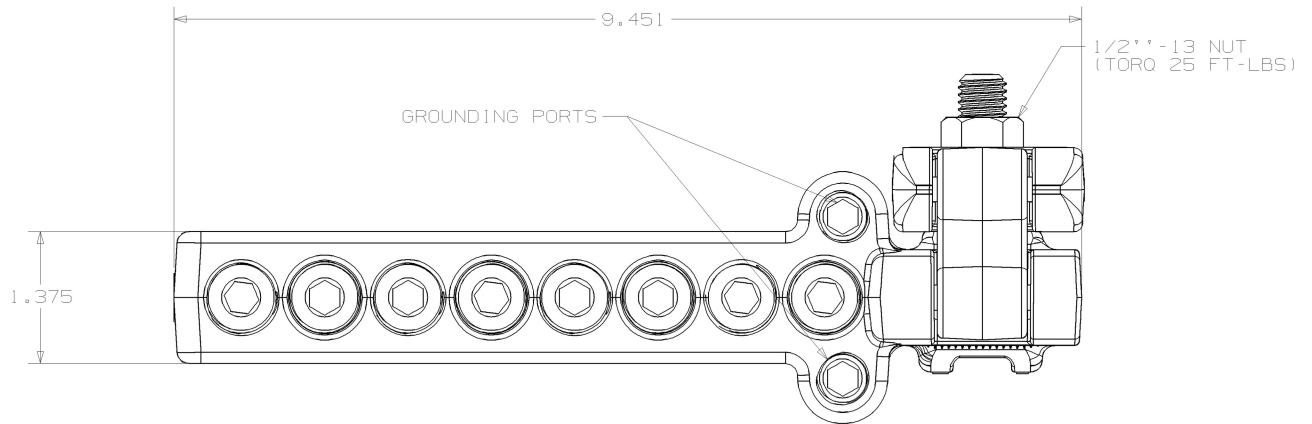
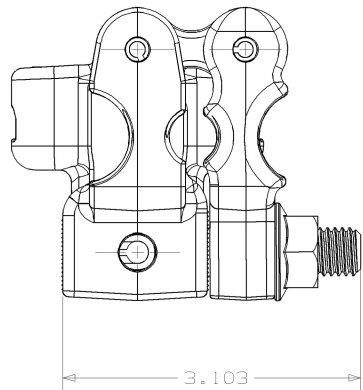
1



CATALOG NO.	CONDUCTOR RANGE (AL OR CU)			NO. OF CONDUCTOR PORTS	STUD SIZE
	COND. PORT	STREET LIGHT	REDUD. GRD		
UTSB8500	#6-500MCM	MAX .325 DIA	MAX .257 DIA	8	5/8" & 1"

ADD 'L' SUFFIX TO CAT. NO. FOR INHIBITOR.
 ADD 'C' SUFFIX FOR COVER.

EX. UTSB8500CL IS A COVERED UTSB8500 WITH INHIBITOR.



DIMENSIONS ARE FOR REFERENCE ONLY

TITLE UTSB8500			
SIZE 	DRG NO. CC-18291	CAT / PART / ASSY NO. UTSB8500	REV 01
DD NOT SCALE DRN BY: JLB DATE: 04/13/07 SHEET 1 of 1			

THIRD ANGLE PROJECTION

DIMENSIONS IN INCHES

CONFIDENTIAL: THIS DRAWING AND ITS CONTENTS ARE CONFIDENTIAL AND THE EXCLUSIVE PROPERTY OF HUBBELL POWER SYSTEMS. NO PUBLICATION, DISTRIBUTION OR COPIES MAY BE MADE WITHOUT THE WRITTEN CONSENT OF HUBBELL POWER SYSTEMS. HUBBELL POWER SYSTEMS UNPUBLISHED ALL RIGHTS RESERVED UNDER THE COPYRIGHT LAW.

4

3

2

1