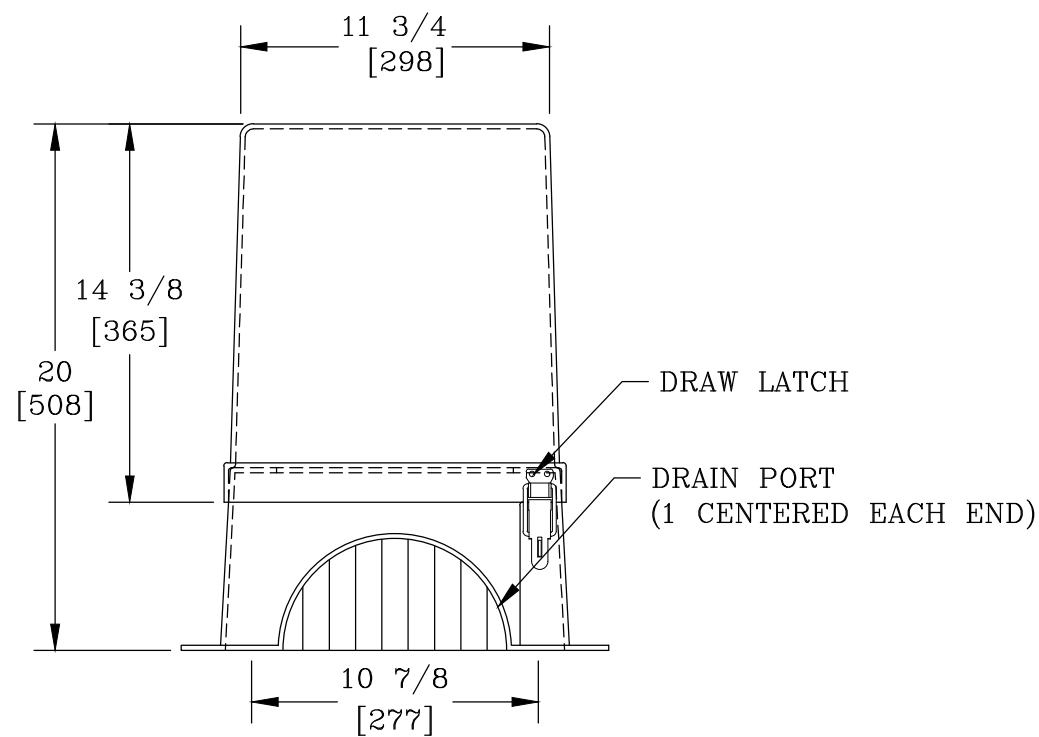
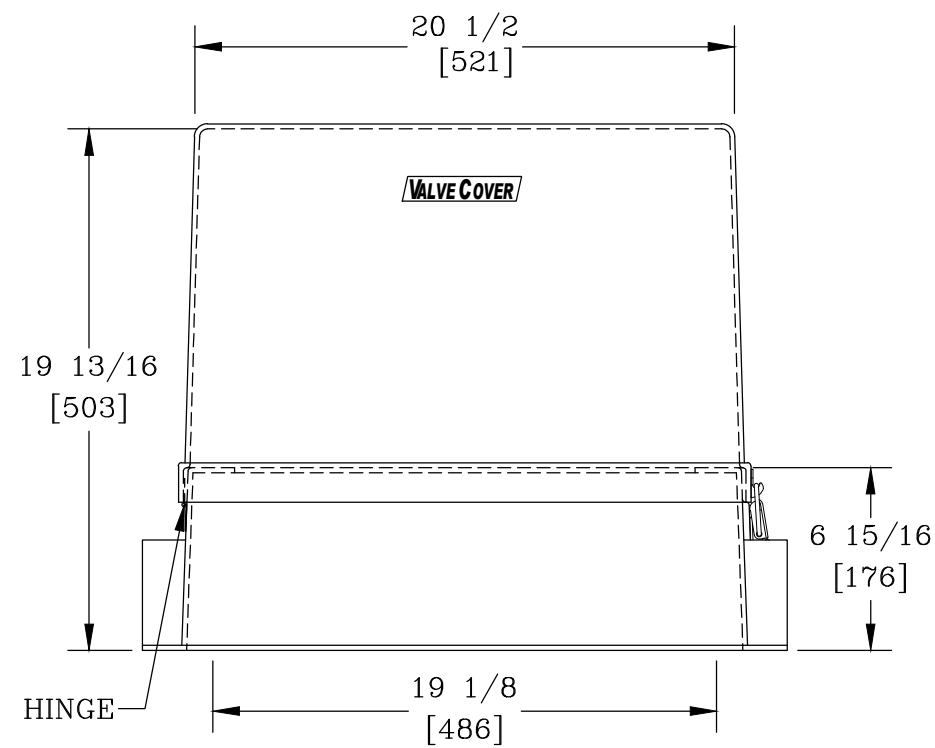
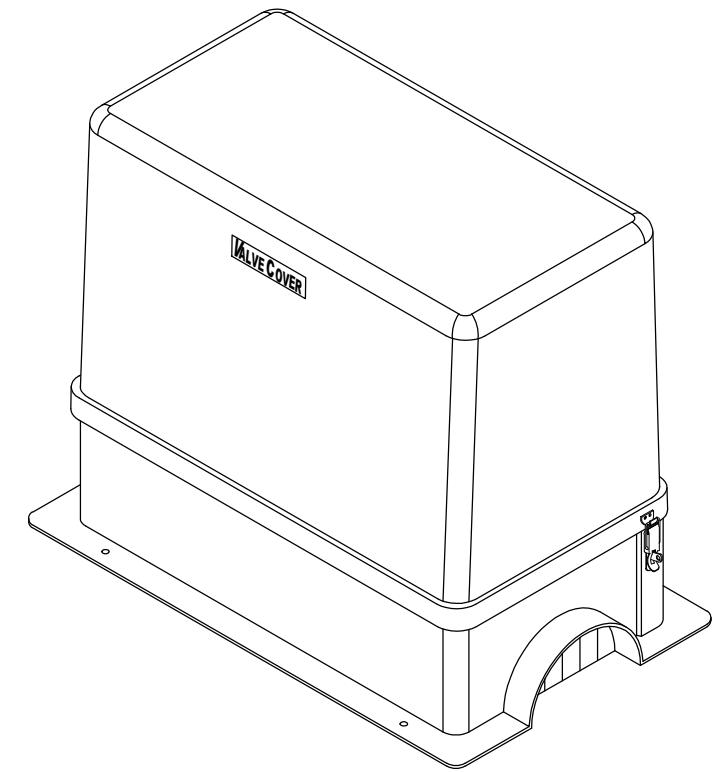



CUSTOMER APPROVAL  
 APPROVED BY: \_\_\_\_\_  
 DATE: \_\_\_\_\_



**NOTES:**

1. INSULATION AND HEAT IS NOT PROVIDED WITH THIS ENCLOSURE.
2. 1/4" X 2" HAMMER DRIVEN ANCHORS FOR MOUNTING THROUGH THE ANCHOR LIP ARE SUPPLIED WITH THE ENCLOSURE. (NOT SHOWN)
3. STANDARD COLOR IS BEIGE. (OPTIONS AVAILABLE)
4. FOR RECOMMENDED SLAB SIZE ADD 9" [229] TO THE ENCLOSURE EXTERIOR.

HOTBOX ENCLOSURES ARE NON-RETURNABLE. A SIGNED DRAWING MUST BE RETURNED AT THE TIME OF ORDER. DIMENSIONS ARE IN INCHES OR MILLIMETERS IN BRACKETS UNLESS OTHERWISE NOTED.					
DRN	BY	DATE	WEIGHT	 3621 INDUSTRIAL PARK DR LENOIR CITY, TN 37771 800-346-3062 www.hot-box.com	LOC
CHK			27#		LC
ENG			12kg		S
APR			SCALE		REV
APR			1 1/2"=1'	DRAWING DESCRIPTION <b>HOT BOX®</b> FIBERGLASS ENCLOSURE VGVC1	B
			SIZE		1/22
PROJECT NUMBER			DRAWING NUMBER		
111401			VC009018018		
SHEET 1 OF 1					