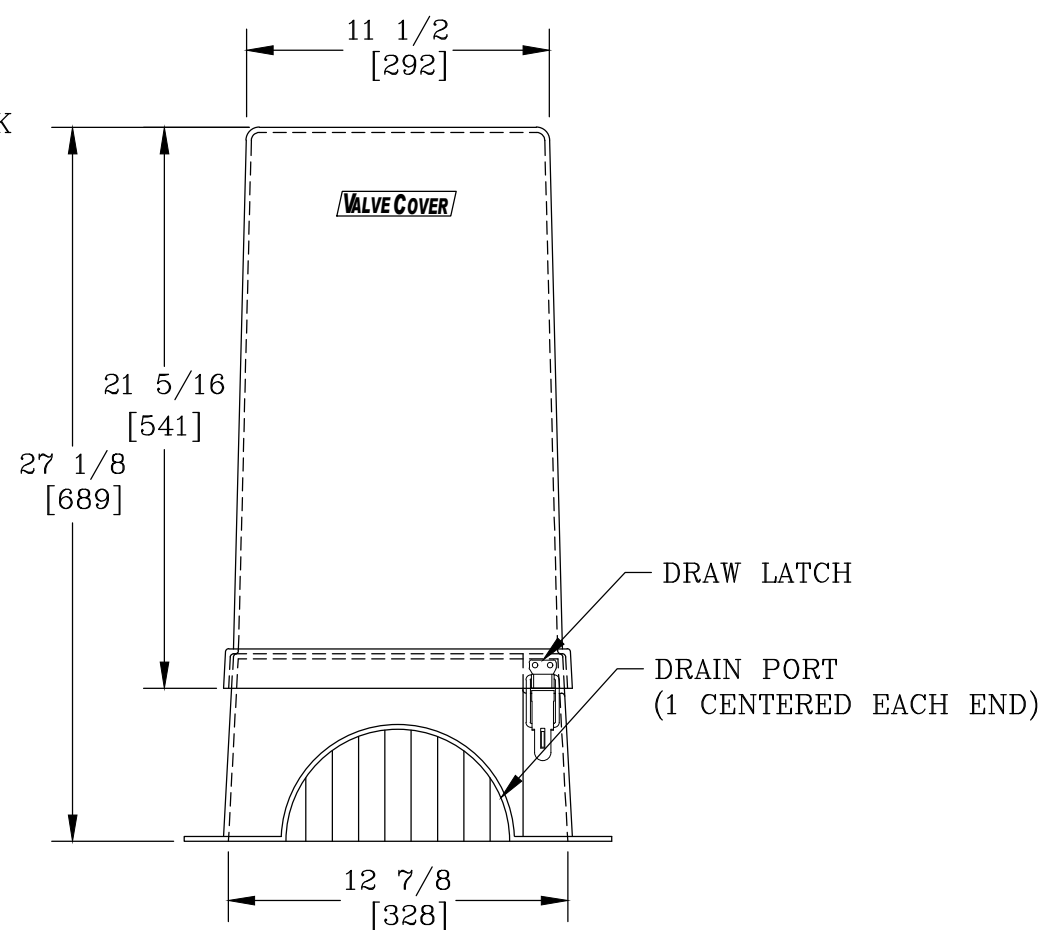
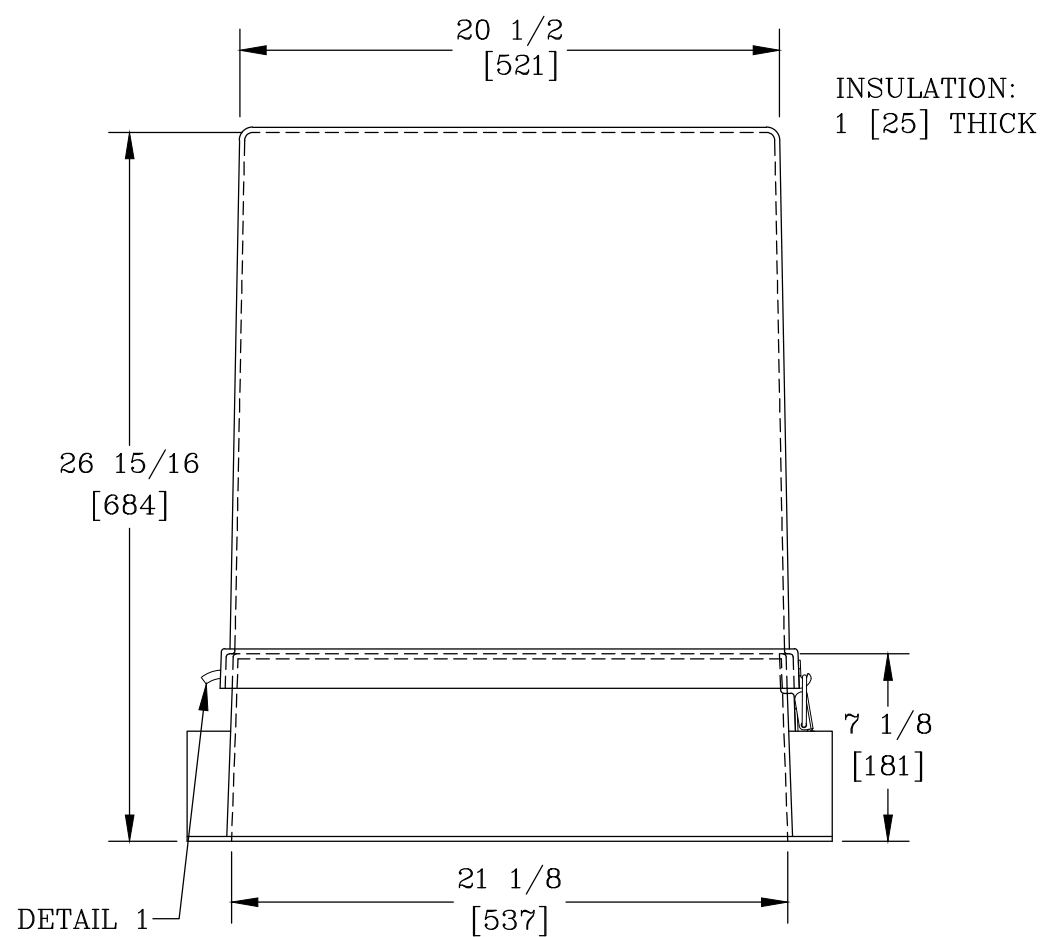
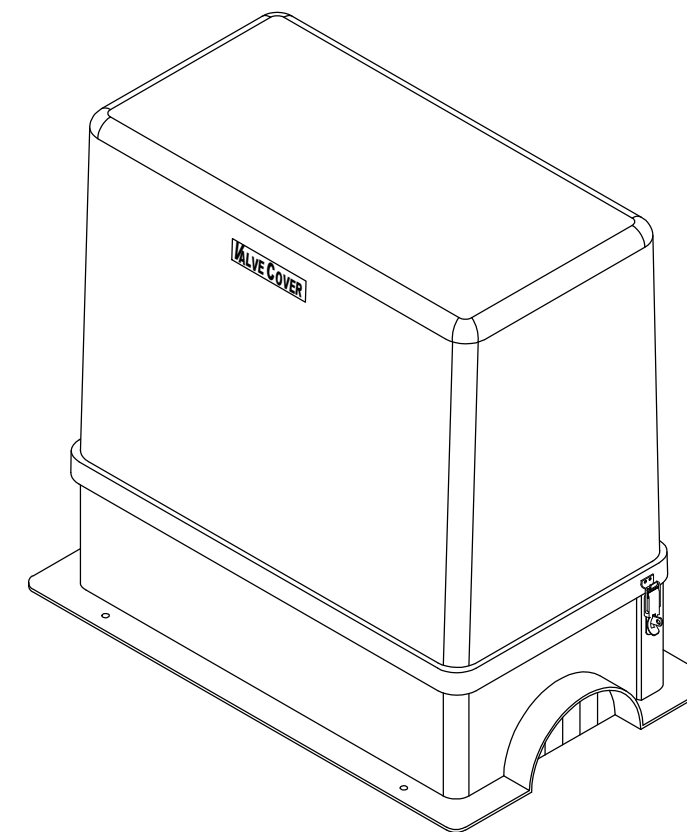
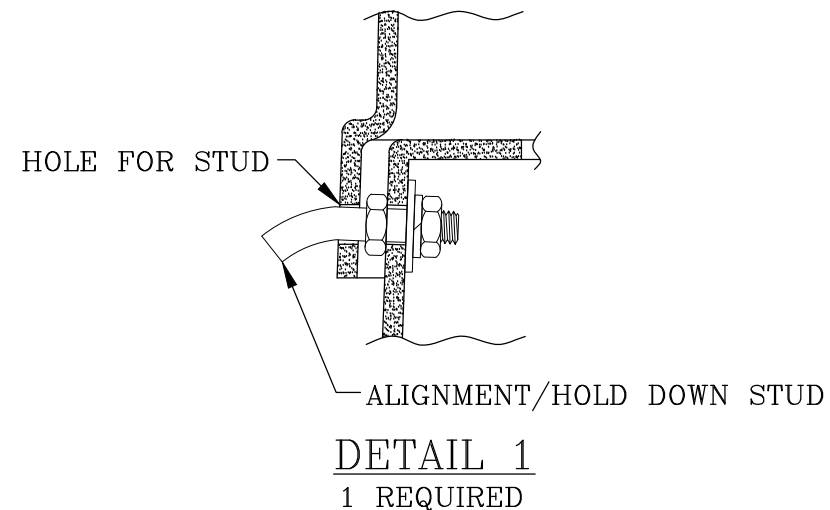
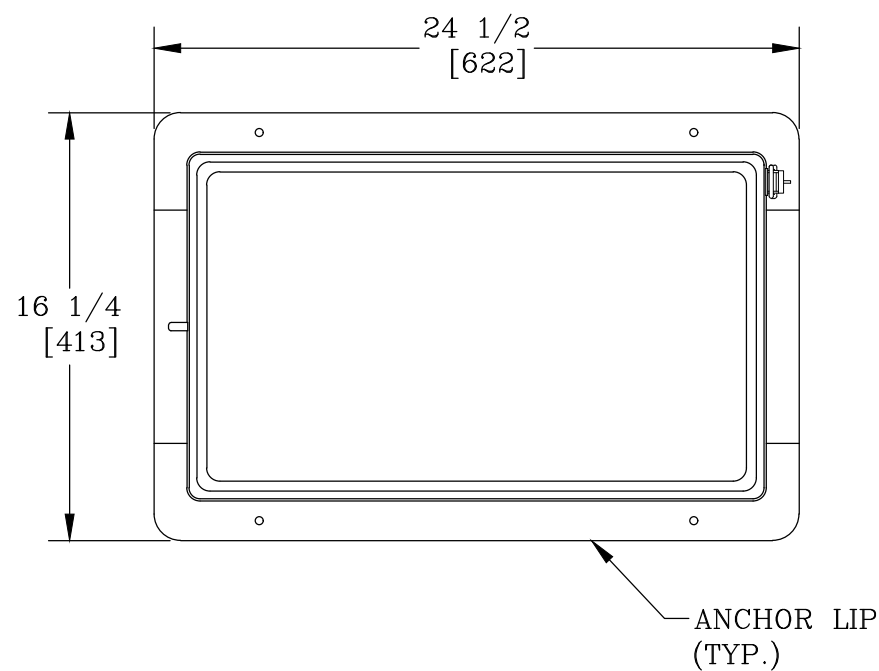



CUSTOMER APPROVAL

APPROVED BY: _____
DATE: _____



NOTES:

1. INSULATION AND HEAT IS NOT PROVIDED WITH THIS ENCLOSURE.
2. 1/4" X 2" HAMMER DRIVEN ANCHORS FOR MOUNTING THROUGH THE ANCHOR LIP ARE SUPPLIED WITH THE ENCLOSURE. (NOT SHOWN)
3. STANDARD COLOR IS BEIGE. (OPTIONS AVAILABLE)
4. FOR RECOMMENDED SLAB SIZE ADD 9" [229] TO THE ENCLOSURE EXTERIOR.

| | | | | | |
|---|--------|-------------|---|---|------|
| HOTBOX ENCLOSURES ARE NON-RETURNABLE. A SIGNED DRAWING MUST BE RETURNED AT THE TIME OF ORDER. DIMENSIONS ARE IN INCHES OR MILLIMETERS IN BRACKETS UNLESS OTHERWISE NOTED. | | | | | |
| BY | DATE | WEIGHT |  | 3621 INDUSTRIAL PARK DR LENOIR CITY, TN 37771 800-346-3062 www.hot-box.com | LOC |
| DRN | 7/8/15 | 35# 16kg | | | LC |
| CHK | 7/8/15 | SCALE | DRAWING DESCRIPTION | HOT BOX® FIBERGLASS ENCLOSURE VGVC1T | REV |
| ENG | 7/8/15 | 1 1/2"=1' | | | A |
| APR | 7/8/15 | SIZE | | | 7/15 |
| APR | 7/8/15 | B | | | |
| PROJECT NUMBER | | | DRAWING NUMBER | | |
| 111401 | | | VC009018024 | | |
| SHEET 1 OF 1 | | | | | |