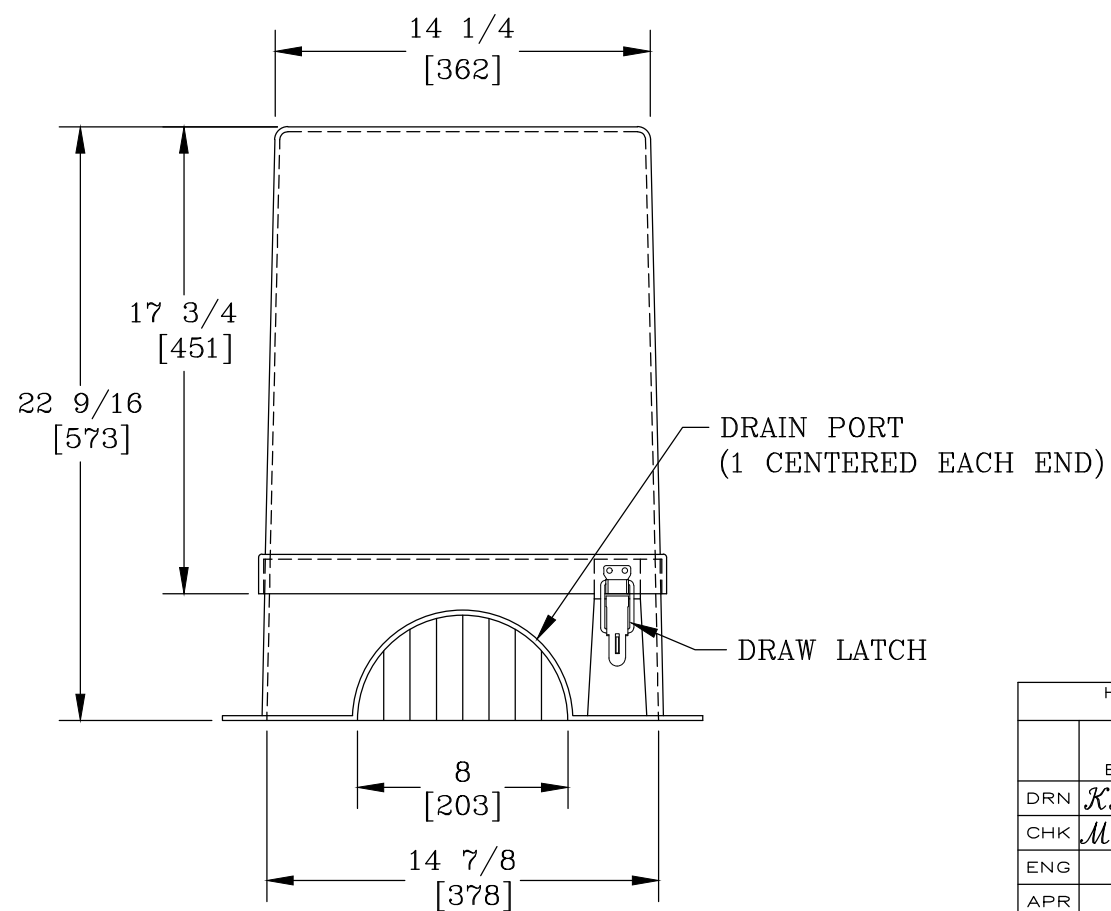
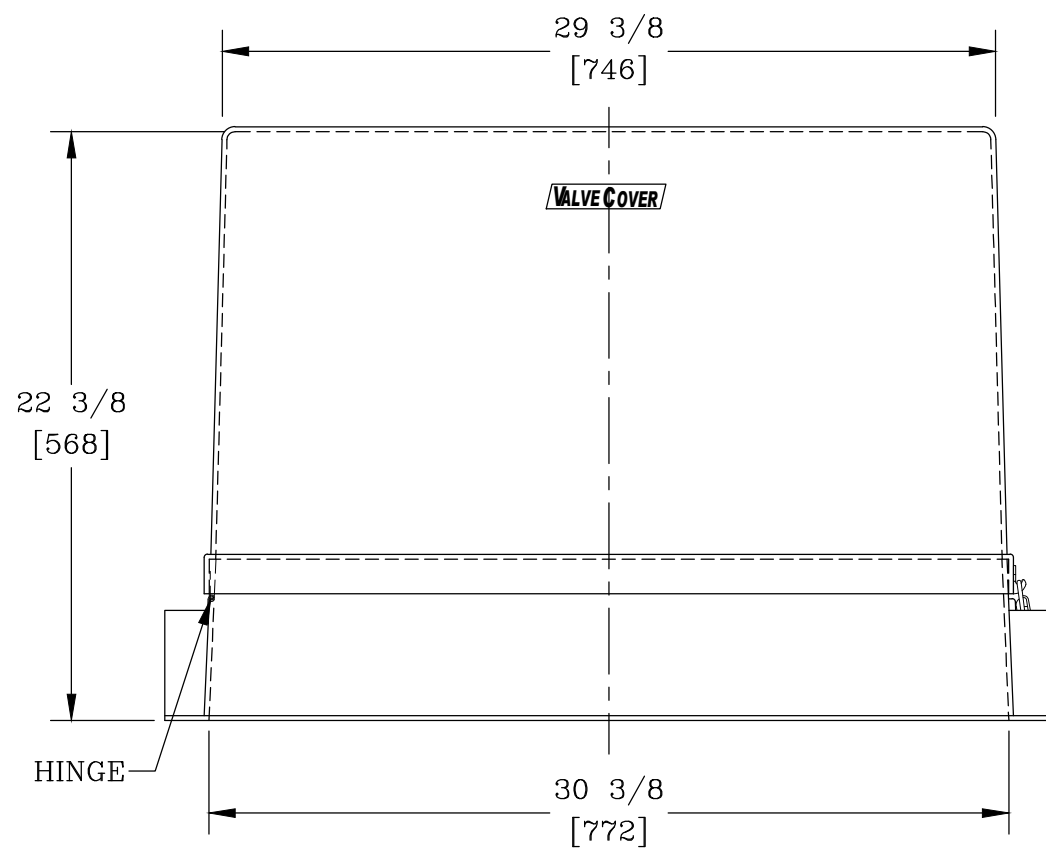
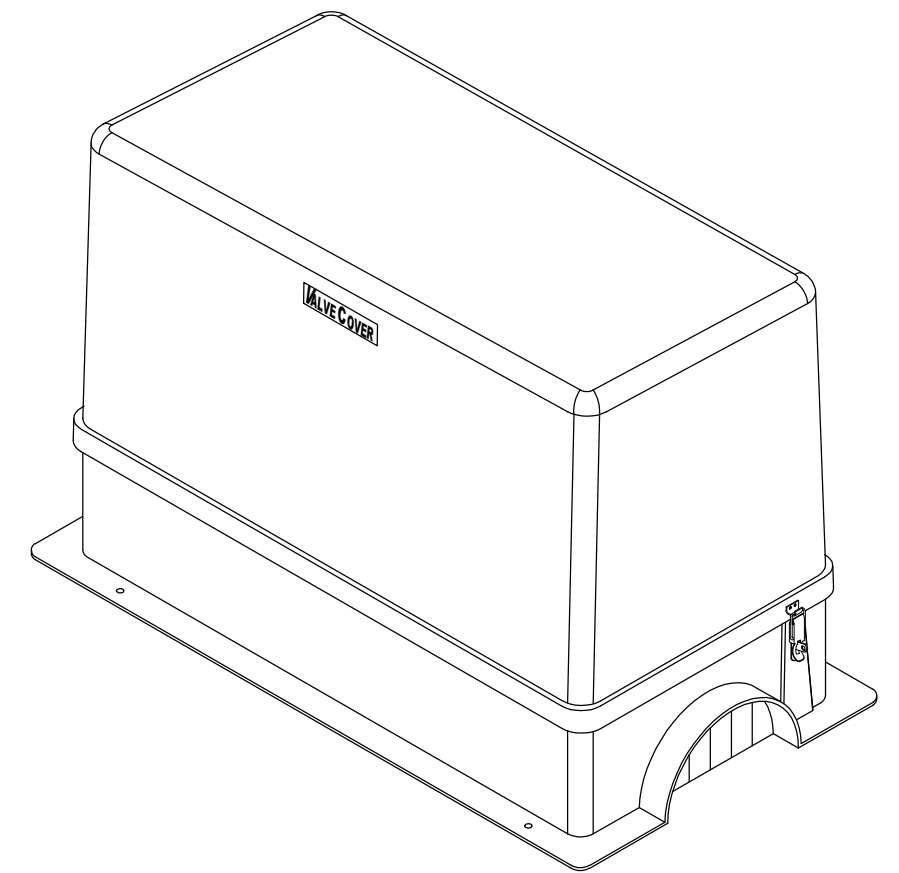



CUSTOMER APPROVAL
 APPROVED BY: _____
 DATE: _____



NOTES:

- INSULATION & HEAT ARE NOT PROVIDED WITH THIS ENCLOSURE.
- 1/4" X 2" HAMMER DRIVEN ANCHORS FOR MOUNTING THROUGH THE ANCHOR LIP ARE SUPPLIED WITH THE ENCLOSURE. (NOT SHOWN)
- ENCLOSURE COLOR IS BEIGE.
- FOR RECOMMENDED SLAB SIZE ADD 9" [229] TO THE ENCLOSURE EXTERIOR.

HOTBOX ENCLOSURES ARE NON-RETURNABLE. A SIGNED DRAWING MUST BE RETURNED AT THE TIME OF ORDER. DIMENSIONS ARE IN INCHES OR MILLIMETERS IN BRACKETS UNLESS OTHERWISE NOTED.				 3621 INDUSTRIAL PARK DR LENOIR CITY, TN 37771 800-346-3062 www.hot-box.com	LOC
DRN	BY	DATE	WEIGHT		LC
CHK	MDP	6/19/12	40# 18kg	S	
ENG			SCALE	REV	
APR			1 1/2"=1'	A	
APR			SIZE	6/12	
PROJECT NUMBER			DRAWING DESCRIPTION		
102627			HOT BOX® FIBERGLASS ENCLOSURE VGVC2		
SHEET 1 OF 1			DRAWING NUMBER		
			VC012026020		