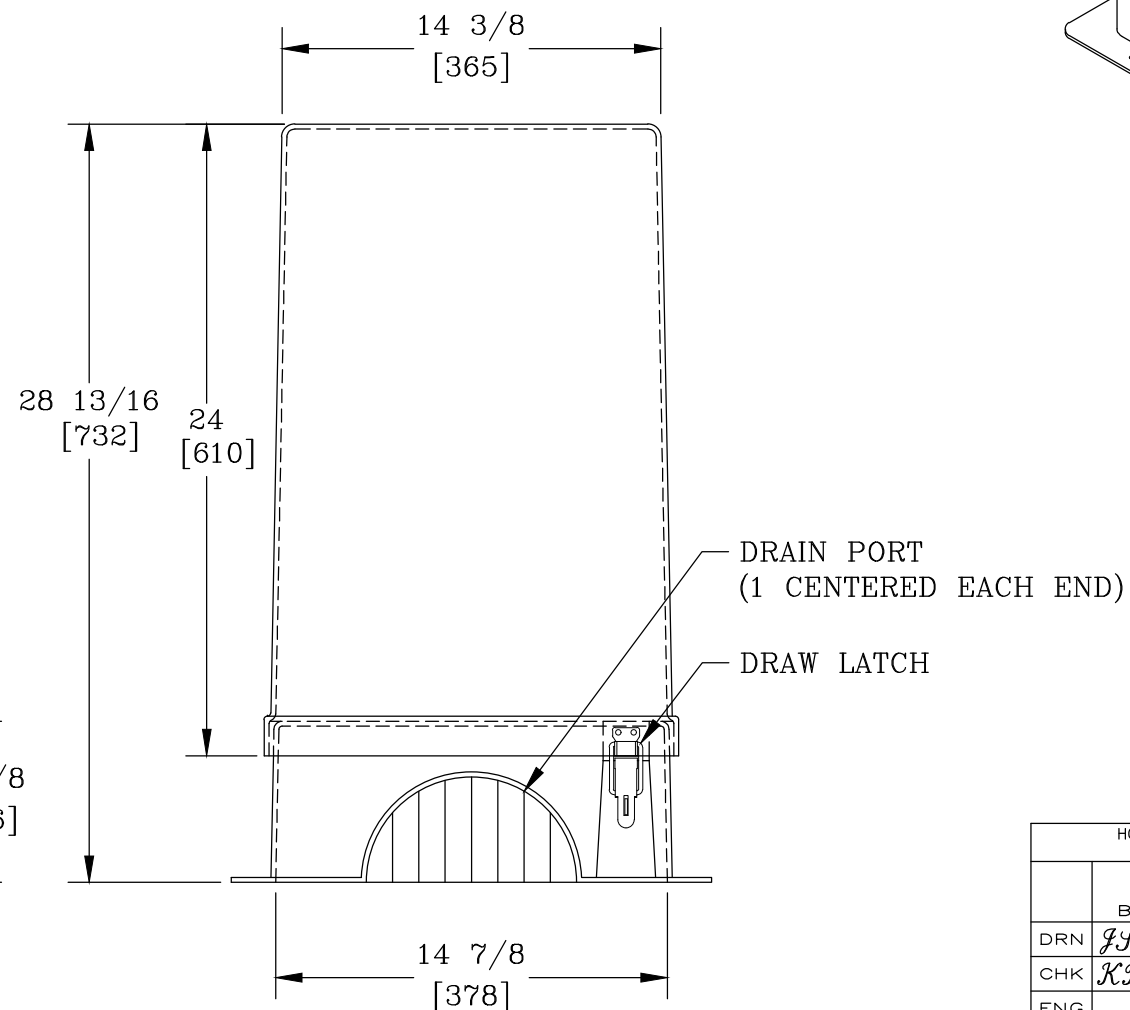
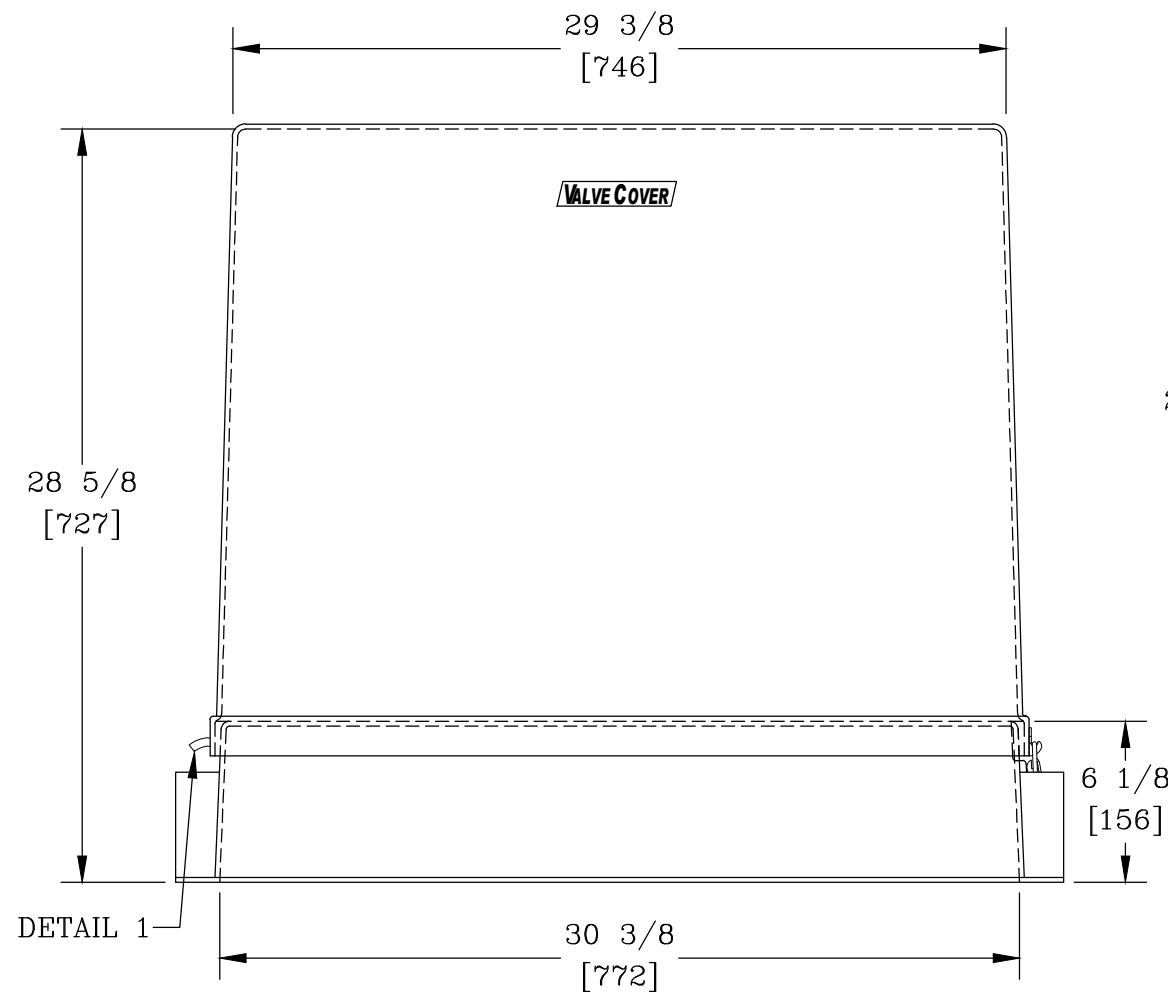
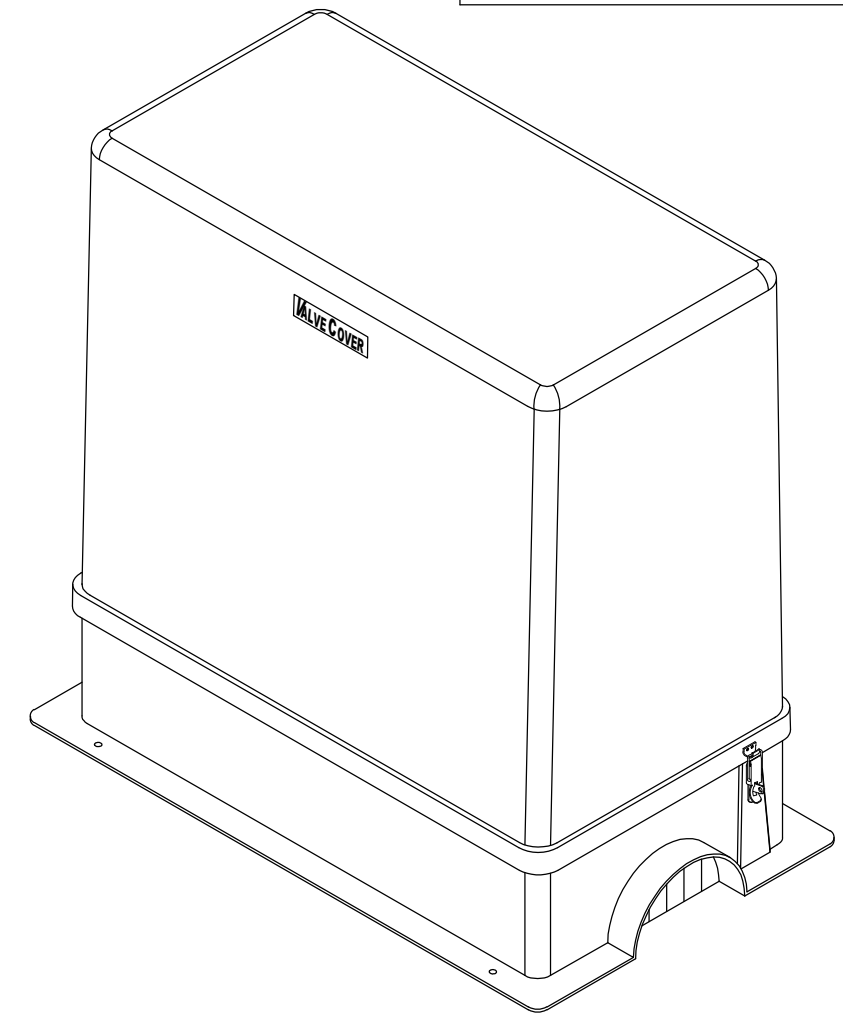
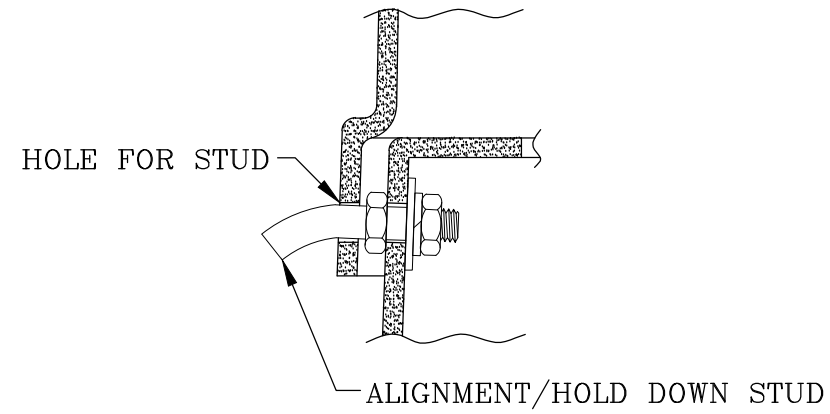
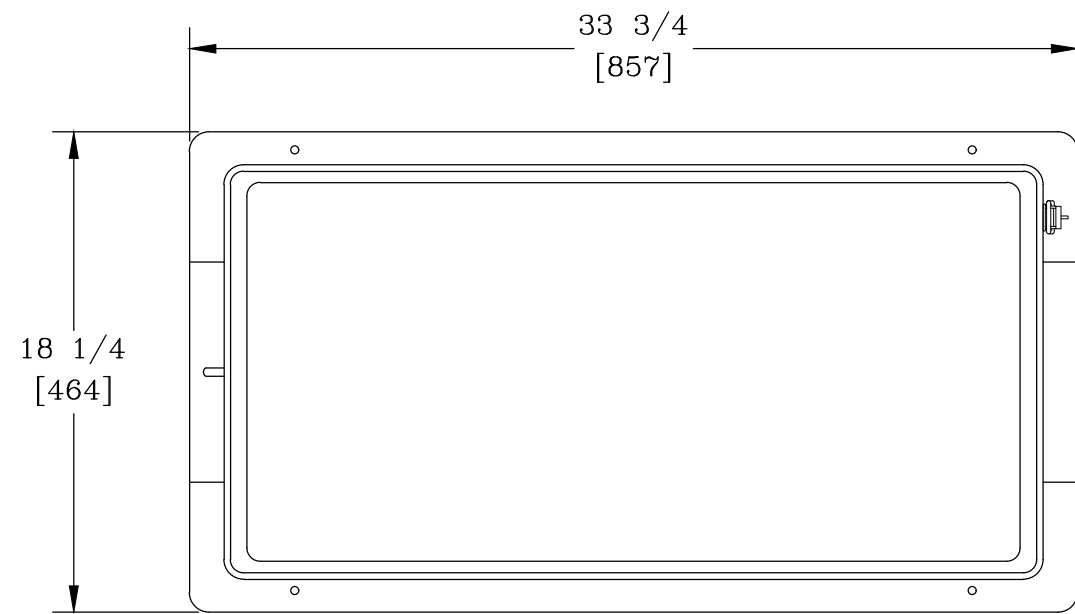



CUSTOMER APPROVAL

APPROVED BY: _____
DATE: _____



NOTES:

- INSULATION AND HEAT IS NOT PROVIDED WITH THIS ENCLOSURE.
- 1/4" X 2" HAMMER DRIVEN ANCHORS FOR MOUNTING THROUGH THE ANCHOR LIP ARE SUPPLIED WITH THE ENCLOSURE. (NOT SHOWN)
- STANDARD COLOR IS BEIGE. (OPTIONS AVAILABLE)
- FOR RECOMMENDED SLAB SIZE ADD 9" [229] TO THE ENCLOSURE EXTERIOR.

HOTBOX ENCLOSURES ARE NON-RETURNABLE. A SIGNED DRAWING MUST BE RETURNED AT THE TIME OF ORDER. DIMENSIONS ARE IN INCHES OR MILLIMETERS IN BRACKETS UNLESS OTHERWISE NOTED.					
DRN	BY	DATE	WEIGHT		LOC
CHK	ENG	APR	47# 21kg		LC
APR	APR	APR	SCALE	DRAWING DESCRIPTION	REV
			1 1/2"=1'		
			SIZE		
PROJECT NUMBER			DRAWING NUMBER		
111401			VC012026028		
SHEET 1 OF 1				VC012026028	

3621 INDUSTRIAL PARK DR
LENOIR CITY, TN 37771
800-346-3062
www.hot-box.com

HOT BOX®
FIBERGLASS ENCLOSURE
VGVC2T