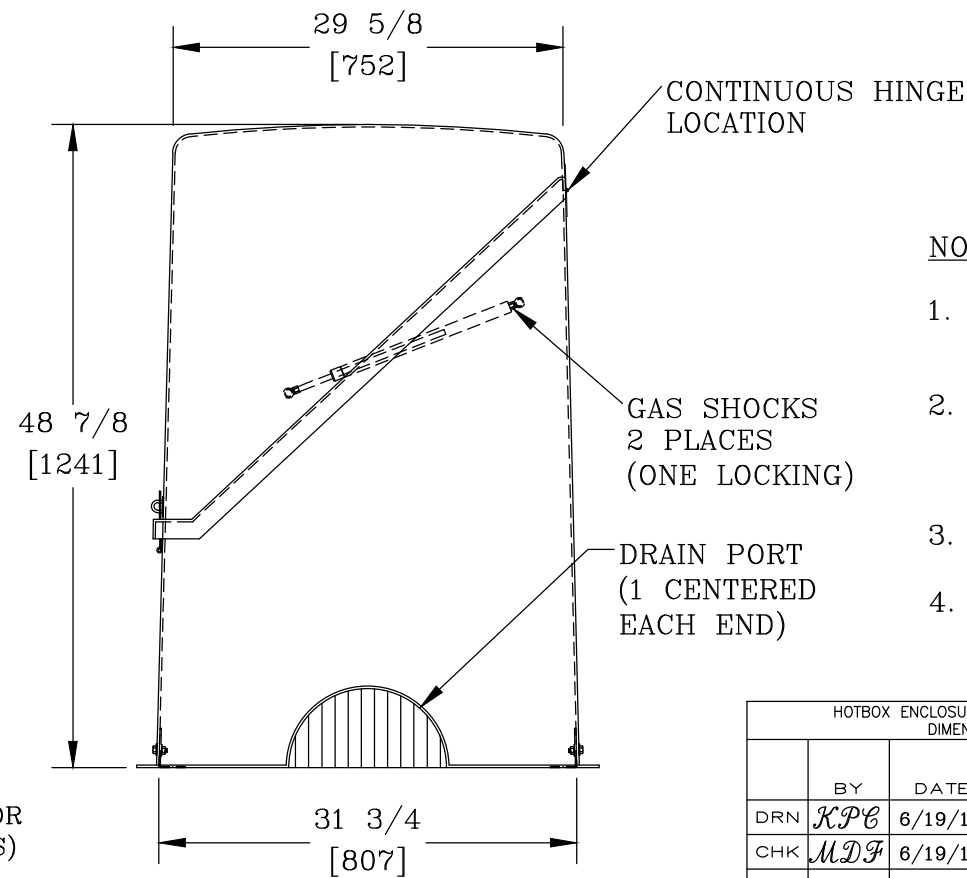
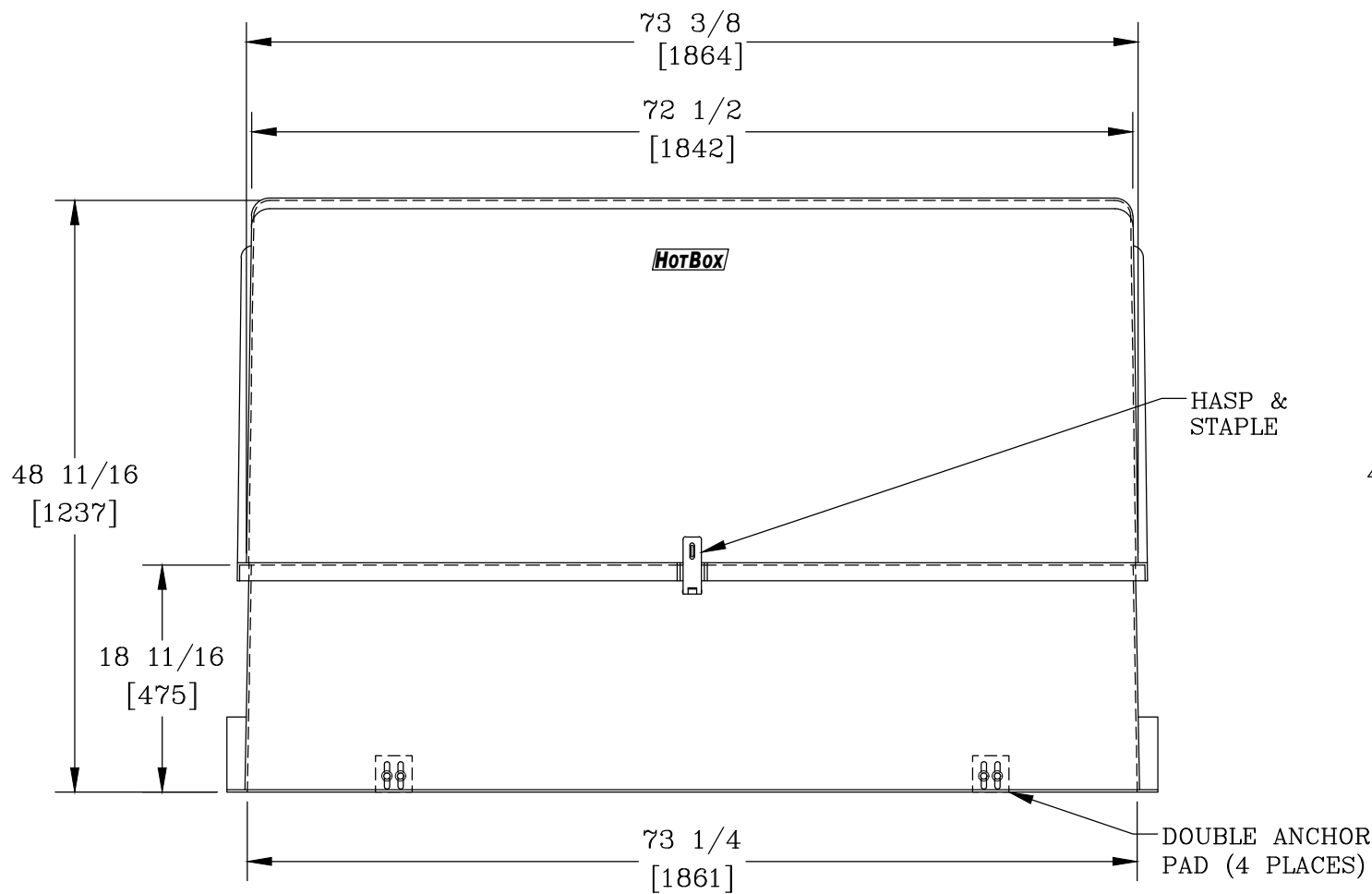



CUSTOMER APPROVAL

APPROVED BY: _____
 DATE: _____



NOTES:

1. INSULATION AND HEATER IS NOT PROVIDED WITH THIS ENCLOSURE.
2. INTERNAL BRACKETS AND CONCRETE ANCHORS ARE SUPPLIED WITH THE ENCLOSURE. (NOT SHOWN)
3. ENCLOSURE COLOR IS BEIGE.
4. FOR RECOMMENDED SLAB SIZE ADD 9" [229] TO THE ENCLOSURE EXTERIOR.

HOTBOX ENCLOSURES ARE NON-RETURNABLE. A SIGNED DRAWING MUST BE RETURNED AT THE TIME OF ORDER. DIMENSIONS ARE IN INCHES OR MILLIMETERS IN BRACKETS UNLESS OTHERWISE NOTED.					
	BY	DATE	WEIGHT 206# 94kg		3621 INDUSTRIAL PARK DR LENOIR CITY, TN 37771 800-346-3062 www.hot-box.com
DRN	KPC	6/19/12	SCALE 3/4"=1'	DRAWING DESCRIPTION HOT BOX® FIBERGLASS FLIP TOP ENCLOSURE VG3N	LOC LC
CHK	MDP	6/19/12			REV A
ENG			SIZE B		6/12
APR					
APR					
PROJECT NUMBER 09937			DRAWING NUMBER VF026070045		SHEET 1 OF 1