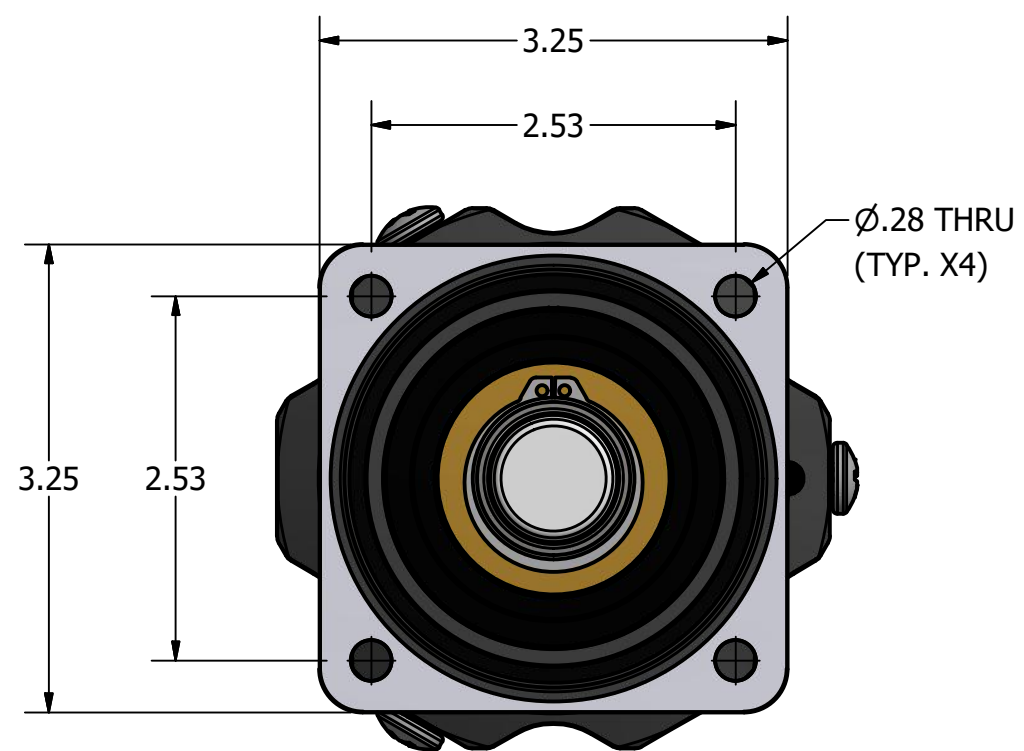
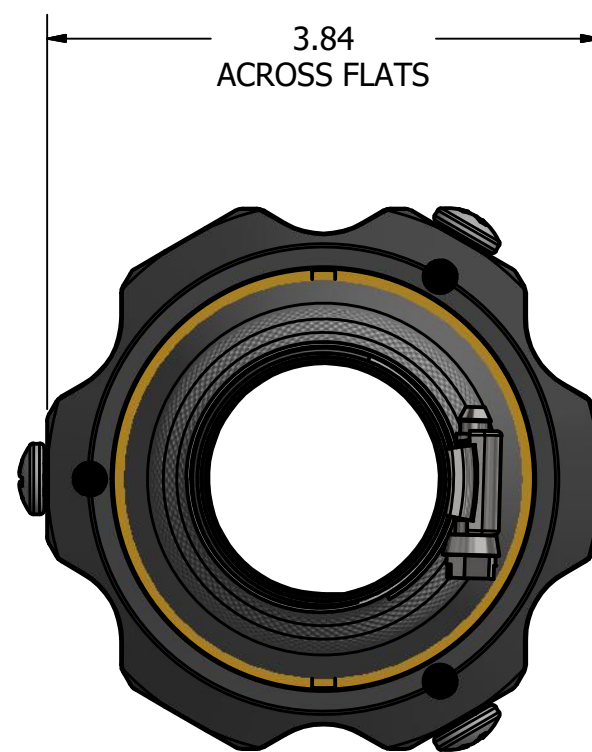


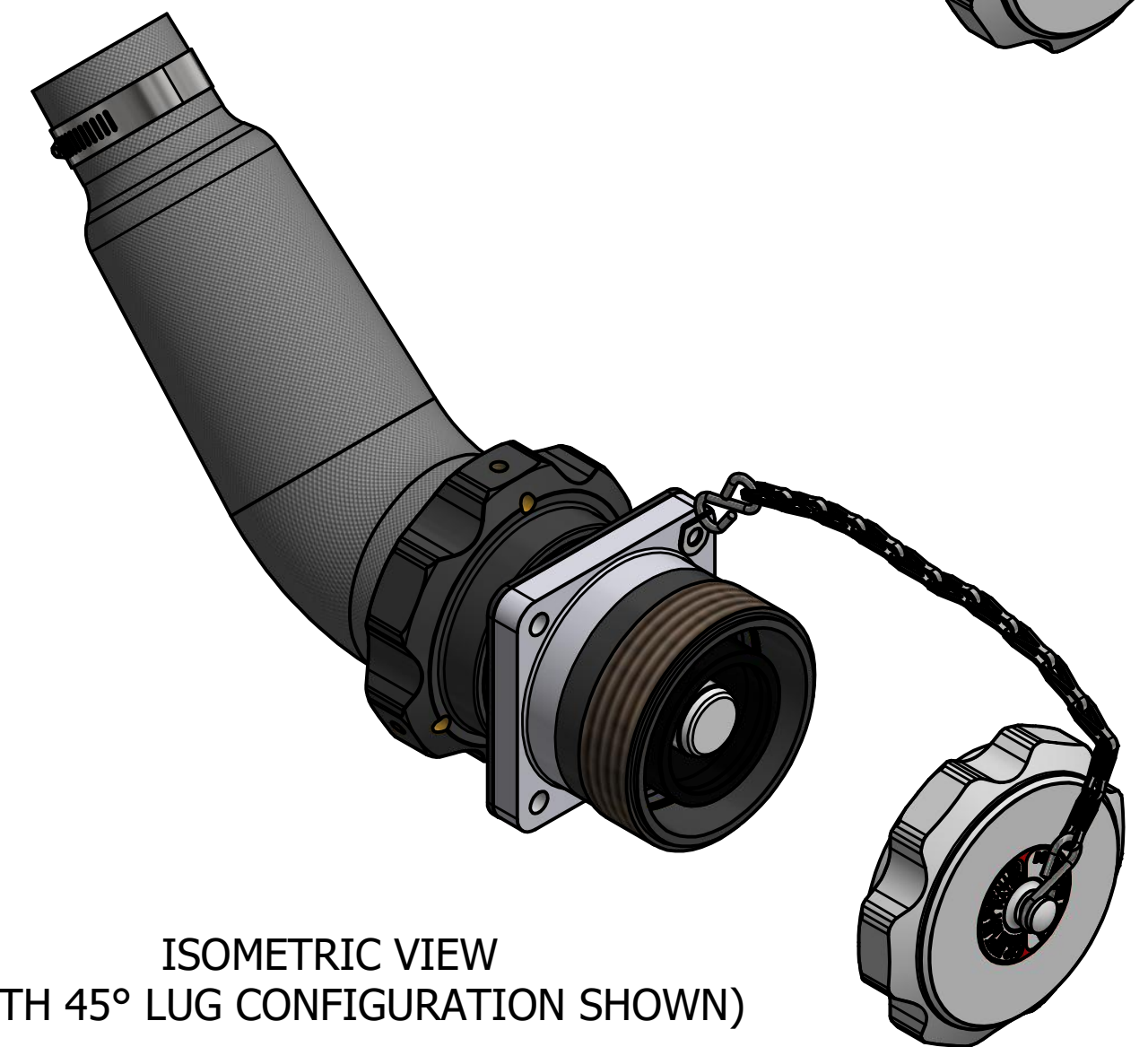
ISOMETRIC VIEW  
SCALE .5




FRONT VIEW  
(DISPLAYED WITHOUT CAP)



GLAND NUT DETAIL



ISOMETRIC VIEW  
(WITH 45° LUG CONFIGURATION SHOWN)

P/N	N/A
 <b>KILLARK</b>	<small>THIS DOCUMENT IS THE PROPERTY OF KILLARK. IT IS LOANED TO YOU AND MUST NOT BE USED IN ANY WAY DETRIMENTAL TO THE INTEREST OF KILLARK.</small>
DESCRIPTION: VFD-1 RECEPTACLE ASSEMBLY WITH BRAID SHIELD RIGPOWER	
DR. BY: Enappier 8/5/2019	REL PROD:
CK. BY:	REL TOOL:
SCALE:	REL DES:
MATERIAL:	N/A
PROJECT NO:	SHEET 1 OF 1