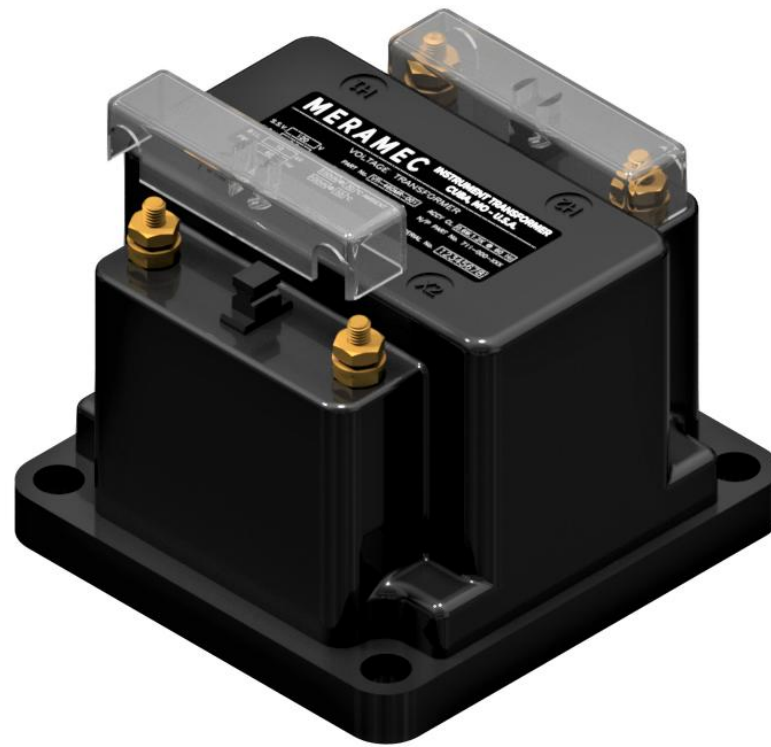


(4) MOUNTING HOLES 0.42 in [11 mm] DIA.



CATALOGUE NUMBER	VOLTAGE RATING	RATIO
VTI-460-069	69.3:120	0.58:1
VTI-460-120	120:120	1:1
VTI-460-208	208:120	1.73:1
4 VTI-460-208F	208:120	1.73:1
VTI-460-240	240:120	2:1
VTI-460-277	277:120	2.31:1
VTI-460-288	288:120	2.4:1
VTI-460-300	300:120	2.5:1
VTI-460-346	346:120	2.88:1
VTI-460-480	(*)480:120	4:1
VTI-460-600	(*)600:120	5:1

WITH TWO EXCEPTIONS THESE TRANSFORMERS MEET ANSI C57.13 (GROUP 1). THOSE MARKED (*) ARE GROUP 2.

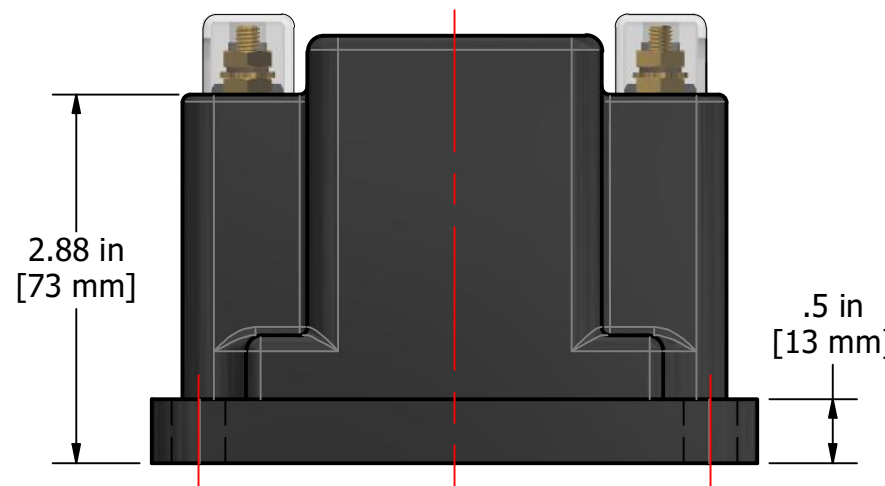
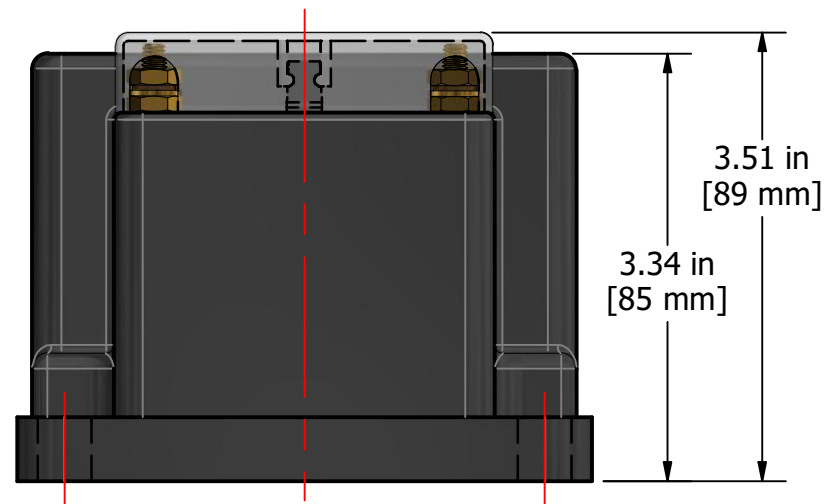
ELECTRICAL SPECIFICATIONS:

- INSULATION CLASS: 0.6kV, 10kV BIL. FULL WAVE
- STANDARD SECONDARY VOLTAGE: 120V
- ACCURACY CLASS: 0.6W, 1.2X @ 60Hz
- RATED FREQUENCY: 60Hz
- THERMAL BURDEN RATING: 150VA @ 30°C AMBIENT
100VA @ 55°C AMBIENT
- APPROXIMATE NET WEIGHT: 7.8 LBS [3.54 kg].

NOTES:

1. CORE & COIL ASSEMBLY IS HOUSED IN A PLASTIC CASE MADE FROM NORYL AND FILLED WITH A POLYURETHANE RESIN COMPOUND.
2. TERMINALS ARE 10-32 BRASS STUDS WITH ONE FLAT & LOCK WASHER BETWEEN TWO REGULAR NUTS, PROVIDED WITH A REMOVABLE & SEALABLE PLASTIC COVER.
3. THESE TRANSFORMERS ARE DESIGNED FOR LINE-TO-LINE OPERATION BUT MAY ALSO BE USED LINE-TO-GROUND OR LINE-TO-NEUTRAL CONFIGURATION AT 58% OF RATED VOLTAGE.

4 OPTION WITH **EXTERNALLY** MOUNTED 5A FUSE ON X2. (FUSE NOT USED FOR VT)



REV	BY	DATE	DESCRIPTION
01	JH	07/23/2020	ADDED NOTE 4 & FUSE OPTION FOR VTI-460-208

CONFIDENTIAL and PROPRIETARY
 This document and the information contained herein are the exclusive property of Meramec Instrument Transformer. It shall be returned to Meramec upon request and shall not be reproduced in whole or in part, disclosed to anyone else, or used without the expressed written consent of Meramec Instrument Transformer.
THIS PRINT WAS CAD GENERATED

TITLE: VOLTAGE TRANSFORMER, INDOOR 120V	3rd ANGLE PROJECTION
TOLERANCES EXCEPT WHERE NOTED, IN [mm] FRACT ± 1/32" 2 PL DEC. ± 0.02 [0.51]	
ANGLE ± 1° 3 PL DEC. ± 0.005 [0.127]	
DRAWN: Jeff Harris	DATE: 2/7/2019
APPROVED: Serhat Tekin	DATE: 2/19/2019

MERAMEC
 Instrument Transformer Co.
 1 Andrews Way, Cuba, Missouri 65453
 Phone (573) 885 2521 Fax (573) 885 2543

LOCATION: \\MTMAIN\Engineering\Secure\Drawings\Outline Drawings\VTs Low Voltage - Indoor\VTI-460 Rev01.idw
 DRAWING NUMBER: **VTI-460**

REV	SH	DE
01	1	1