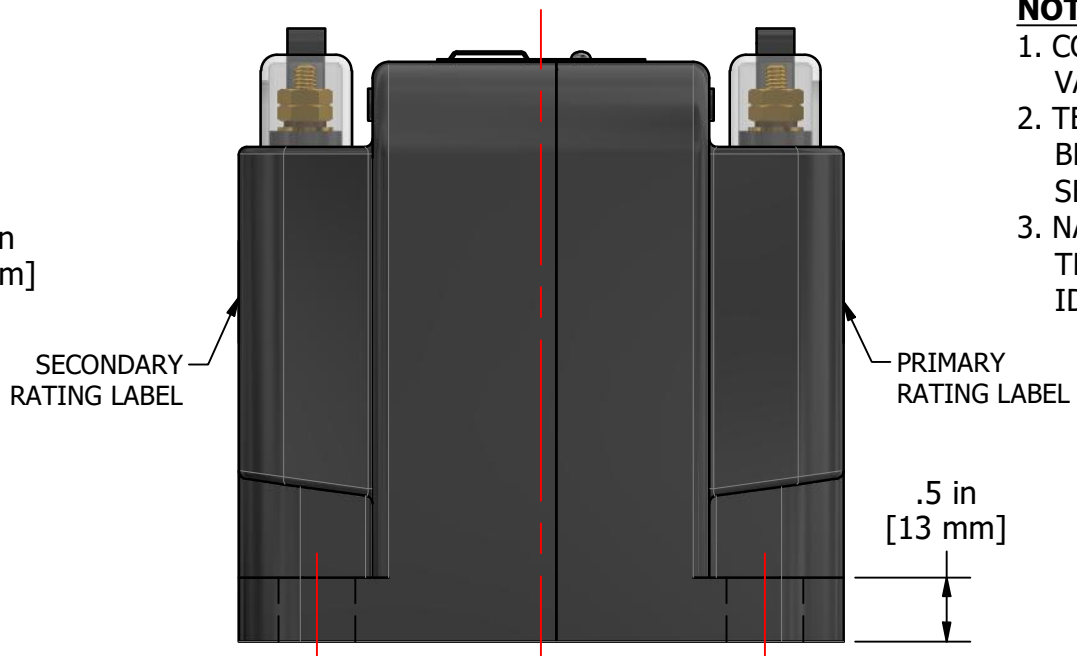
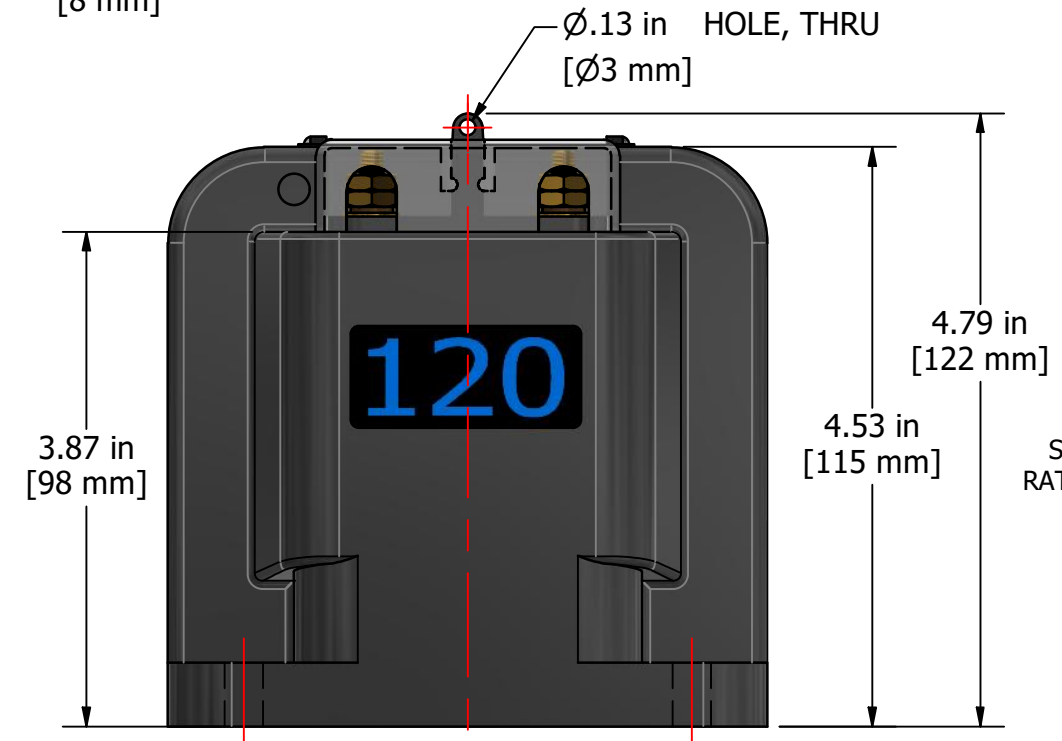


CATALOGUE NUMBER	VOLTAGE RATING	RATIO
VTO-120-120	120:120	1:1
VTO-120-240	240:120	2:1
VTO-120-288	288:120	2.4:1
VTO-120-300	300:120	2.5:1
VTO-120-480	480:120	4:1
VTO-120-600	600:120	5:1

- ELECTRICAL SPECIFICATIONS:**
- INSULATION CLASS: 0.6kV, 10kV BIL. FULL WAVE
 - STANDARD SECONDARY VOLTAGE: 120V
 - ACCURACY CLASS: 0.3W, 0.6X @ 60Hz
 - RATED FREQUENCY: 60Hz
 - THERMAL BURDEN RATING: 300VA @ 30°C AMBIENT
200VA @ 55°C AMBIENT
 - APPROXIMATE NET WEIGHT: 9.5 LBS [4.31 kg].



- NOTES:**
1. CORE & COIL ASSEMBLY IS HOUSED IN A PLASTIC CASE MADE FROM VALOX AND FILLED WITH A POLYURETHANE RESIN COMPOUND.
 2. TERMINALS ARE 10-32 BRASS STUDS WITH ONE FLAT & LOCK WASHER BETWEEN TWO REGULAR NUTS, PROVIDED WITH A REMOVABLE & SEALABLE PLASTIC COVER.
 3. NAMEPLATE IS LASER ENGRAVED ALUMINUM, MOUNTED ON THE TOP OF THE TRANSFORMER. PROVISION IS MADE FOR ATTACHING THE USER'S IDENTIFYING TAG.

REV	BY	DATE	DESCRIPTION
XX	XX	XX/XX/XXXX	
XX	XX	XX/XX/XXXX	

CONFIDENTIAL and PROPRIETARY
 This document and the information contained herein are the exclusive property of Meramec Instrument Transformer. It shall be returned to Meramec upon request and shall not be reproduced in whole or in part, disclosed to anyone else, or used without the expressed written consent of Meramec Instrument Transformer.
THIS PRINT WAS CAD GENERATED

TITLE: **VOLTAGE TRANSFORMER, OUTDOOR 120V**
 TOLERANCES EXCEPT WHERE NOTED, IN [mm]
 FRACT ± 1/32" 2 PL DEC. ± 0.02 [0.51]
 ANGLE ± 1° 3 PL DEC. ± 0.005 [0.127]
 DRAWN: Jeff Harris
 DATE: 2/7/2019
 APPROVED: Serhat Tekin
 DATE: 2/19/2019

LOCATION: \\MITHMAIN\Engineering\Secure\Drawings\Outline Drawings\WTS Low Voltage - Outdoor\VTO-120.idw
 DRAWING NUMBER: **VTO-120**
 REV: 00, SH: 1, DE: 1