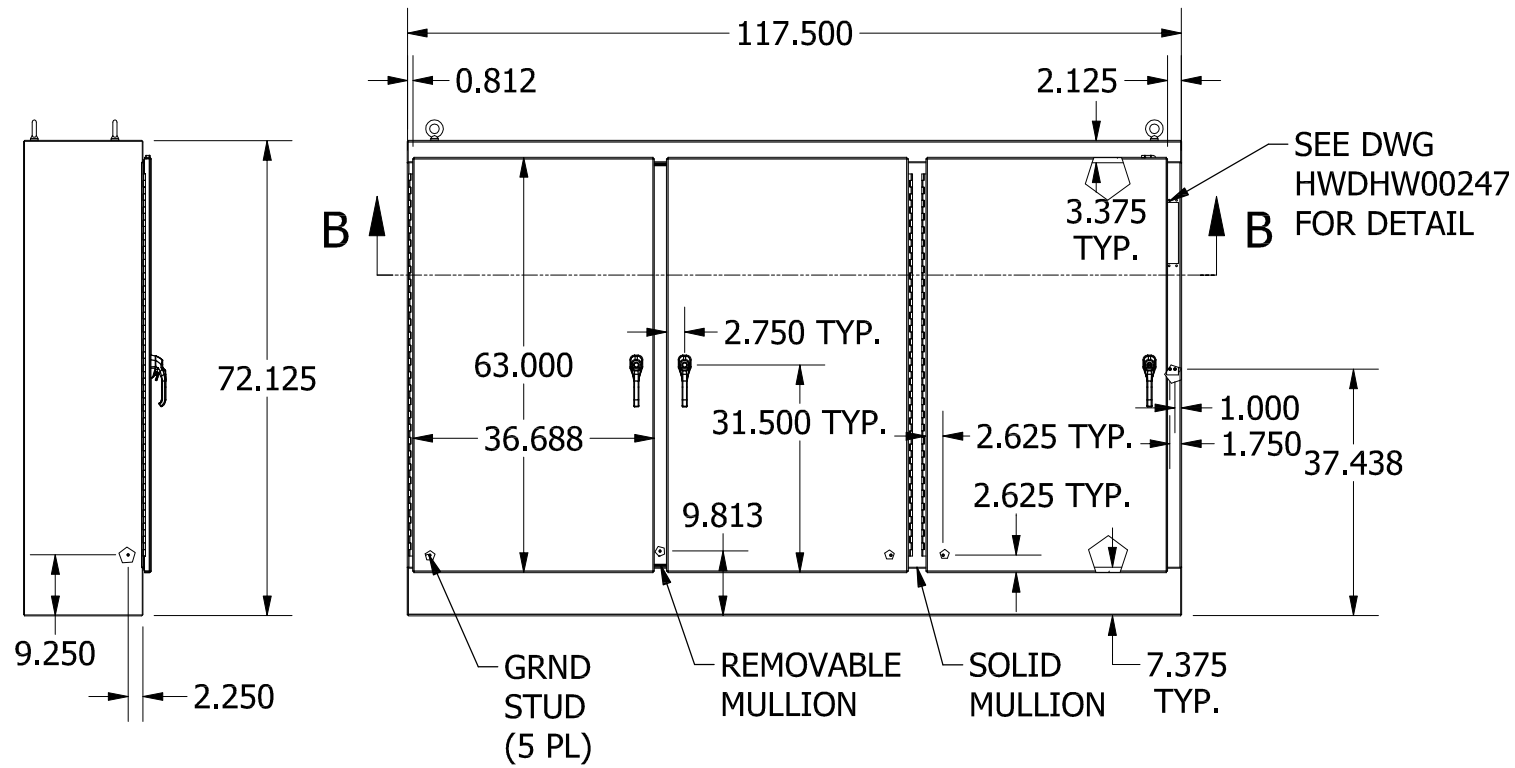
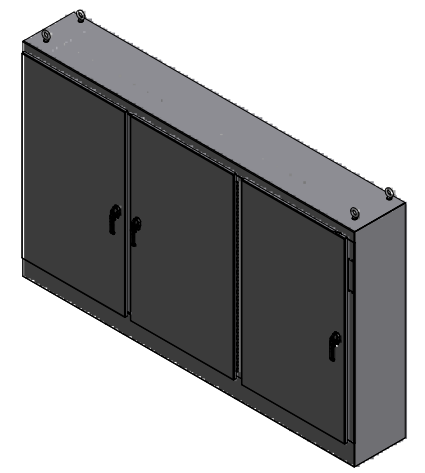
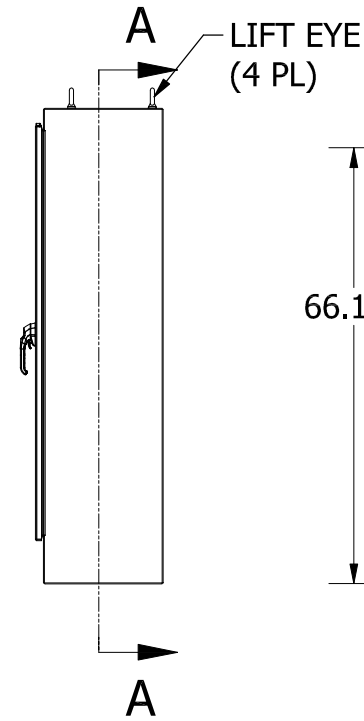


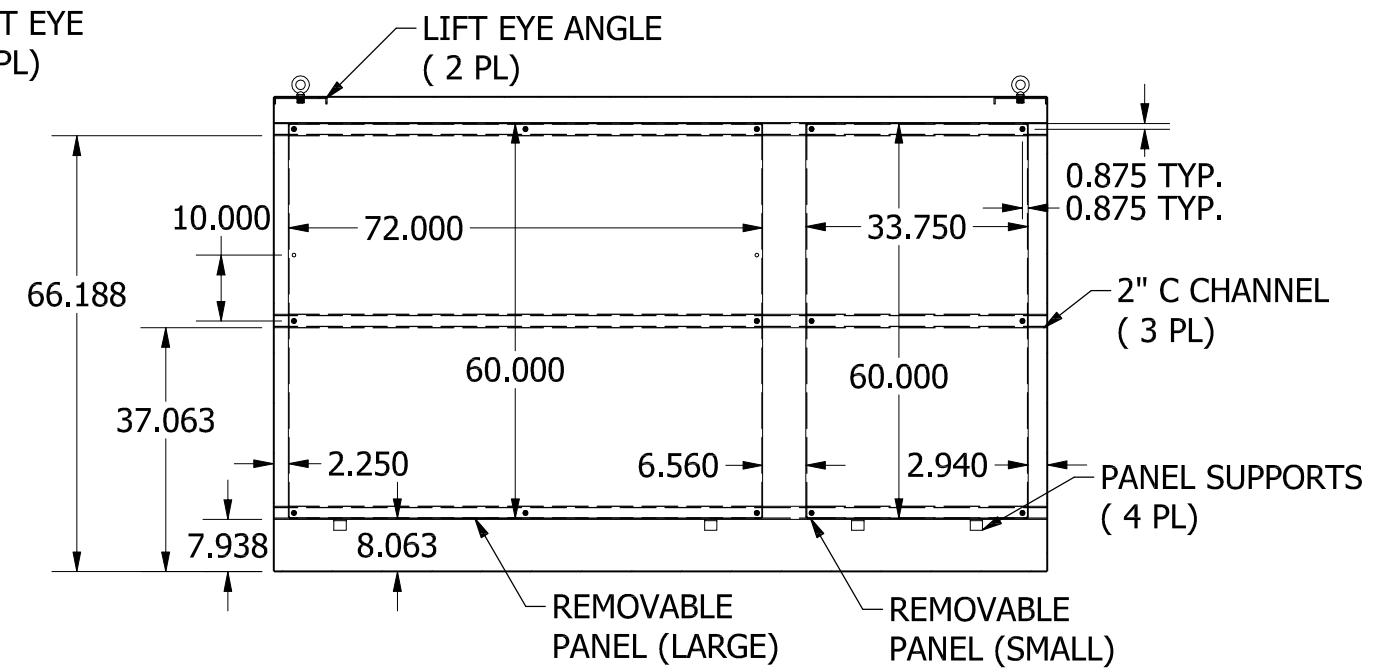
TOP VIEW



FRONT VIEW

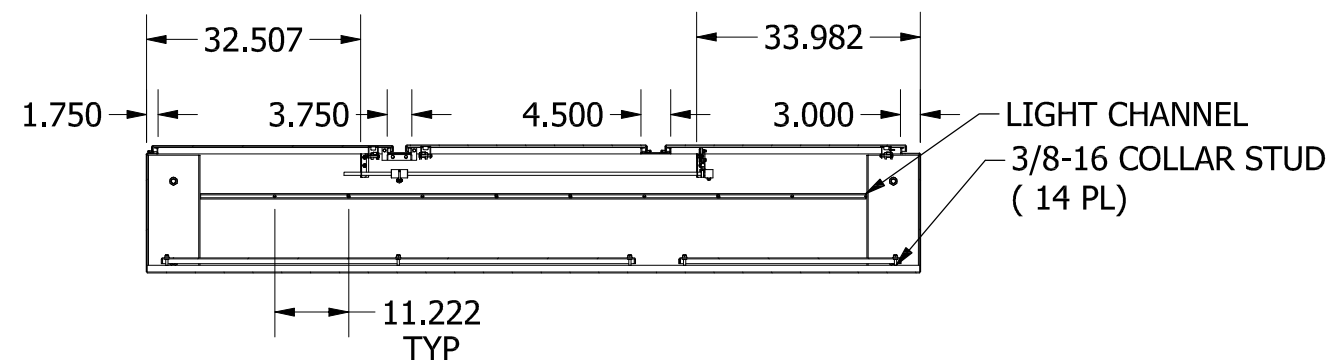


RIGHT VIEW



SECTION A-A

LEFT VIEW



SECTION B-B

PART#: WA72XM3EW18U
 (DATA SUBJECT TO CHANGE WITHOUT NOTICE)

THIS DRAWING IS PROPERTY OF HUBBELL INC. WIEGMANN
 ALL INFORMATION IS PROPRIETARY AND NOT TO BE DUPLICATED