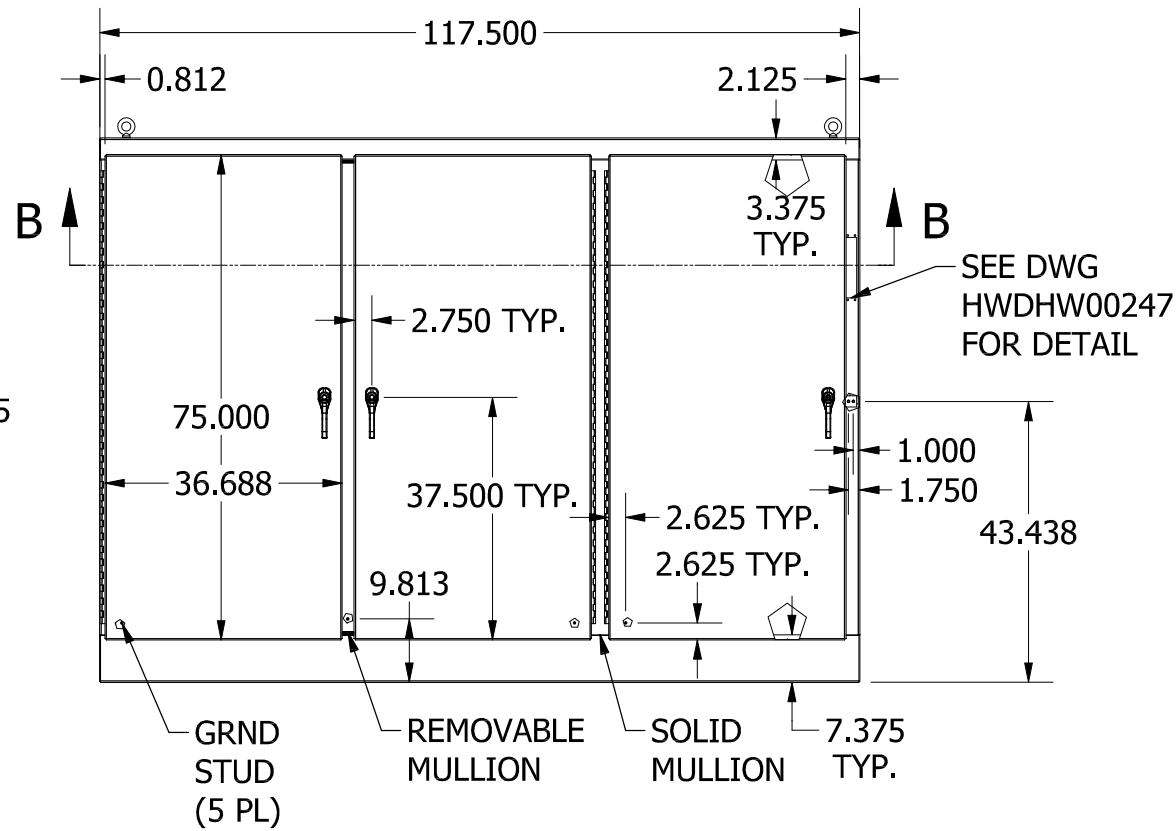
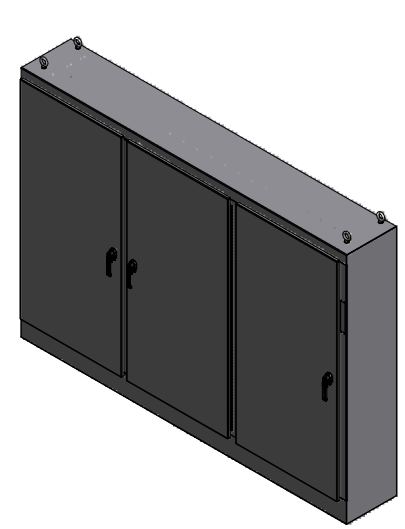
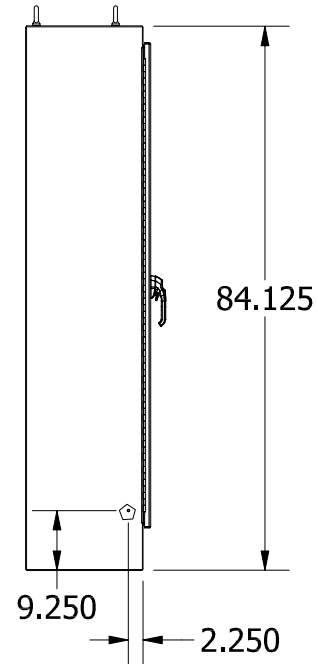


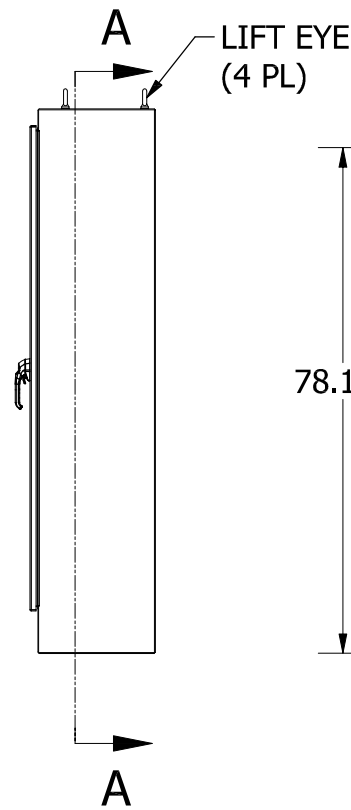
TOP VIEW



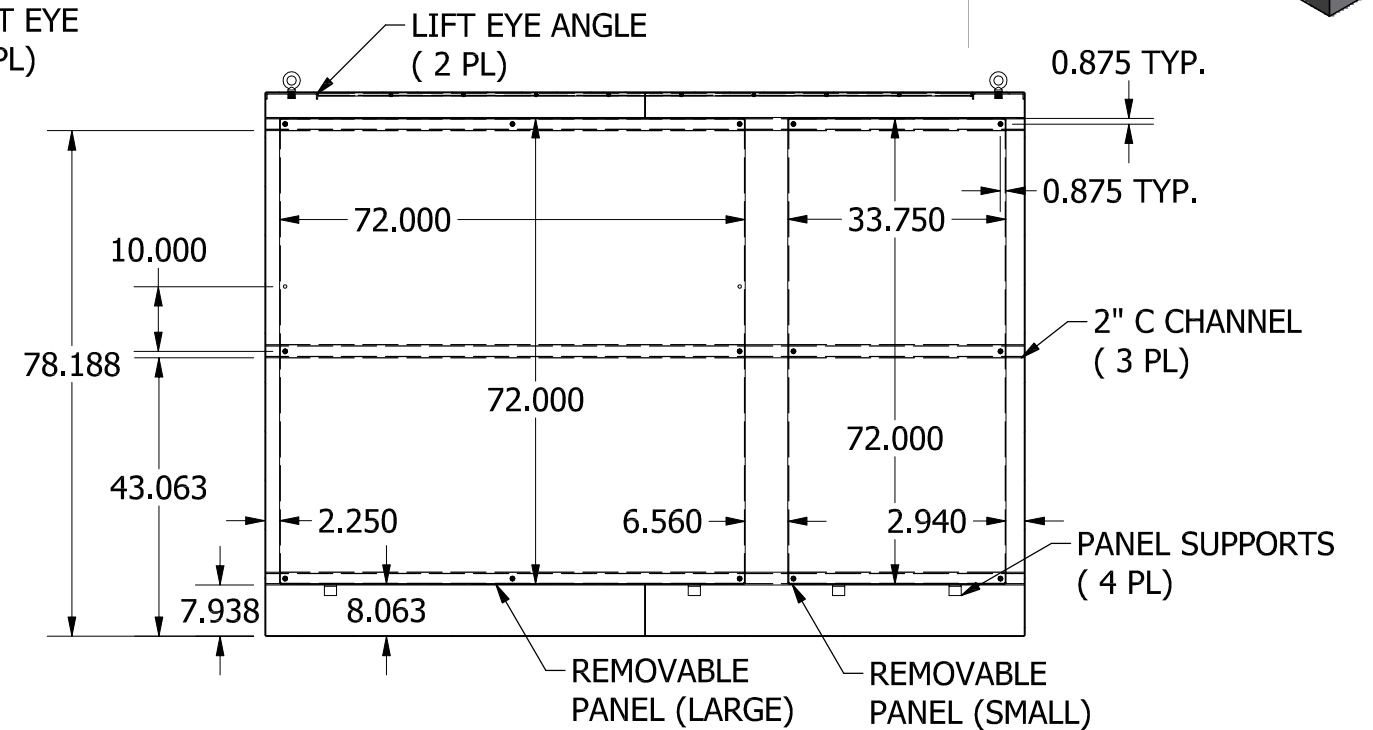
FRONT VIEW



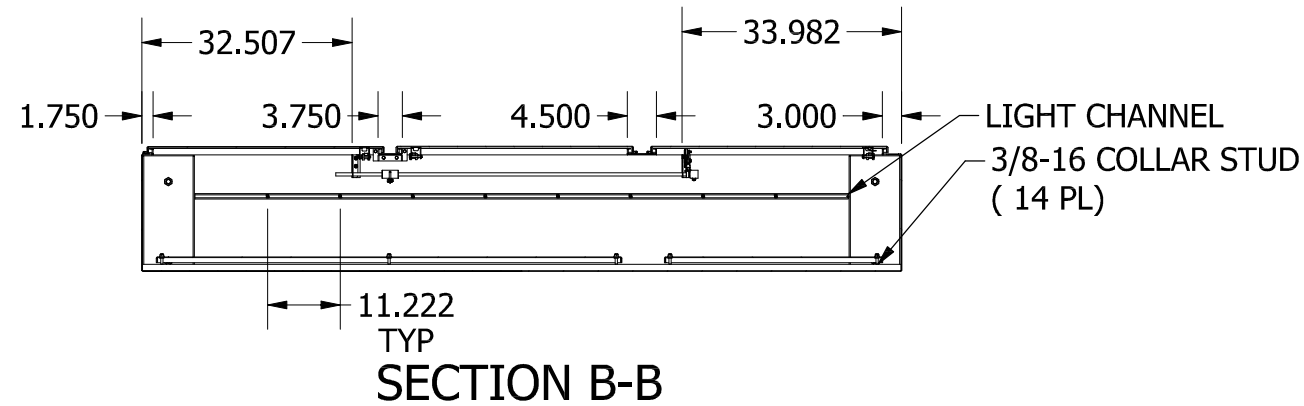
LEFT VIEW



RIGHT VIEW



SECTION A-A



SECTION B-B

PART#: WA84XM3EW18U  
 (DATA SUBJECT TO CHANGE WITHOUT NOTICE)

THIS DRAWING IS PROPERTY OF HUBBELL INC. WIEGMANN  
 ALL INFORMATION IS PROPRIETARY AND NOT TO BE DUPLICATED