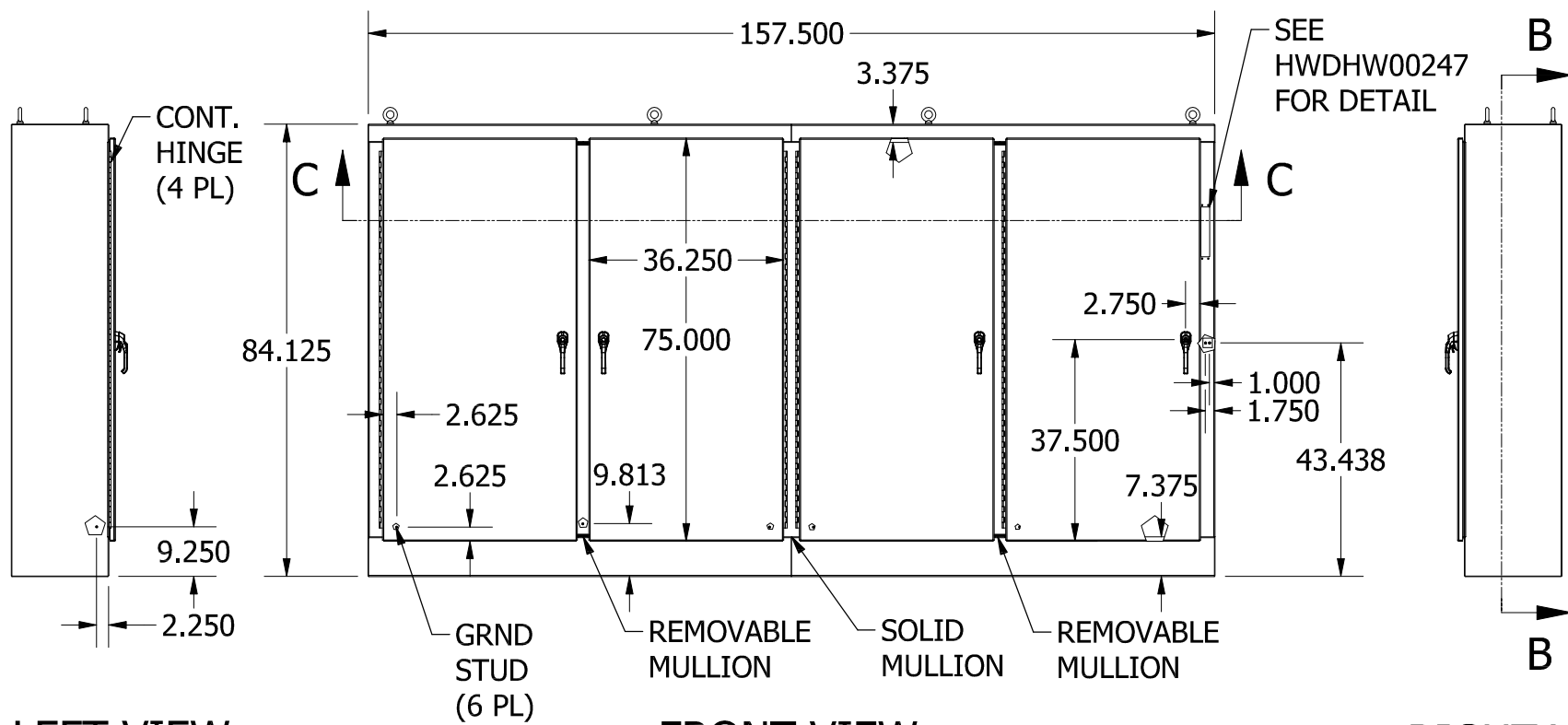
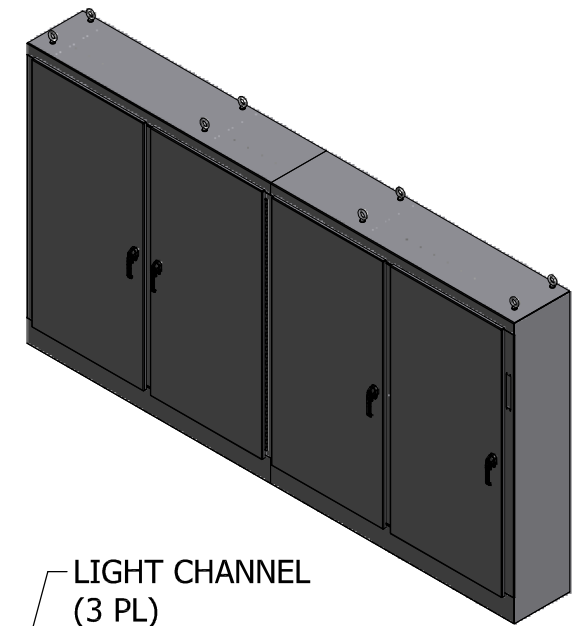
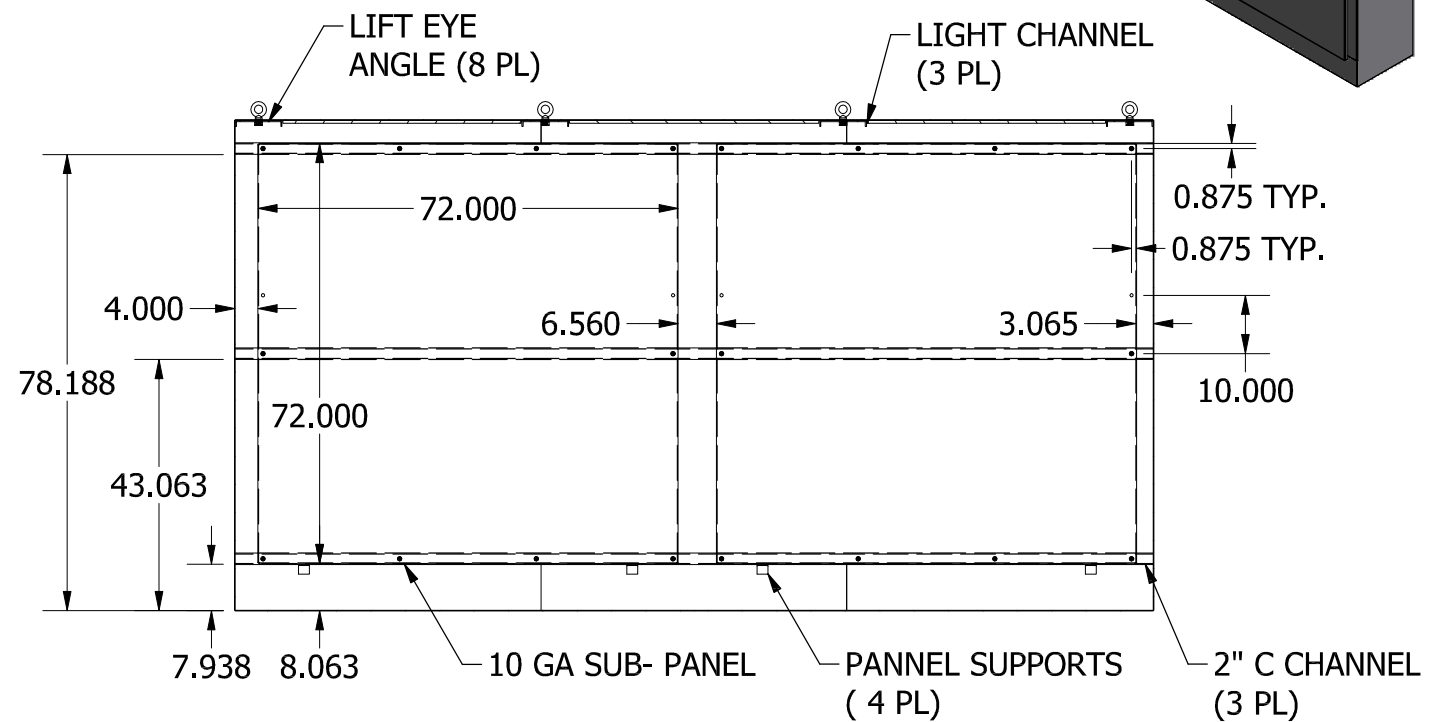


TOP VIEW



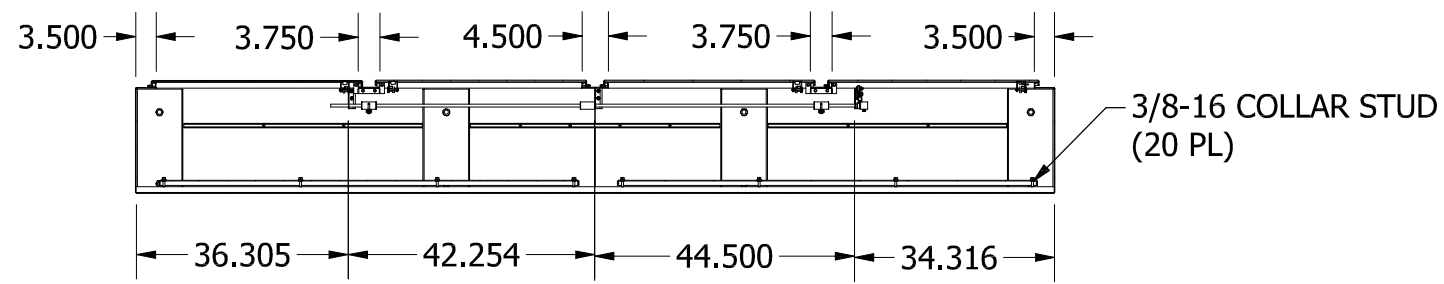
FRONT VIEW

LEFT VIEW



SECTION B-B

RIGHT VIEW



SECTION C-C

PART#: WAXM_FOUR_DOOR
(DATA SUBJECT TO CHANGE WITHOUT NOTICE)

THIS DRAWING IS PROPERTY OF HUBBELL INC. WIEGMANN
ALL INFORMATION IS PROPRIETARY AND NOT TO BE DUPLICATED