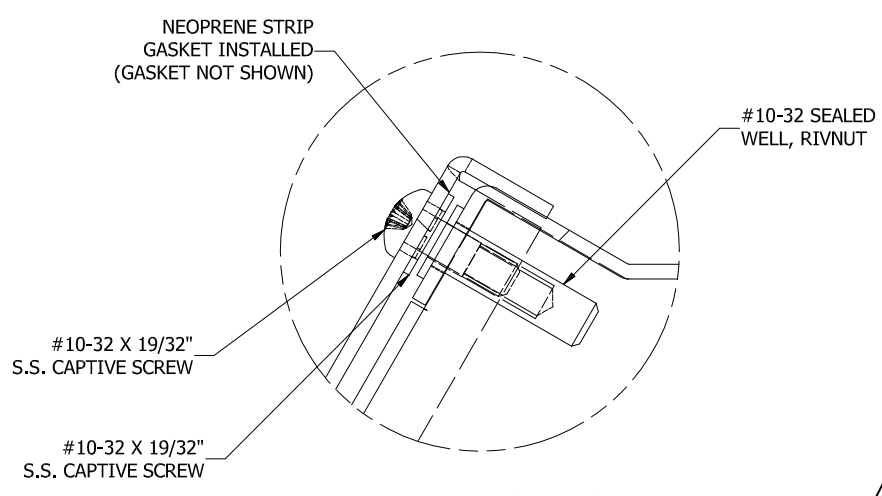
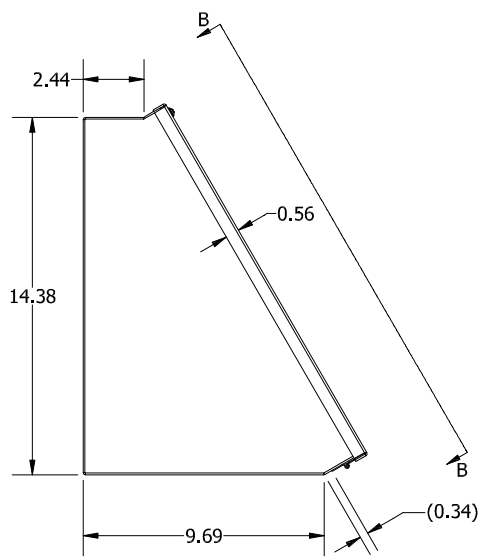
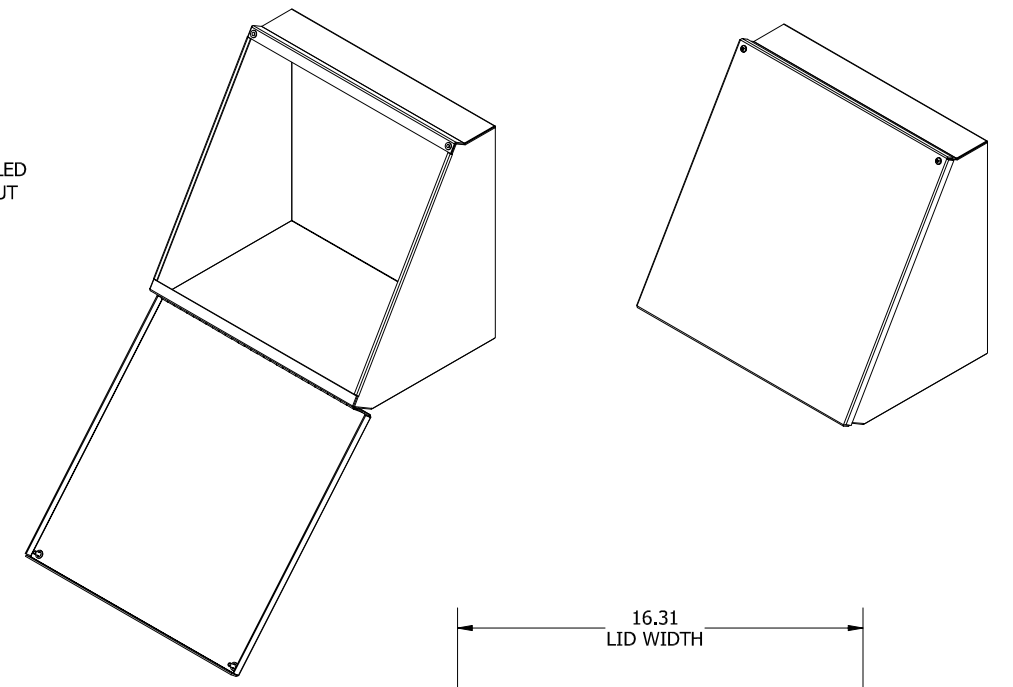


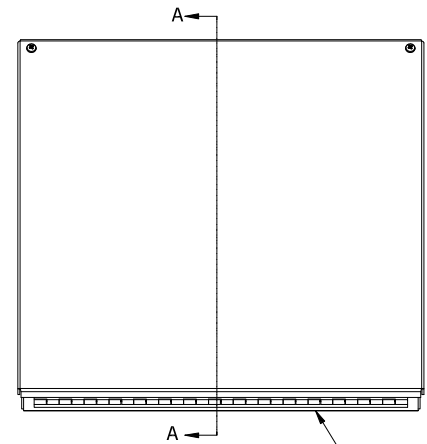
**VIEW B-B
(LID ASSM. REMOVED)**



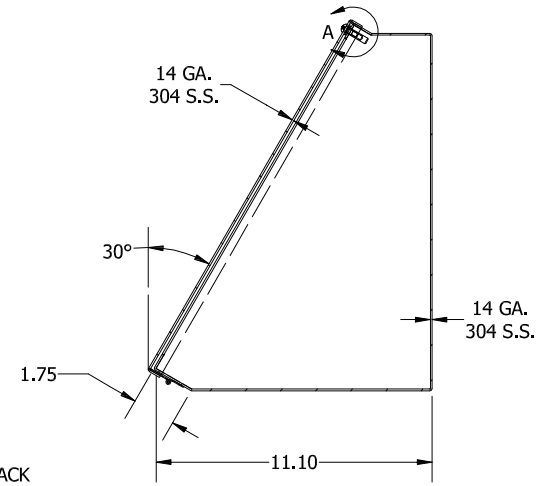
**DETAIL A (2 PL.)
(LID ATTACHMENT DETAIL)**



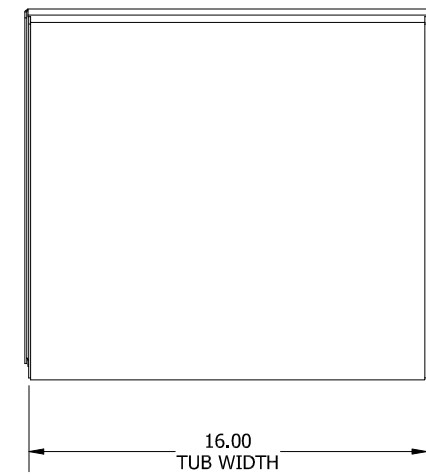
LEFT SIDE VIEW



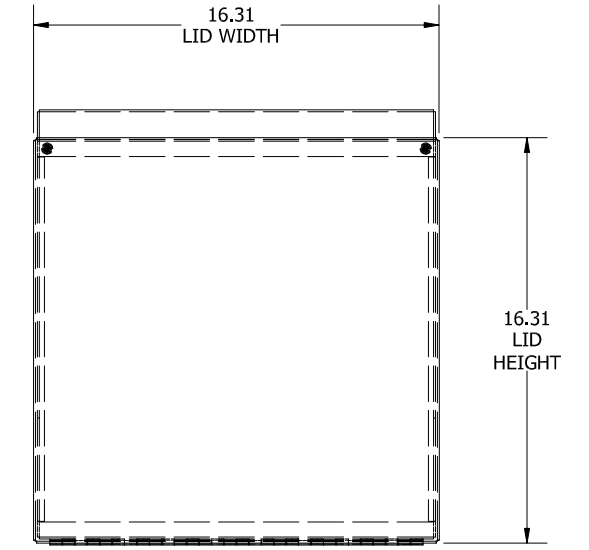
FRONT VIEW



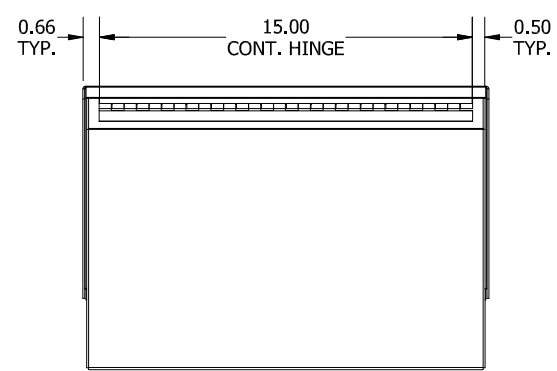
**SECTION A-A VIEW
(INSIDE LEFT OF ENCL.)**



BOTTOM VIEW



**SECTION B-B
(STRAIGHT AHEAD VIEW OF LID)**



REAR VIEW

PART#: WC 16C 16SS
(DATA SUBJECT TO CHANGE WITHOUT NOTICE)

THIS DRAWING IS PROPERTY OF HUBBELL INC. WIEGMANN
ALL INFORMATION IS PROPRIETARY AND NOT TO BE DUPLICATED